



Combo'Bedkit
// 4 colours*



*and 27 colours on request with a minimum order quantity.

COMBO'BEDKIT

VERTICAL BEDHEAD PROTECTION - 750 MM HIGH



APPLICATIONS

This protection has been especially designed to protect walls from bed impacts which are often moved around or elevated in bedrooms in all health buildings.

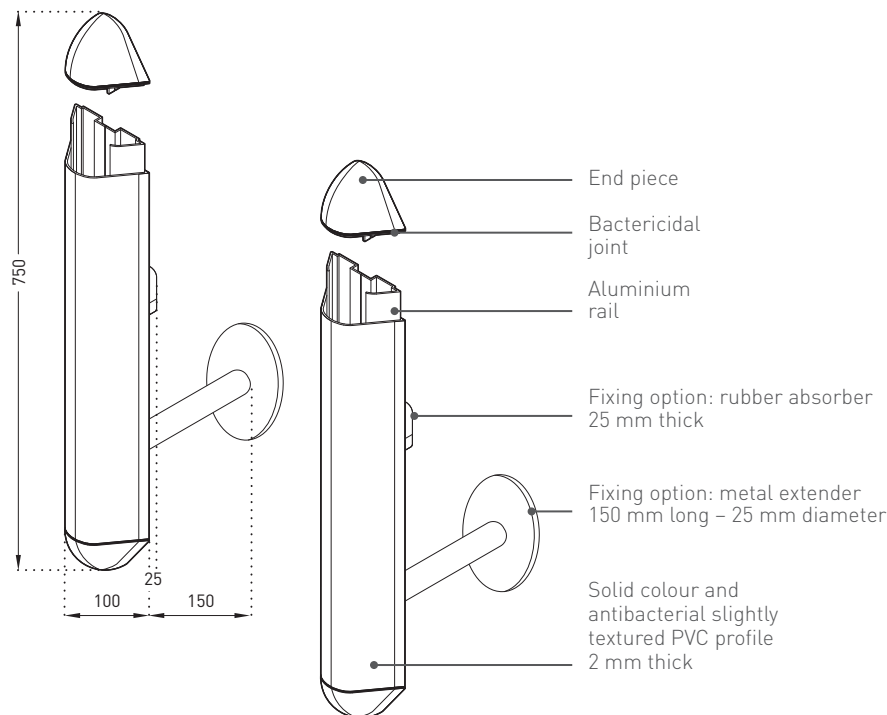
DESCRIPTION

- Model: Combo'Bedkit bedhead protection
- Height: 750 mm
- Width: 100 mm
- Projection:
 - 75 mm (rubber absorber)
 - 200 mm (metal extender)
- Material: 2 mm thick, antibacterial PVC and Bs2d0 fire-rated, solid colour
- Surface finish: slightly textured ["Optimixt" grain*]
- Fixing: of the aluminium rail onto the rubber absorbers or the metal extenders with metal expansion plugs
- Colours: 4 standard

* "Optimixt" grain: optimal combination of scratch resistance, hygiene and aesthetic.

SPECIFICATION

- Description: double vertical bedhead protection (Combo'Bedkit as manufactured by SPM) from slightly textured (Optimixt grain as manufactured by SPM) and antibacterial PVC achieving Bs2d0 fire rating with solid colour. It comprises vertical PVC profile to snap-fix onto aluminium rail with 2 end pieces. It projects 75 mm (on rubber absorbers) or 200 mm (on metal extenders), is 750 mm high and 100 mm wide. These parts fit together on 2 rubber absorbers (25 mm thick) or on 2 metal extenders (150 mm long).
- Environment: no heavy metals and no substance potentially subjected to any REACH restriction are used in its manufacture, nor PBT/BPA. The calcium-zinc thermal stabilisation process is used. The emission level of volatile substance in inside air has been tested according to ISO 16000-6 and is very low (A+) according to the French regulation (23 March 2011 nr 2011-321 Decree and 19 April 2011 Order). 100% of the product are recyclable.
- Colour: selected by architects from manufacturer's standard range.
- Installation method: fixes aluminium rail onto the rubber absorbers or the metal extenders then the end pieces and snap-fixes onto the PVC profile.



Specifications and section drawings on our website www.spm-international.com



bimobject BimObject in Revit and Archicad