



Combo'Punch 200

Combo'Punch 125



# COMBO'PUNCH

## WALL PROTECTION RAILS - 200/125 MM HIGH



### APPLICATIONS

These wall protection rails are designed to offer impact protection and scratch resistance against damage caused from both pedestrian and wheeled traffic.

One or two level protection, Combo'Punch 200 and/or 125 protect the walls in corridors, access areas and storage rooms (hospitals, clinics, retirement homes, hotels, restaurants, schools).

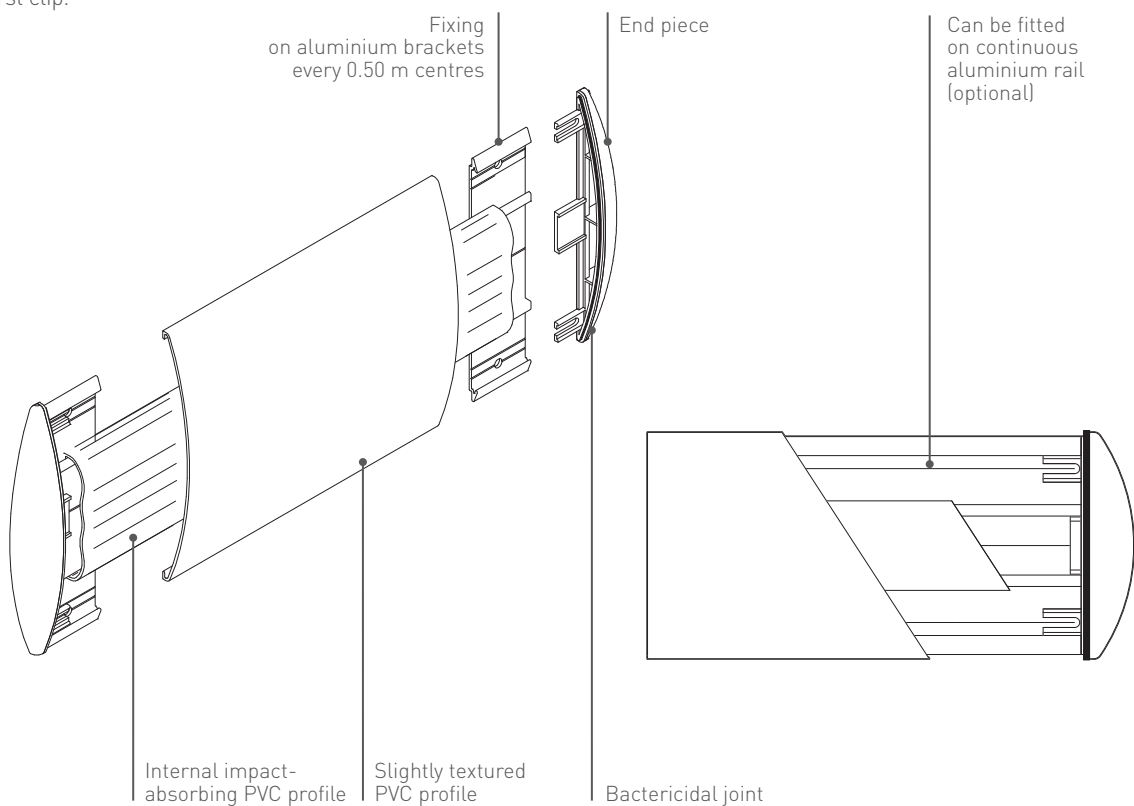
### DESCRIPTION

- Model: Combo'Punch 200 or 125 wall protection rail
- Height: 200 or 125 mm
- Depth: 25 mm
- Length: 4 m
- Material: 2 mm thick PVC, antibacterial and Bs2d0 fire-rated, solid colour
- Surface finish: slightly textured ("Optimixt" grain\*)
- Fixing components: aluminium brackets (optional: continuous aluminium rail)
- Colours: 4 standard

\*"Optimixt" grain: optimal combination of scratch resistance, hygiene and aesthetic.

### NOTA

The end piece serves as the first clip.



Specifications and section drawings on our website [www.spm-international.com](http://www.spm-international.com)

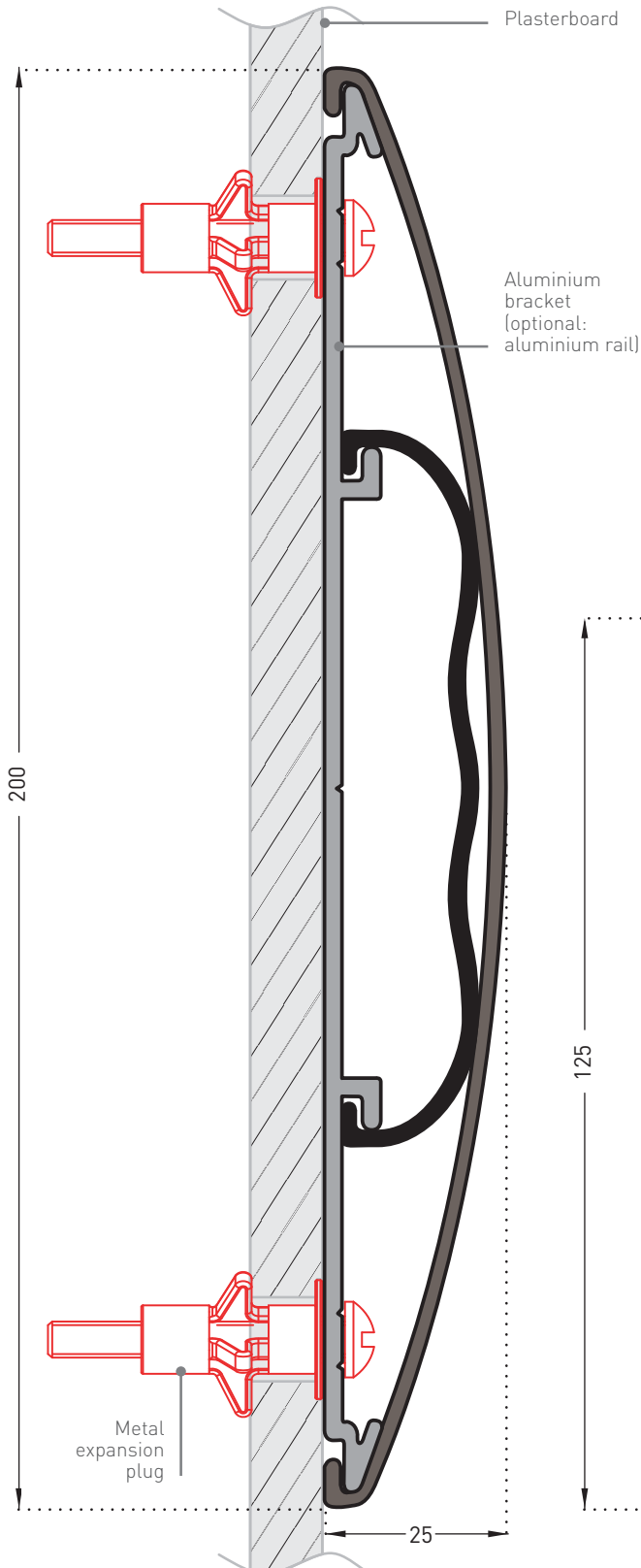


**bimobject**

BimObject in Revit and Archicad



\*and 27 colours on request with a minimum order quantity.



### SPECIFICATION

- Description: curved wall protection rail (Combo'Punch 200 or 125 as manufactured by SPM) from slightly textured (Optimixt grain as manufactured by SPM) and antibacterial PVC achieving Bs2d0 fire rating with solid colour. PVC profile projects 25 mm, is 200 or 125 mm high and 2 mm thick. It snap-fixes onto aluminium brackets or continuous aluminium rail (optional) with an internal impact-absorbing PVC profile. Finish is provided by slightly textured end pieces (27 mm wide).
- Environment: no heavy metals and no substance potentially subjected to any REACH restriction are used in its manufacture, nor PBT/BPA. The calcium-zinc thermal stabilisation process is used. The emission level of volatile substance in inside air has been tested according to ISO 16000-6 and is very low (A+) according to the French regulation (23 March 2011 nr 2011-321 Decree and 19 April 2011 Order). 100% of the product are recyclable.
- Colour: selected by architects from manufacturer's standard range.
- Installation method: recommended height of protection rail centreline 0.80 m above floor level for mid-level wall protection or on top of the skirting for low level wall protection. Snap-fixes onto aluminium brackets spaced at 0.50 m centres or continuous aluminium rail (optional).

