



2023
Collection

Wall Protections & Handrails

Spm[®]
wall protection

CONTENTS

INTRODUCTION	4/15
• About us	4/5
• 100% HEALTH	6/7
• Priority to hygiene	8/9
• Resistance and protection	10/11
• A range that respects the environment	12/13
• SPM continues to innovate for you	14/15
SELECTION GUIDE: specific solution per sector	16/37
• Specific solutions per sector	16/17
• Hospitals - Clinics	18/21
• Retirement homes - Disability Centers	22/25
• Education	26/29
• Offices - Hotels - Catering - Housing	30/33
• Shops - Sport - Industry	34/37
NEW COLOUR RANGE	38/43
• A palette of 39 colours	38/39
• Decowood range	40/41
• Decotrend range	42
• Safy range "individual protection"	43
• A practical guide	44/45
WALL PROTECTION	46/77
SPM has developed a range of three products that have been tested: wall protection rails, protection plates and the protection and covering panels.	
CORNER PROTECTION	78/89
Our corner protectors are adhesived or with aluminium core and can be applied to all corners, whether right angled or not. All have the same properties: they resist impact and effects of cleaning products.	
DOOR PROTECTION	90/101
SPM has developed a range of plates and panels to suit all types of door. The panels come in a variety of original and decorative shapes and can be folded into L and U bends to protect edges or can be thermoformed to protect frames.	
HANDRAILS	102/125
They are ergonomic, and also provide wall protection. SPM handrails are made from a combination of PVC and aluminium and cater for all your needs: they ensure mobility and provide security, and can be adapted to fit any building (curved surfaces, corners at variable angles, service ducts, staircases...).	
SPECIFIC PROTECTION	126/133
• Individual protection	126/129
• Industrial protection	130/133
TECHNICAL SOLUTIONS	134/139
• Solutions for panels: thermowelding, thermoforming, reinforcement and protection	134/135
• Solutions for handrails	136/137
• Tools	138/139
PHOTO BOOK	140/163
COLOUR AVAILABILITY SUMMARY CHART	164/167
DOCUMENTS AND SAMPLE CARDS AVAILABLE	168/169
ALPHABETIC INDEX	170

ABOUT US

A GERFLOR GROUP COMPANY

• Wall Protections and Handrails Specialist

SPM, a Gerflor Group company, offers solutions for protecting walls, doors and corners and for assisting people moving around in compliance with legislation applicable to public buildings.

Present in **education, healthcare, housing, sport, hospitality, industry and shops markets...** and aware of the requirements of each, SPM develops products that are resistant to shocks, scratches, cleaning agents and disinfectants, Bs2d0 fire-rated and easy-to-install while adopting an environmentally responsible approach.

SPM wall protections and handrails blend seamlessly into all locations thanks to a **wide choice of colours and designs**.

Because providing you with solutions perfectly tailored to your needs has been our priority for more than 40 years, we have established sales divisions near you. In France and in other countries, your SPM contacts know your infrastructures, your requirements, those relevant to your sector of activity and can answer any technical questions you may have.



• Near you across the world

SPM has a very strong presence in France. For other markets, the company benefits from the experience and performance of a sales network developed by GERFLOR Group in more than 100 countries.



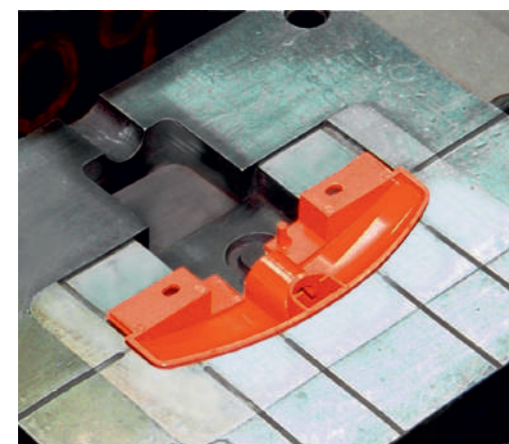
• An attentive and responsive team

- Tools to help you make your choice (brochures, technical specifications, colour charts, etc.)
- Experts present on-site to give you the best advice for your specific project
- Price offers and estimates calculated according to your precise needs
- An Engineering & Design Office at your service for custom projects
- Attractive pricing terms
- Quick delivery times
- Support with product installation



• An organizational system designed to support you well

- Marketing & Communication: responsible for our corporate image and product development, this department coordinates our quality approach across all markets.
- R&D: a true driving force in our business, this department creates, tests and develops protection solutions meeting your expectations.
- Sales Team: our male and female sales representatives have extensive technical knowledge. They assess your needs and adapt their advice accordingly, from invitations to tender through to installation.
- Production and Logistics: this department selects our suppliers from among leading players in each sector. Deploying modern and well-integrated production facilities, it manages all stages from the manufacturing process through to on-site delivery.
- Technical Assistance Support (TAS): our expert consultants visit your sites to give support. They also provide technical training on how to install our products (contact us).



Injection mould - Impact 200 end piece





AN ANTIBACTERIAL PVC MATERIAL

Our PVC products have been formulated to deliver bacteriostatic performance (prevent bacteria from spreading) and therefore antibacterial. The non-porous surface and rounded shape of each product can be credited to our extensive research efforts.

The entire SPM range has been specifically designed to ensure easier cleaning and prevent dust and germs from building up. Our products are compatible with the most demanding environments of hospital sector 4. (NOSOCO.TECH laboratories, test reports no. 10053101 and 10053102)



99% of bacteria eliminated after 24:00**
**according to JIS Z 2801 on staphylococcus aureus

HYGIENE AND MICROBIOLOGICAL DECONTAMINATION

SPM commissioned the hospital hygiene department of the Pasteur Institute laboratory in Lille, France, to examine the cleaning and decontamination performance of its products. The tests prove that SPM products, when cleaned with the standard methods, detergents and disinfectants used in hospitals, are capable of withstanding such cleaning products, produce effective levels of decontamination performance and are suitable for use in hospital environments, even in areas featuring the greatest risk of infection (risk groups 3 and 4). Full detailed reports are available on request. (Pasteur Institute Lille (France) test reports no. NC/0510506M, 0500506M and 1100908M)

PROVEN VIRUCIDAL ACTIVITY

SPM handrails act as a shield against hand-borne germs and represent an effective solution for helping prevent microorganisms from spreading and hospital-acquired infections from developing.

Laboratory tests carried out by skilled virologists have shown that SPM's PVC handrails offer 99.96% intrinsic virucidal activity against human coronavirus HCoV-229E after a contact time of two hours! By way of comparison, the virus is still active on a 304L stainless steel surface after five hours.

(Certificate available on request).



*virucidal activity against human coronavirus HCoV-229E according to ISO 21702

ARE YOU LOOKING FOR 100% BACTERICIDAL PERFORMANCE?

DELIVERING LONG-TERM PROTECTION AGAINST BACTERIA IS TOP OF THE SPM PRIORITY LIST!

Our bactericidal treatment process offers one of the highest performance levels. The results of our tests on several strains prove its ability to eliminate bacteria (including certain strains causing hospital-acquired infections).

Staphylococcus aureus	100% eliminated ⁽¹⁾
Escherichia coli	100% eliminated ⁽¹⁾
Salmonella enterica subsp.	100% eliminated ⁽¹⁾
Mycobacterium smegmatis	100% eliminated ⁽¹⁾
MRSA	99.99% eliminated
Listeria monocytogenes	99.99% eliminated
Enterococcus hirae	99.99% eliminated

(1) 99.999% / (2) 99.997% / (3) 99.996%

Intertek analysis report CHL-R16-1026A, according to ISO 22196

On request, SPM can carry out bactericidal treatment on Decochoc and Decoclean panels in every colour, including the entire range of PVC handrails. Contact us for details!





◀ Decoclean panel with bend

▲ Floor / Wall coving

CONTRIBUTING TO AIRBORNE PARTICULATE CLEANLINESS

Our DECOCLEAN smooth wall protection panel **has achieved ISO Class 5 certification according to ISO 14644-1** (Fraunhofer GE test report no. 1903-1106-4). Tests prove that this panel is **suitable for installation in cleanrooms and associated controlled environments**; rooms where airborne particulate contamination must be controlled in a manner to minimise the introduction, generation and retention of particles inside the space:

- Life sciences: pharmaceuticals, biotechnology, cosmetics, food & drink, etc.
- Leading-edge technology: aerospace, electronics, etc.



NUCLEAR DECONTAMINATION

DECOCHOC and DECOCLEAN wall protection panels have been tested according to DIN 25415 / ISO 8690 and awarded the **"Excellent" rating for their ability to decontaminate radioactively contaminated surfaces.**



CHEMICAL RESISTANCE

SPM products feature a specific formulation to withstand the main types of cleaning materials, disinfectants and antiseptic products commonly used in public buildings and healthcare facilities. SPM draws on the expertise of independent laboratories.

(ANIOS laboratory, test report no. 17242.04/219, BIOQUELL® test report no. TD041-003-14)



100% of bacteria eliminated
30 minutes
after decontamination

COMPLIANCE WITH FOOD CONTACT REQUIREMENTS

The tests performed on SPM's DECOCHOC and DECOCLEAN panels have proven their compliance with European Regulation (EC) no. 1935/2004 for contact with food.

(Intertek test report no. AFRAJ15002186-M1)



GLOBAL SOLUTION FOR PERFECT HYGIENE AND WATERTIGHTNESS

All SPM panels are made of antibacterial PVC, meaning that they are easy to clean and can be installed:

- From floor to ceiling with welded joints
- In right or rounded angles, irrespective of the degree or radius
- Above the coving of PVC floor coverings

For a reliable watertightness, SPM has a range of welding rods matched to the colours of SPM panels, allowing you to thermoweld one panel to another.

SPM and GERFLOR also provide a global solution for absolute watertightness and reliable junction: hot welded joints between the coving of the floor covering and the wall panel.

This system is optimised to work with the exclusive GERFLOR Corner System, and is particularly recommended for operating rooms and other rooms requiring a high level of hygiene.



RESISTANCE AND PROTECTION



Protecta 2
corner protector

Decochoc
panel

Floor / Wall
coving

IMPACT RESISTANCE

SPM wall protections are engineered to at least withstand impacts greater than 320 kg at 3 km/h that is higher to 110 joules according to ASTM 476-84. Our panels deliver impact resistance performance greater than 15 joules according to NF EN ISO 6603-1 and 300 joules according to ASTM F476-84.



SCRATCH RESISTANCE

Our solid colour panels are textured with the "Hydr'X" finish to conceal scratches. Their stylish and attractive design guarantees easy cleaning. (Scratch resistance > 10N according to NF EN 14565)



REACTION TO FIRE Bs2d0

Irrespective of its colour, the formulation for SPM's antibacterial PVC incorporates Bs2d0 fire reaction performance according to European standard NF EN 13501-1. To achieve this rating, all our products (profiles, accessories) are subjected to a complete set of tests by an approved laboratory.



STAIN RESISTANCE

Our Decochoc wall protection panels offer superior stain resistance, even with the most aggressive stains, such as betadine, eosin and alcohol-based iodine solutions. (Tests performed according to NF EN ISO 26987).



A RANGE THAT RESPECTS THE ENVIRONMENT

SPM has always considered its customers and the environment as absolute priorities. Our wall protections and handrails are designed to last as long as possible, make life easier for users and preserve their health. We are focused on our ambition of providing increasingly eco-friendly solutions by working on each stage in the product lifecycle, from design and production through to use and end-of-life.



TAKE A CLOSER LOOK AT OUR ACTIONS:



Design
Eco-design, a top priority



Production
Produce while minimising our footprint



Use
User health and safety come first



Building certification
Go beyond regulatory requirements

DESIGN ECO-DESIGN, A TOP PRIORITY

• EXEMPLARY COMPOSITION



Sustainable formulation

SPM PVC products contain no heavy metals, such as lead, cadmium, arsenic and tin, and are PBT-free (Persistent Bioaccumulative Toxic substances) and BPA-free (Bisphenol A).

Calcium-zinc thermal stabilisation

For several years, SPM has chosen to use calcium-zinc stabilisation, which is non-toxic and harmless for the environment. SPM is therefore ahead of the game, emphasising yet again its commitment to sustainable development.

• TRANSPARENT COMMUNICATION ABOUT OUR PRODUCTS' CARBON IMPACT

Environmental & Health Product Declarations (EHPDs) measure the carbon impact at each stage in the product's lifecycle, including raw materials, production, transport, implementation and end-of-life.

These declarations are **carried out by an independent laboratory** and used to measure and compare the environmental impacts of the different products, materials, and so on.



The EHPDs for the PVC wall protection panels are available on request.

• RESTRICT THE USE OF CLEANING PRODUCTS



The finish on our products (smooth or slightly textured) has been specifically designed to ensure easy cleaning and consequently **reduce the amount of water and detergents used**. In addition, fitting our wall protections can considerably extend the intervals between wall repairs and renovation work.

• 100% REACH-COMPLIANT FORMULATIONS

REACH (Registration, Evaluation, Authorisation and restriction of Chemicals) is a European regulation aimed at creating a safer framework for the production and use of chemicals in European industry and thereby improving **protection standards for human health and the environment** against chemical-related risks. REACH is used to list, evaluate and restrict the chemicals manufactured, imported and placed on the European market.



We guarantee that our products do not contain **any substances** on the REACH restrictions list.

• GUARANTEE SUSTAINABLE AND LONG-LASTING PRODUCTS

A product's service life is one of the most important criteria in terms of its impact on the environment. We are committed to manufacturing **sustainable products**.



Our products have an average service life of 25 years!

PRODUCTION PRODUCE WHILE MINIMISING OUR FOOTPRINT

• RECYCLING



Our materials are mainly PVC and aluminium, and are therefore **100% recyclable**. All our offcuts are recycled into the manufacturing process.

• A CUTTING SERVICE TO REDUCE WASTEFUL OFFCUTS



SPM provides its customers with a cutting service (depending on the models) prior to shipping. Factory-based pre-cuts **avoid wasteful offcuts at the installation site**.

• AVERAGE CONTENT OF RECYCLED MATERIALS IN OUR PRODUCTS

Several years ago, we began incorporating recycled PVC into our panel manufacturing processes.

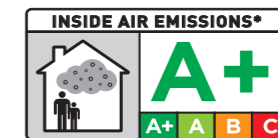


To date, our PVC wall protection panels include an average of **24% recycled materials**, and our aluminium profiles may contain up to **60% recycled aluminium**.

USE USER HEALTH AND SAFETY COME FIRST

• IMPROVE INDOOR AIR QUALITY

Our products are tested in accordance with ISO 16000-6 and emit less than 100 µg/m³ after 3 days, which is tiny compared to the threshold. Therefore, our products have an **A+ rating**. In addition, they do not emit any formaldehyde.



According to French regulations
* Information about the emission level of volatile substance in inside air, involving a toxic risk by inhalation, on a scale from A+ (very low emissions) to C (high emissions).



• GREENGUARD GOLD-CERTIFIED PANELS

Our panels have been awarded the Greenguard Gold label for their **low emissions** ensuring good indoor air quality.

• SOLVENT-FREE ADHESIVES



We recommend the use of SPM adhesives to install our products, either a water-based acrylic adhesive or a universal MS polymer-based mastic glue. Our adhesives are **solvent-free** and therefore present no threat to users' health or the environment.

BUILDING CERTIFICATION GO BEYOND REGULATORY REQUIREMENTS

All SPM solutions can extend a facility's service life and considerably widen the intervals between wall / door repair and renovation work. As such, they can contribute to environmental building certification, where their contribution varies depending on the product characteristics and technologies used.

• HQE STANDARD

In France, the HQE High Environmental Quality standard is a **global approach** specifying criteria for buildings to «manage impacts on the outdoor environment and create a pleasant and healthy indoor environment».



SPM products can be used in building projects aimed at achieving High Environmental Quality certification for their high environmental performance.

• LEED™ CERTIFICATION

LEED™ (Leadership in Energy and Environmental Design) is a renowned international green **building certification system** developed by the US Green Building Council (USGBC).



SPM products can provide points towards LEED™ certification.



SPM CONTINUES TO INNOVATE FOR YOU



IN A NUMBER OF OTHER DOMAINS

Specialist in wall protections and handrails for more than 40 years, SPM develops innovative and decorative solutions to protect, enhance and ensure the sustainability of your walls and doors.

SPM IN BIMOBJECT

Always attentive to the needs of its customers and partners, SPM offers the opportunity to download BimObject in Revit and ArchiCAD covering its entire range.

A NEW COLOUR CHART

A new design and trendy colour chart with 50 colours and decors created with the help of our partner architects and colourists in order to offer you an even wider choice:

- 14 new colours trendy and essential in decoration such as **Sage, Terracotta, Quartz, Mimosa, Indigo, Mulberry...**
- 2 new wood decors for **Decowood** to warm up your interior : **Walnut** and **Cherry**
- 1 new decor **Raw Concrete** and 2 new decors **Corten** for **Decotrend**, for a contemporary atmosphere.



DECOPRINT PRINTED PANELS

Decoprint printed panels, created by SPM, protect and personalize your walls and doors using digital printing (reproduction of photos, drawings, messages, logos, signage, etc.). It is the ideal decoration solution adding an aura of elegance and originality to your establishment.

ACCESSIBILITY

We have developed numerous solutions to meet accessibility requirements:

- **Adjustable and variable 3D angle Rapid'Angle®** to fit in all staircases layouts and to all angles from 80° to 180°.
- **The option of high visual contrast** using a well thought-out range of colours that provide wall protection in neutral and natural shades against which our handrails, in their acid, bright colours, stand out and are immediately visible to users with impaired vision.
- **Powerful visual identifiers** based on outline shapes and inlays that customize doors and walls and make it easier to recognise places and find one's way, especially for those with impaired cognition.
- **Tactile identifiers** are available for Escort handrails using their unique design of finishing strip that can be customized on request.
- **A double bracket** for the simple installation of Escort handrails at two heights, one standard, the other for children and those using wheelchairs.



DECOCHOC H₂O PANELS

The innovative solution for protecting walls and doors in wet rooms. The formulation and grained surface are perfectly suited to wet areas and provide total and long-lasting watertightness. It has been certified by a Technical Approval from CSTB.



LINEA'TOUCH LED HANDRAIL

The new Linea'Touch LED handrail is designed to help people move around safely in corridors and traffic areas. Thanks to its exclusive trilobed shape, developed with our partner architects and validated by ergo-nomists, the Linea'Touch LED handrail provides an excellent handgrip while protecting walls effectively and now offers a user guiding system thanks to integrated lighting.

Ideal in hospitals, clinics, retirement homes, establishments for people with disabilities, performance venues, hotels, offices, etc., the LED handrail provides comfort and safety for your users and staff, along with design and aesthetics for your establishment.

With Linea'Touch LED, available in PVC sheathed or Decowood or Anodised, create your customized ambiance, for each area, department or floor.



PROTECTION HANDRAILS ESCORT'DUO & LINEA'DUO

Escort'Duo and Linea'Duo protection handrails are designed to ensure the double purpose of wall protection and handrail, in corridors with high impacts of wheeled equipments. They are provided with bactericidal joints.

Ideal for all public buildings (hospitals, clinics, reeducation centres, homes for the elderly), they provide different choices:

- Select the shape of the upper part of the handrail: round with Escort'Duo or trilobed with Linea'Duo.
- Select the one colour or the two-colour option to differentiate the handrail from the wall protection rail.



The bactericidal joints used with our handrails help in the fight against the transmission of hand-borne contamination, which is responsible for the great majority of hospital acquired infections.

(Nosoco. tech laboratories, test report n°08112803)

Most of our profile strips come with a **peel-off protective film** to protect them from any marks whilst work is in progress. When left on until the time of acceptance, this film prevents the need for complete cleaning of our products.

SPECIFIC SOLUTIONS PER SECTOR

+ HOSPITALS - CLINICS

- **Priority to Hygiene**

In operating theatres, cleanrooms, laboratories... hygiene has to be the number one priority more than anywhere else. We develop antibacterial and bacteriostatic PVC that do not collect germs and are resistant to disinfectants.

- **Impact resistance**

Each corridor, each passage way has its own traffic. Our wall protection systems and handrails fit in with different impact intensities or wear, from occasional passage to heavy traffic.

- **Easy maintenance**

Non-porous surfaces and curved shapes have been developed with hygienists to prevent germ incrustation. Our PVC is resistant to solvents, diluted acids and industrial detergents.

- **Simplified installation**

Our products are designed to be easily installed and to limit noise and chemical pollution during the installation: easy and quick fitting together, odourless glues.



HOUSING

- **Protecting infrastructure**

Given high foot traffic and potential soiling or damage, it is essential to protect building infrastructure. SPM solutions preserve premises durably against impacts on walls, doors and corners and facilitate maintenance and cleaning. They contribute to a pleasant and safe living environment and meet relevant health and safety requirements.



EDUCATION

- **Heavy traffic**

In public areas, the heavy and repeated flow of pupils or equipment creates premature and intensive wear and tear. So that these living and working areas are friendly and resistant, SPM has designed ranges of wall protections to meet these requirements.

- **Maintenance**

SPM protection systems reduce wear and tear as well as impacts on walls and extend the lifetime of buildings. Easy to clean and maintain, they contribute towards reducing maintenance costs.

- **Aesthetic**

SPM solutions help you to create and preserve pleasant settings, colourful and fun décors which encourages the well-being of toddlers. They enhance your premises whilst maintaining them in good condition.



SHOP

- **Protection**

Shops storage areas, pillars are constantly stressed by the movement of people, friction and impacts of equipments and cleaning trolleys.

SPM solutions provide a durable protection of walls, doors and corners, are resistant to shock, friction, dirt and frequent washing. Quick and easy to install in order not to disrupt the activity, they enhance the premises with a wide range of aesthetic and decorative solutions.



INDUSTRY

- **Controlled environment**

In the pharmaceutical sector, especially in cleanrooms, the control of bacteriological contamination is essential. SPM develops solutions that meet these requirements.

- **High impact resistance**

High-load trolleys pass through corridors, technical areas, logistical premises. SPM wall protections provide unmatched impact resistance and protect premises for a long time.

- **Quick installation**

On-going activity must not be interrupted. SPM wall solutions are easy and quick to install, ensuring very short period of downtime of the premises.



HOTELS - CATERING

- **Enhance your image**

In an environment constantly and heavily frequented by people, a refined and welcoming decor adds to the appeal of your establishment. SPM's decorative and easy-to-maintain solutions preserve walls and doors against wear and tear due to luggage, cleaning trolleys, chairs and tables, traces of soiling around handles, etc. They can provide a decorative touch or blend discreetly into the background.



RETIREMENT HOMES - DISABILITY CENTERS

- **Comfort**

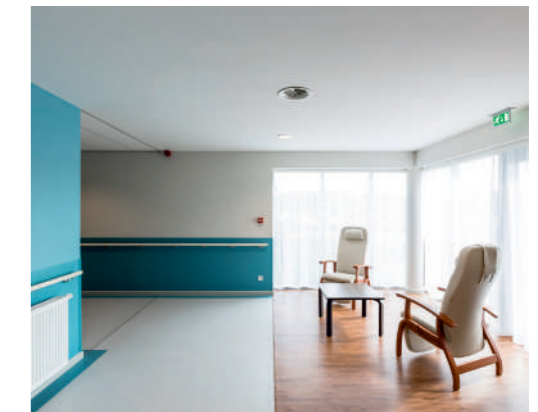
As the bedroom becomes the patient's main living room, the risks related to moving furniture is increased (beds, wheelchairs, service trolleys, chairs...). SPM wall protections protect against wear, whilst providing well-being and comfort.

- **Ergonomics**

Our handrails are especially designed for a perfect handgrip and provide safe support for users.

- **Living environment**

SPM wall protections and handrails enhance interiors whilst offering a warmer living environment, and contribute to well-being of the elderly. Pastel or bright, colours will fit perfectly into the existing décor and facilitate visual guidance.



SPORT

- **Large width protection**

In gymnasiums, impacts (of balls, sticks, studs...) can appear anywhere. So it is important to protect the more exposed areas: lower parts of walls, doors, angles, in order to keep the premises in a good state. In other areas where physical activities are practiced (dancing, fitness and martial arts), the wall protection protects from wear and tear and makes maintenance easier.

- **Wet areas**

The cloakrooms and notably the shower areas have to be protected against the damaging effects of moisture: corrosion, moulds. SPM solutions contribute to making these areas more watertight: welded panels and doors protected with bends and cutouts.





HERE NOTHING IS LEFT TO CHANCE
.....
HOSPITALS
CLINICS





CONTRIBUTING TO RESIDENT WELL-BEING
.....
RETIREMENT HOMES
DISABILITY CENTERS





A WELCOMING ENVIRONMENT FOR PUPILS

.....

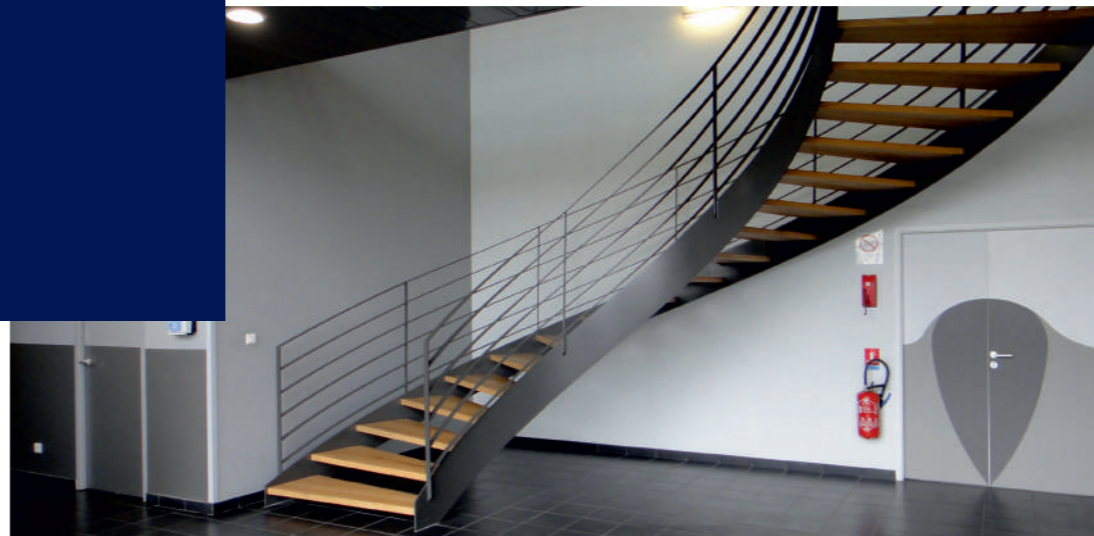
EDUCATION





PROTECTING AND ENHANCING INFRASTRUCTURE

OFFICES
HOTELS
CATERING
HOUSING





EFFECTIVENESS
IN ANY LOCATION

SHOPS
SPORT
INDUSTRY



A NEW PALETTE OF 39 COLOURS

LET WALL PROTECTION PLAY A DYNAMIC ROLE IN DECORATION



COLOUR RANGE

NATURAL













 NEW		 NEW	
0102 Cream IRL 81.8	0001 Chalk IRL 83.4	1102 Spume IRL 82.5	0031 Alum IRL 73.5
			 NEW
0008 Sand IRL 51.4	0007 Wicker IRL 70.8	0006 Ivory IRL 80.1	0101 Mist IRL 60.9
			
0013 Greige IRL 41.3	0014 Cinnamon IRL 38.5	0002 Gravel IRL 52.7	0011 Pebble IRL 54.2
			
0009 Sienna IRL 26.0	0003 Clay IRL 31.6	0032 Flint IRL 43.9	0004 Granite IRL 24.7
			
0005 Schist IRL 15.4	0010 Bark IRL 14.7	0033 Slate IRL 6.7	0036 Basalt IRL 4.5

SPM OFFERS...

... a range of colours designed with the help of architects, interior designers, users, etc. The colour chart with 39 colours, from the most sober to the most daring, gives a new identity to interior designs whilst blending perfectly with other decorative elements such as floors, walls, doors, etc.

This palette brings together neutral, sober, mineral shades that blend naturally with architectural design and vivid, refreshing, full-bodied and youthful colours. Tinted greys provide subtle, muted ambiances. Let SPM wall protection play a dynamic role in the aesthetic appearance of your facility.

COLOUR

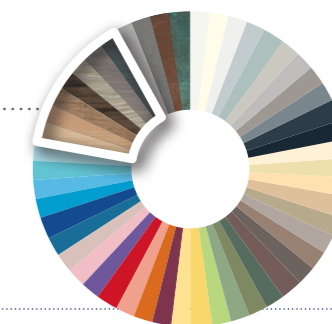
	 NEW	
0034 Magnolia IRL 52.5	0039 Quartz IRL 54.8	0030 Iris IRL 17.7
 NEW	 NEW	 NEW
0048 Lagoon IRL 48.3	0047 Turquoise IRL 25.1	0046 Indigo IRL 10.4
	 NEW	
0028 Poppy IRL 15.4	0042 Mulberry IRL 13.5	0040 Lychee IRL 44.7
		
0018 Azure IRL 43.5	0016 Glacier IRL 57.2	0020 Denim IRL 15.7
 NEW		 NEW
0043 Mimosa IRL 68.1	0021 Straw IRL 73.2	0041 Terracotta IRL 26.7
	 NEW	 NEW
0024 Bamboo IRL 53.4	0044 Sage IRL 38.8	0049 Linden IRL 29.4
 NEW		
0045 Fern IRL 17.8		

PLEASE NOTE

- LRV (Light Reflectance Value) measures based on Decochoc panel.
- In order to speed up delivery of your orders, we have adapted our colour range in line with our products. Most of our products are available in all 39 colours in the range.
- Each product display page shows the numbers of colours available and there is a summary table at the end of the guide for all the products (p. 164 to 167).

Colours are not contractually binding.

DECOWOOD RANGE



COLOUR RANGE

7 WOOD EFFECT DECORS



A COORDINATED RANGE

SPM offers a full range of decorative wood decors for use in those establishments that wish to combine wall protection and handrails with the warmth of wood.

This range consists of products matched to various requirements, providing safety for all with the Escort, Linea and Starline handrails, wall and door protection with Decowood protection panel and corner protection with the bent Decowood panel.

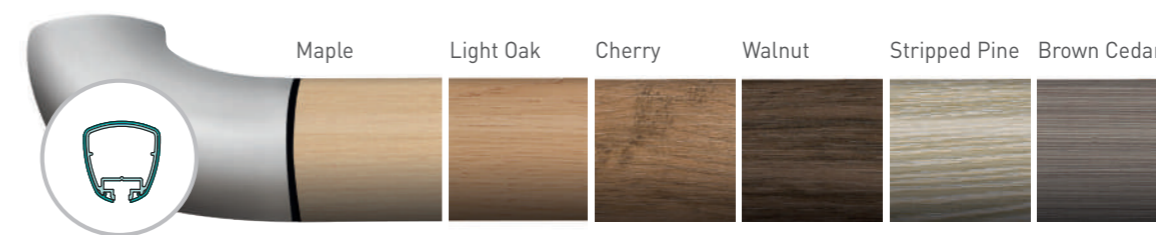
A WIDE CHOICE OF WOOD DECORS

The range has been expanded with two new wood decors, chosen to suit all interiors.

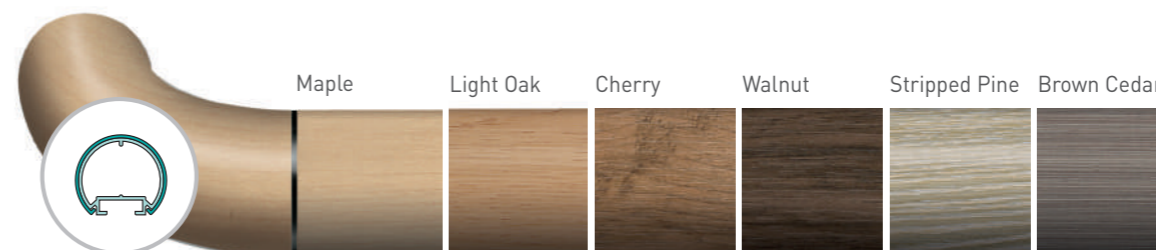
To the five existing decors Maple, Light Oak, Stripped Pine, Brown Cedar and Smoky Cedar, we have added Cherry and Walnut.



Linea' Touch Decowood Handrail



Escort Decowood Handrail



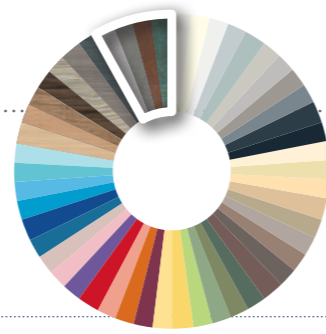
Starline Decowood Handrail



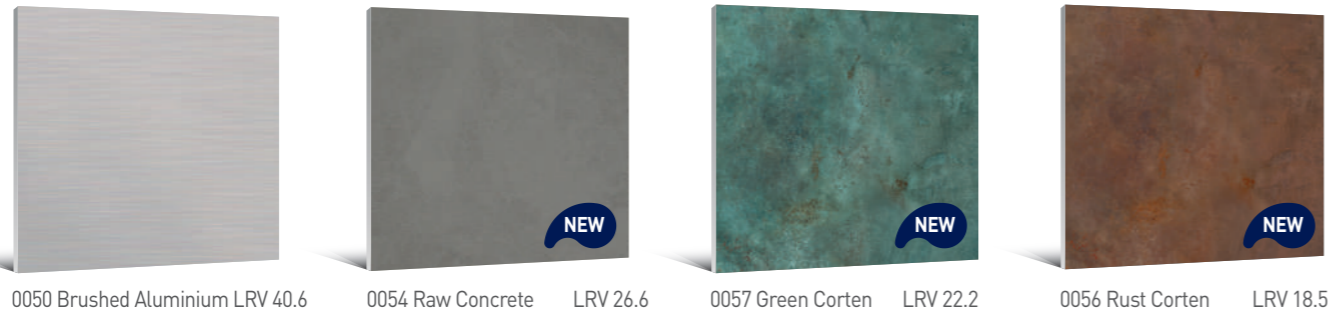
Adhesive corner protector in bent Decowood



DECOTREND RANGE



4 TREND DECORS

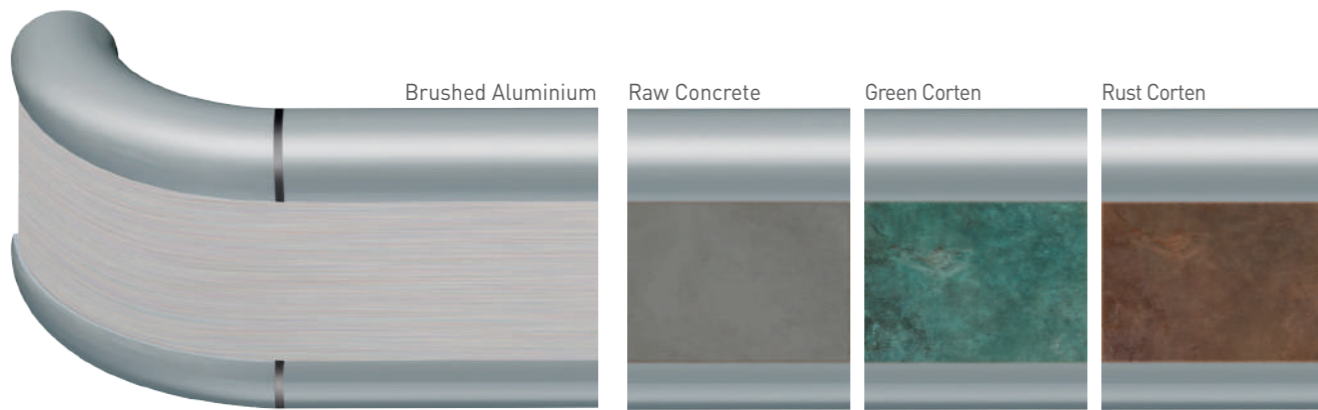


TO COMBINE DECORATION AND PROTECTION

SPM has designed these new decors to inspire the creation of individual, distinctive and damage resistant spaces. The overall approach is modern and urban. These decors lend themselves to some astonishing visual effects:

- a striking appearance of "Brushed Aluminium"
- a resolutely material effect with "Raw Concrete"
- An oxidised steel look with "Green Corten" and "Rust Corten"

Starline Decotrend Handrail



Adhesive corner protector in bent Decotrend



Decotrend decorative protection panel



Colours are not contractually binding

SAFY RANGE "INDIVIDUAL PROTECTION"

The SAFY range is all about individual protection and SPM has selected colours with two potential requirements in mind:

- The wish to make premises safe in a discreet way with the neutral colours Swan, Fawn and Dolphin,
- The need to provide warning signals while also enlivening spaces with bright Canary.

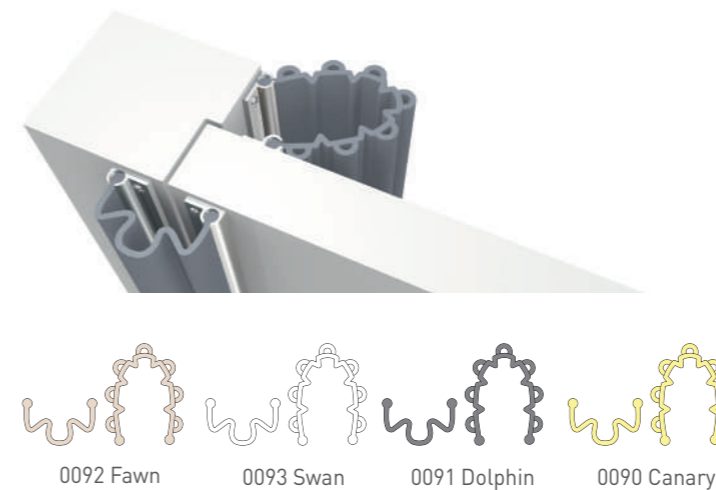
SAFY CORNER

Safy'Corner 90° adhesive cushioning corner protector



SAFY DOOR

Safy'Door door finger protection



Colours are not contractually binding

A PRACTICAL GUIDE

THE SOLUTIONS

SPM has worked closely with its customers, in order to understand their specific needs. This partnership has led to the development of a complete range of solutions that cater for your every need.

Whether you need to protect walls from impact and wear, shield areas such as angles and doors that are prone to damage, or install handrails that provide both protection and aid mobility – whatever you require, SPM has the total solution for you.

Description

States all the details of the concerned product.

Applications

By detailing the practical applications of each product we can help you to make the right choice for your particular needs.



**FOR ANY ADVICE
PLEASE CONTACT US**

COLOUR
RANGE

Range of colours

See all the colours available for the product at a glance.

Technical drawings

This enables you to see everything clearly (scale 1: for most of the products): the strong points and particulars of each of our products, including the mounting systems.

Specification

It provides you with the necessary information about specifications, such as technical information, a complete description and fitting instructions.

Product overview




This provides you with all the information concerning a particular product, as well as the available options.



CLASSIFICATION FOR PROTECTION REQUIREMENTS

A COLOUR CODE FOR EVERY APPLICATION

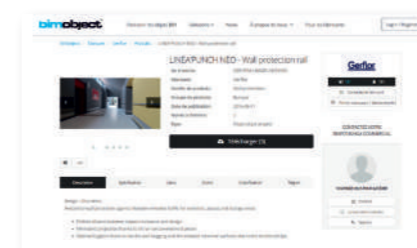
Solutions for "protection" vary according to which areas of a building are subjected to impact, or intensive use by people and mobile equipment. We have established a classification system for the various applications and have given them a colour code that can be used as a guide throughout our catalogue.

-  **RED > FOR HEAVY TRAFFIC AREAS**
Intensively used areas that are subjected to hard impact
-  **ORANGE > FOR MODERATE TRAFFIC AREAS**
Standard intensity areas that are repeatedly subjected to impact
-  **BLUE > FOR LIGHT TRAFFIC AREAS**
Low intensity areas that are subjected to light impact and localised wear

CONVENIENT INTERNET & BIMOBJECT



All technical informations (specifications, scale 1 section drawings and installation instructions) are available to download on our website: www.spm-international.com. Most of the products are available on BIMobject.



INSTALLATION PROCEDURES

To help with the installation of our products, the installation procedures guide is available upon request.



WALL PROTECTION

All public buildings have similar difficulties: premature deterioration together with wear and tear of their premises.

Corridor walls, corners and doors are constantly knocked by trolleys and are damaged by continuous pedestrian traffic.

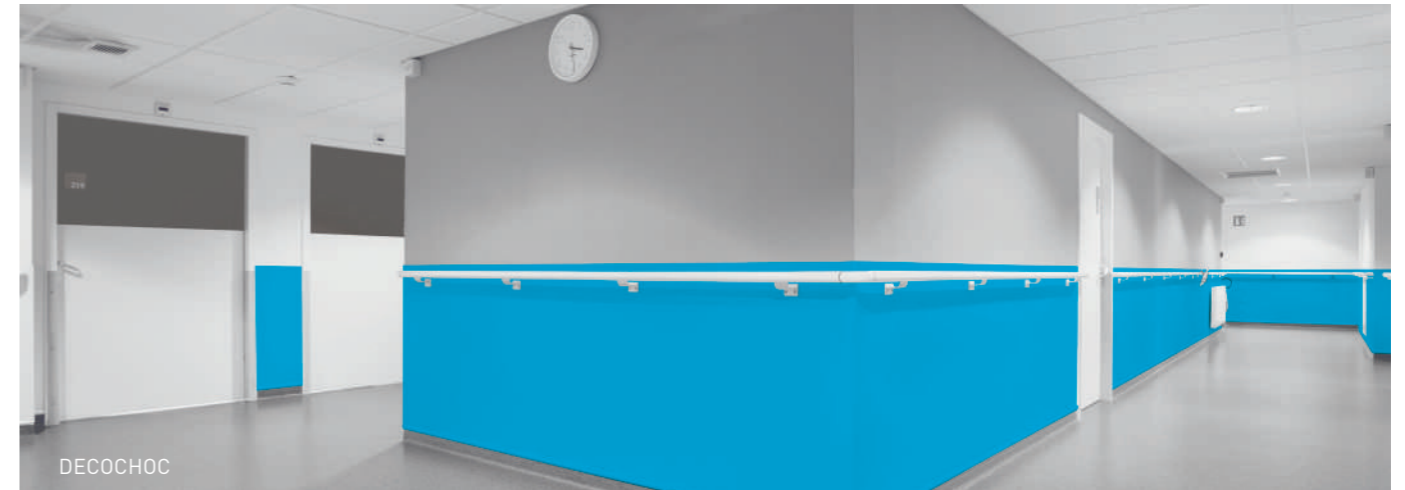
In operating theatres and cleanrooms asepsis is absolutely imperative.

SPM has developed three ranges of products that have been tested in order to offer you the most appropriate solutions – wall protection rails, protection plates and the decorative protection and covering panels.

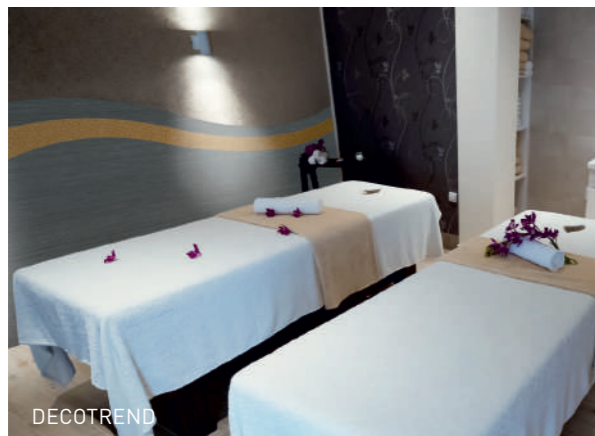
All are resistant to impact, germs and cleaning products. They are made from solid-colour and antibacterial PVC therefore the colour will not alter with cleaning or time.



CONTACT & DECOPRINT



DECOCHOC



DECOTREND



DECOCLEAN



KIDFRESC



DECOWOOD



IMPACT




DECOPRINT







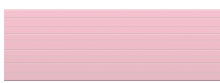
LINEA PUNCH NEO


WALL PROTECTION

PROTECTION RAILS AND PLATES

-  **LINEA'PUNCH NEO** p.50-51
Wall protection rail
Height 180 mm

-  **IMPACT 200** p.52-53
Wall protection rail
Height 200 mm
-  **IMPACT 120** p.52-53
Wall protection rail
Height 120 mm
-  **IMPACT 60** p.52-53
Wall protection rail
Height 60 mm

-  **CONTACT 350** p.54-55
Protection plate
Height 350 mm
-  **CONTACT 200** p.54-55
Protection plate
Height 200 mm








-  **PLAC'INOX** p.76
Stainless steel protection plate



CODE	DESCRIPTION	MATERIAL	COLOUR RANGE
LINEA'PUNCH NEO	Wall protection rail	PVC	39 colours
IMPACT	Wall protection rails	PVC	39 colours
CONTACT	Protection plates	PVC	39 colours
PLAC'INOX	Protection plate	Stainless steel	Brushed

Colours available per product: please see the colour summary hinge

PROTECTION AND COVERING PANELS

-  **DECOCHOC** p.56-57
Protection and covering panel
Thickness 2 mm
 -  **DECOWOOD** p.58
Decorative protection and covering panel
Thickness 2 mm
 -  **DECOTREND** p.59
Decorative protection and covering panel
Thickness 2 mm
 -  **DECOCLEAN** p.60-61
Smooth protection and covering panel
Thickness 2 mm
 -  **DECOCHOC H₂O** p.62-63
Protection and covering panel in wet area
Thickness 1.5 mm
 -  **DECOTREND H₂O**
DECOWOOD H₂O p.64-65
Decorative protection and covering panels in wet area
Thickness 2 mm
 -  **DECOCHOC STARO** p.66-67
Protection and covering panel
Thickness 1.5 mm
-
-  **FIN'ALU** p.68
Finishing and jointing profiles
 -  **FIN'COLOR** p.69
Finishing and jointing profiles
 -  **DECOFRESC** p.70
Protection and decorative covering frescoes
Thickness 2 mm
 -  **KIDFRESC** p.71
Decoration and covering fresco
Thickness 1 mm
 -  **DECOPRINT** p.72-73
Customized decoration and covering panel
Thickness 1 mm
 -  **DECOSIGN** p.74-75
Customized Signage
Thickness 1 or 2 mm
 -  **PLAC'INOX** p.76
Stainless steel protection plate
 - FIXING** p.77
Adhesives, glue, primer..
 - FINISHING AND JOINTING PROFILES** P.77

CODE	DESCRIPTION	MATERIAL	COLOUR RANGE	
DECOCHOC	Protection and covering panel	PVC - 2 mm	39 colours	
DECOWOOD	Decorative protection and covering panel	PVC - 2 mm	7 wood decors	
DECOTREND	Decorative protection and covering panel	PVC - 2 mm	4 trend decors	
DECOCLEAN	Smooth protection and covering panel	PVC - 2 mm	5 colours	
DECOCHOC H ₂ O	Protection and covering panel in wet area	PVC - 1.5 mm	10 colours	
DECOTREND & DECOWOOD H ₂ O	Decorative protection and covering panels in wet area	PVC - 2 mm	3 decors	
DECOCHOC STARO	Protection and covering panel	PVC-free - 1.5 mm	9 colours	
FIN'ALU	Finishing and jointing profiles	Aluminium	Satin silver anodised	
FIN'COLOR	Finishing and jointing profiles	PVC	39 colours	
DECOFRESC	Protection and covering decorative frescoes	PVC - 2 mm	2 models - 39 colours	
KIDFRESC	Decoration and covering frescoes	PVC-free - 1 mm	3 themes with 4 pictures each	
DECOPRINT	Customized decoration and covering panel	PVC-free - 1 mm	-	
DECOSIGN	Customized Signage	- Decoprint	PVC-free - 1 mm	-
		- Decochoc, Decowood, Decotrend	PVC - 2 mm	39 colours & 11 decors

Colours available per product: please see the colour summary hinge



Colours on order

Colours available per product: please see the colour summary hinge

LINEA'PUNCH NEO

WALL PROTECTION RAIL - 180 MM HIGH



APPLICATIONS

The Linea'Punch Neo protection rail is the perfect alliance between impact resistance and design.

Its uncluttered line helps it merge with the decor, and matches perfectly the Linea'Touch handrails for an aesthetic and high-performance solution throughout the building.

Its narrow beveled end pieces are smooth and minimise projection and reduce the distance to door frames, and the wall-hugging profile makes for easy cleaning and maximum hygiene. It is easy and quick to install, thanks to its double clipping.

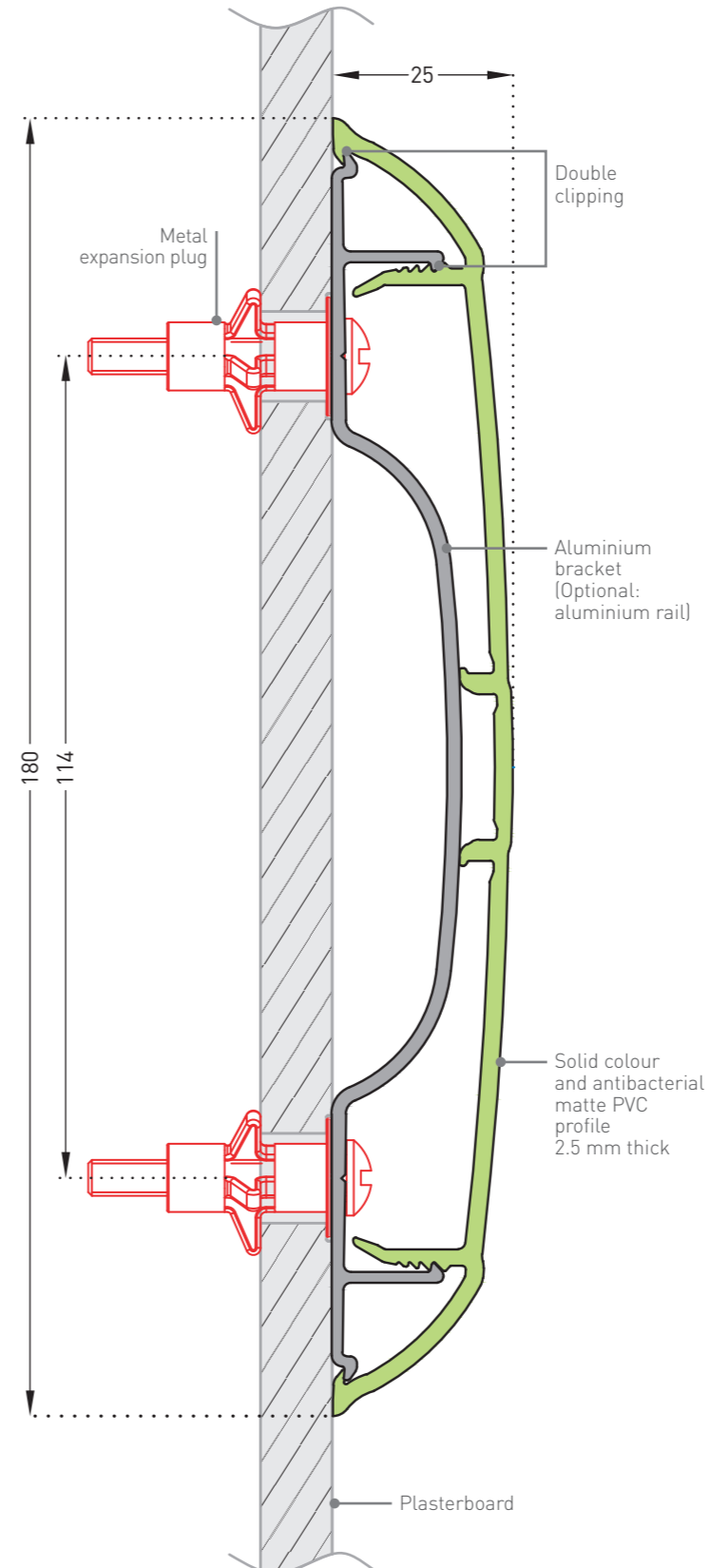
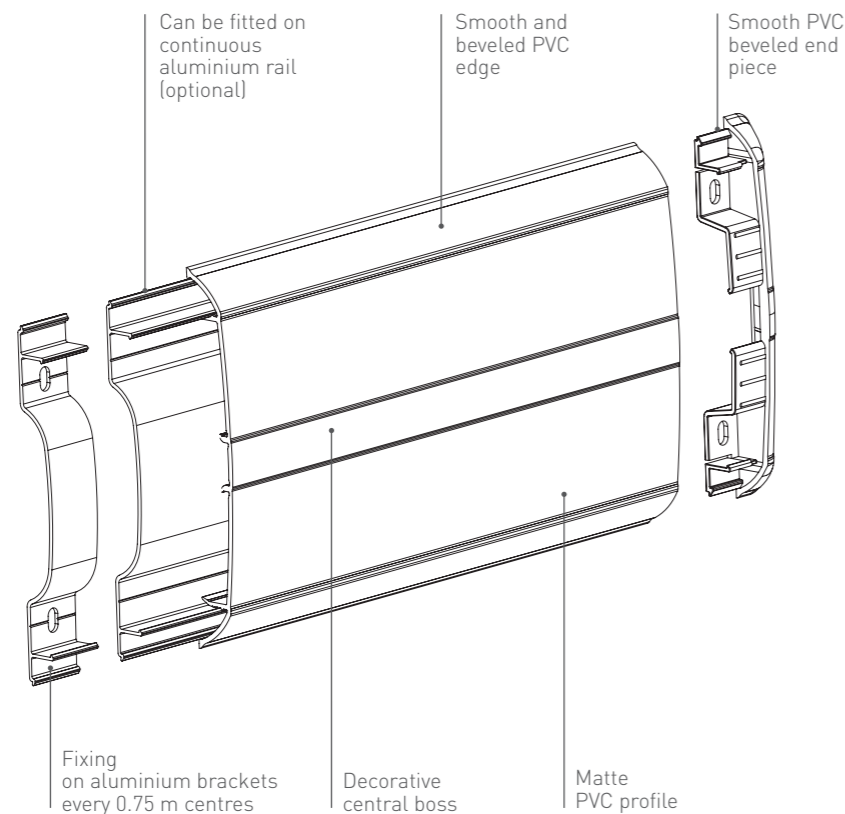
It provides effective and discreet protection for walls exposed to heavy trolley traffic in corridors, access areas and storage rooms (hospitals, clinics, retirement homes, labs, cleanrooms, hotels, restaurants, schools).

DESCRIPTION

- Model: Linea'Punch Neo protection rail
- Height: 180 mm
- Depth: 25 mm
- Length: 4 m
- Material: 2.5 mm thick PVC, antibacterial and Bs2d0 fire-rated, solid colour
- Surface finish: matte with central boss
- Fixing components: aluminium brackets (optional: continuous aluminium rail)
- Colours: 39
 - 28 in stock
 - 11 on order

NOTA

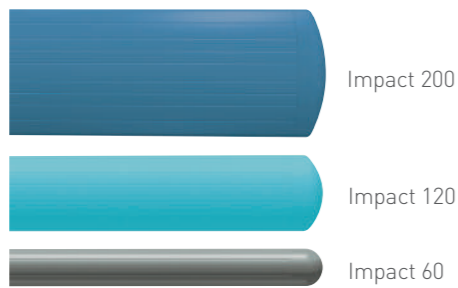
The end piece serves as the first clip.



SPECIFICATION

- Description: flat wall protection rail with a central boss (Linea'Punch Neo as manufactured by SPM) from matte and antibacterial PVC achieving Bs2d0 reaction to fire classification with solid colour. PVC profile projects 25 mm, is 180 mm high and 2.5 mm thick. It provides a matte surface finish and snap-fixes onto aluminium brackets, resilient by an exclusive "omega" shape, or onto continuous aluminium rail (optional). The upper and lower parts of the profile are smooth, beveled and edged with strengthened lips to hold the profile tightly against the wall and minimise dust traps. A protective film is specified to minimise cleaning before acceptance. Finish is provided by slim beveled and smooth end pieces (16.5 mm wide). This wall protection rail achieves an impact resistance in excess of 110 Joules, i.e., an impact of more than 320 kg travelling at 3 kmh.
- Environment: no heavy metals and no substance potentially subjected to any REACH restriction are used in its manufacture, nor PBT/BPA. The calcium-zinc thermal stabilisation process is used. The emission level of volatile substance in inside air has been tested according to ISO 16000-6 and is very low (A+) according to the French regulation (23 March 2011 nr 2011-321 Decree and 19 April 2011 Order). 100% of the product are recyclable.
- Colour: selected by architects from manufacturer's standard range.
- Installation method: recommended height of protection rail centreline 0.80 m above floor level for mid-level wall protection or on top of the skirting for low level wall protection. Snap-fixes to aluminium "4-point" brackets spaced at 0.75 m centres or continuous aluminium rail (optional).

WALL PROTECTION



Colours on order

Colours available per product: please see the colour summary hinge

IMPACT

WALL PROTECTION RAILS - 200 / 120 / 60 MM HIGH



APPLICATIONS

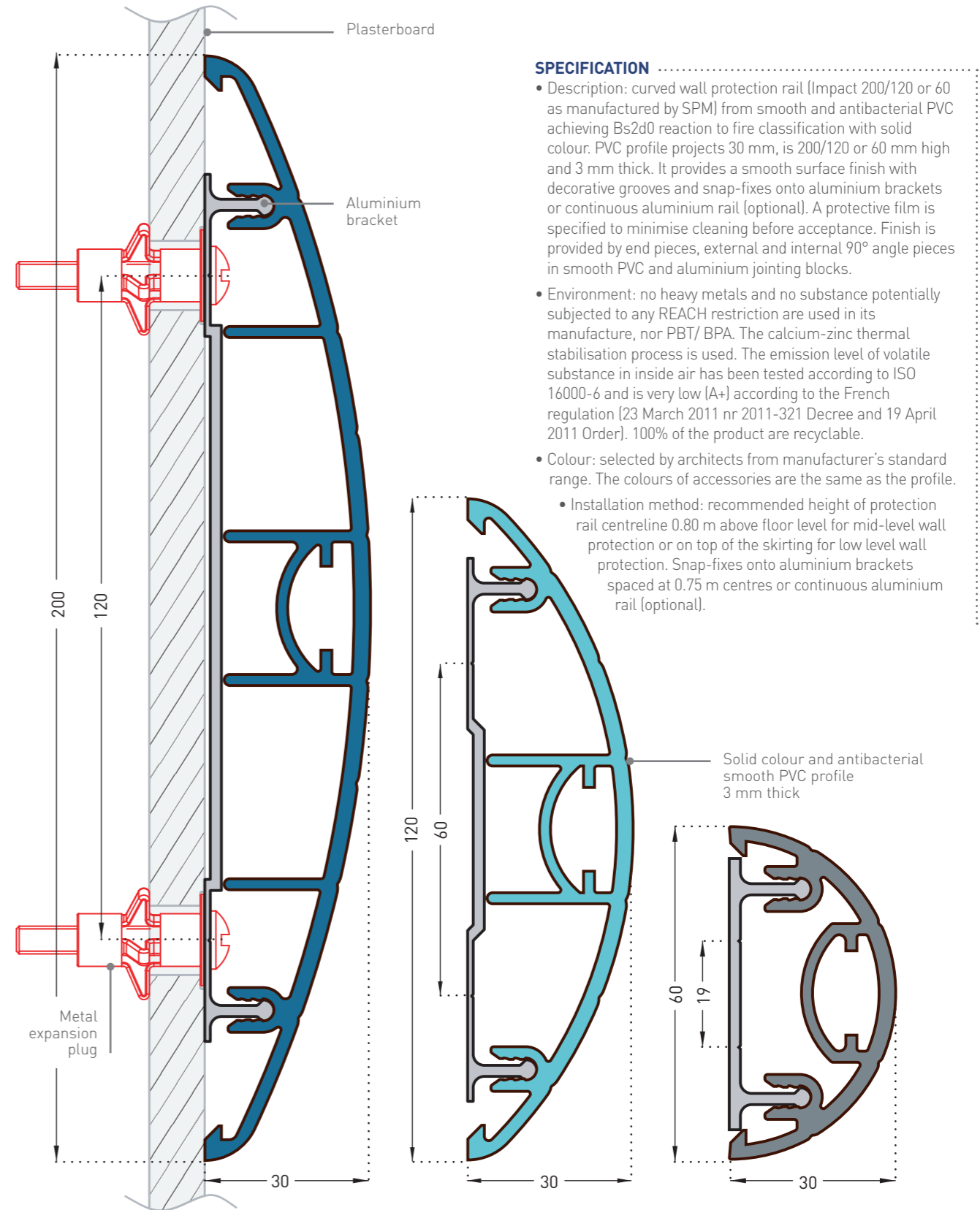
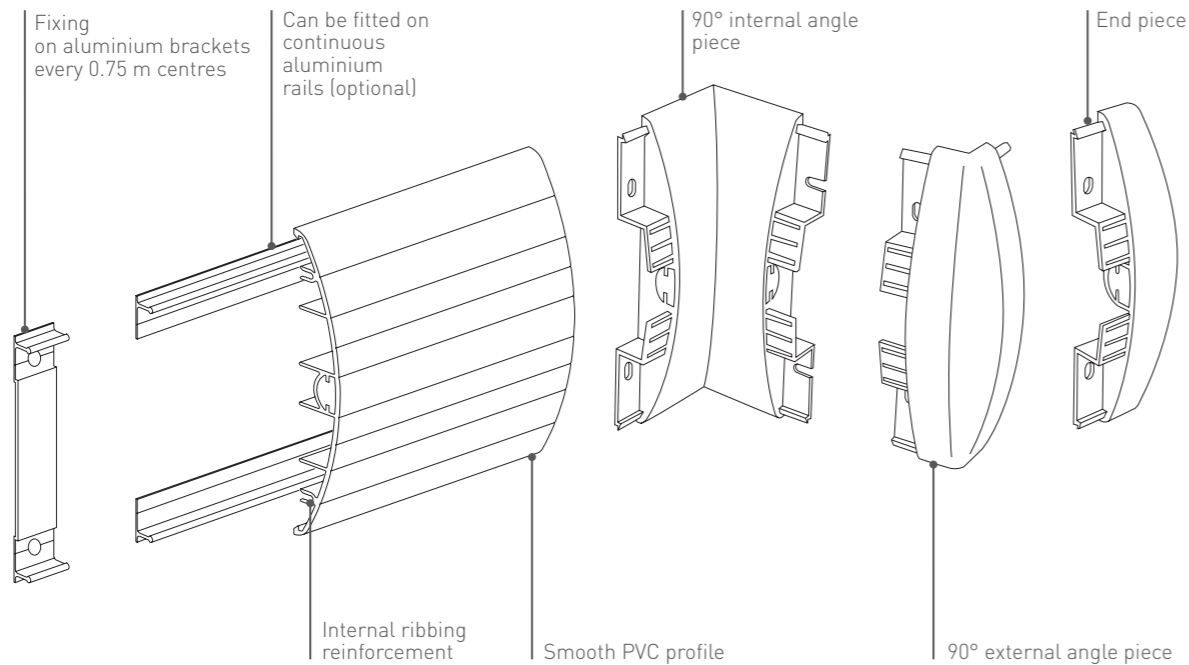
This horizontal protection system features contoured design to bring you the perfect combination of impact resistance and sheer good looks. Fitted at one or two levels, it protects walls exposed to intensive wheeled traffic in corridors, entrances and storage areas (hospitals, clinics, retirement homes, laboratories, cleanrooms, hotels, restaurants, schools).

DESCRIPTION

- Model: Impact 200/120 or 60 wall protection rail
- Height: 200/120 or 60 mm
- Depth: 30 mm
- Length: 4 m
- Material: 3 mm thick PVC, antibacterial and Bs2d0 fire-rated, solid colour
- Surface finish: smooth with decorative grooves
- Fixing components: aluminium brackets (optional: continuous aluminium rail)
- Colours: 39
 - 28 in stock and 11 on order for Impact 200 and 120
 - 5 sur stock and 34 on order for Impact 60

NOTA

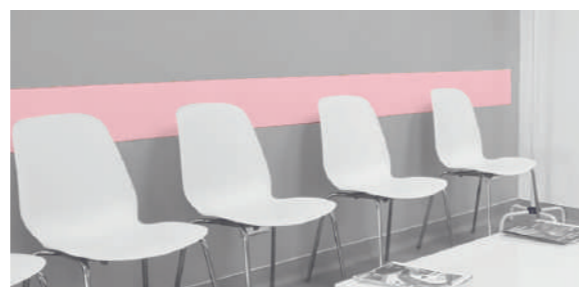
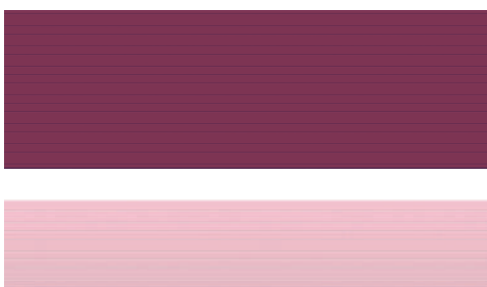
The end piece serves as the first clip.



SPECIFICATION

- Description: curved wall protection rail (Impact 200/120 or 60 as manufactured by SPM) from smooth and antibacterial PVC achieving Bs2d0 reaction to fire classification with solid colour. PVC profile projects 30 mm, is 200/120 or 60 mm high and 3 mm thick. It provides a smooth surface finish with decorative grooves and snap-fixes onto aluminium brackets or continuous aluminium rail (optional). A protective film is specified to minimise cleaning before acceptance. Finish is provided by end pieces, external and internal 90° angle pieces in smooth PVC and aluminium jointing blocks.
- Environment: no heavy metals and no substance potentially subjected to any REACH restriction are used in its manufacture, nor PBT/ BPA. The calcium-zinc thermal stabilisation process is used. The emission level of volatile substance in inside air has been tested according to ISO 16000-6 and is very low (A+) according to the French regulation (23 March 2011 nr 2011-321 Decree and 19 April 2011 Order). 100% of the product are recyclable.
- Colour: selected by architects from manufacturer's standard range. The colours of accessories are the same as the profile.
- Installation method: recommended height of protection rail centreline 0.80 m above floor level for mid-level wall protection or on top of the skirting for low level wall protection. Snap-fixes onto aluminium brackets spaced at 0.75 m centres or continuous aluminium rail (optional).

WALL PROTECTION



▾ Colours on order

Colours available per product: please see the colour summary hinge

CONTACT

ADHESIVE PROTECTION PLATES

350 / 200 MM HIGH



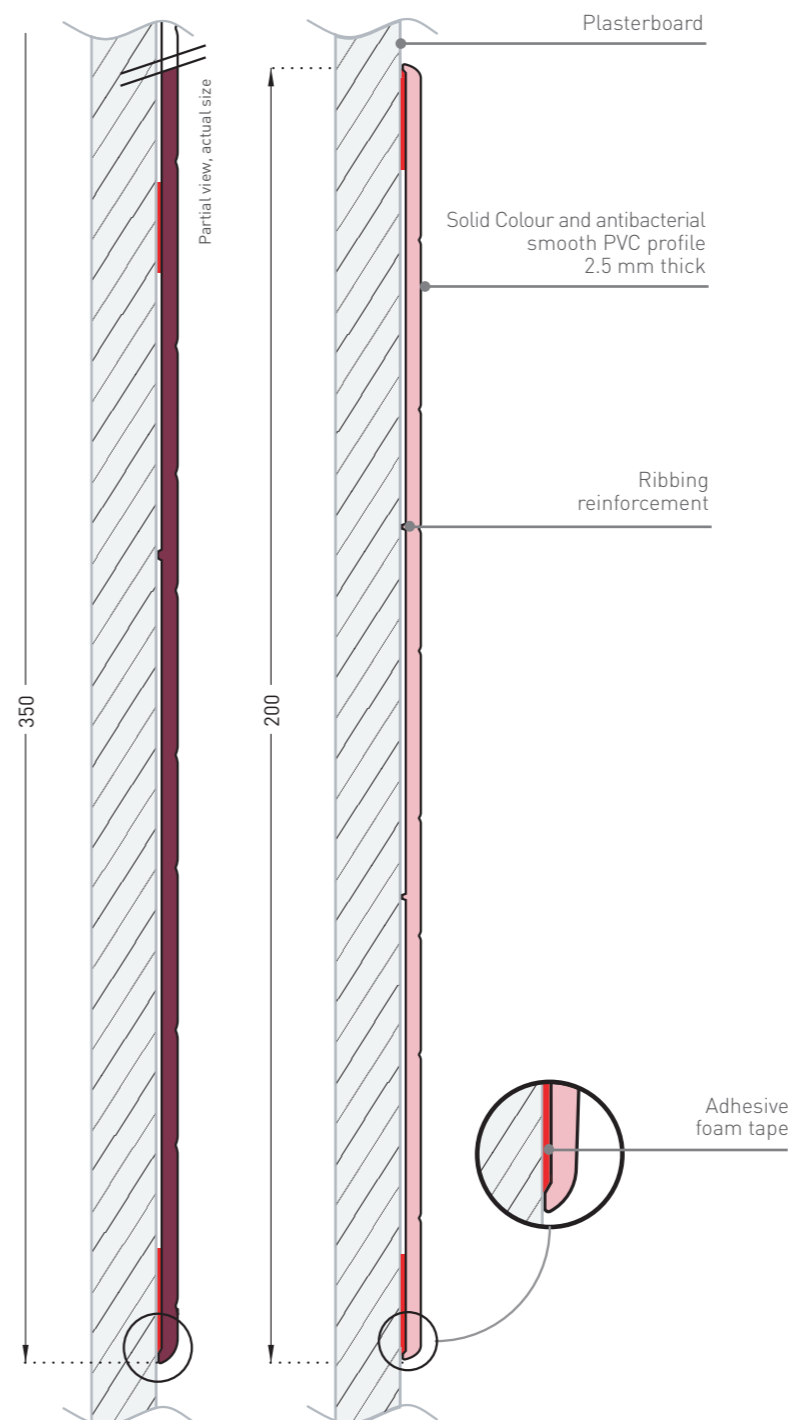
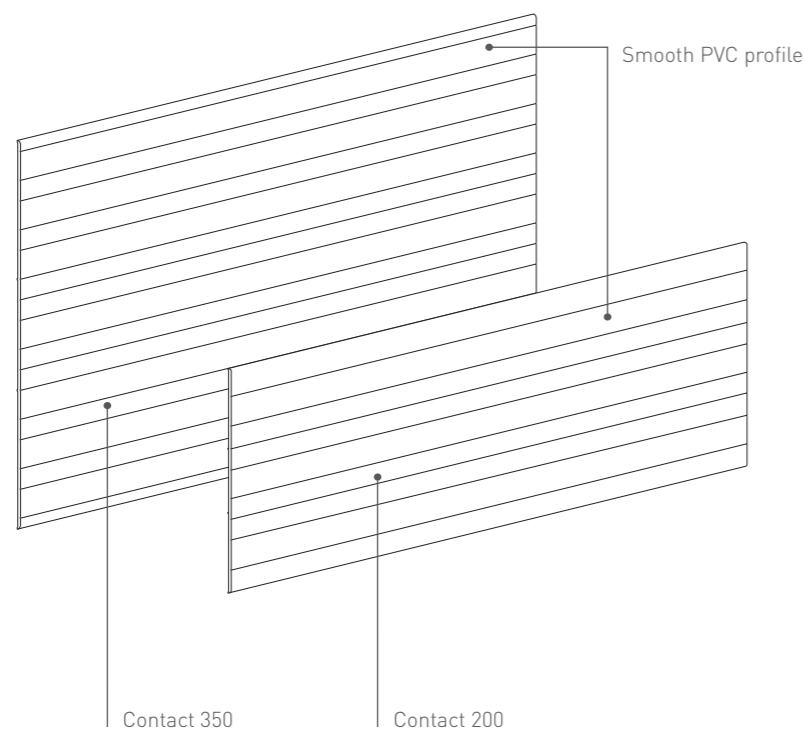
APPLICATIONS

Both resistant and decorative, the Contact protection plates prevent damage to doors and walls exposed to furniture and bed scratches, chair frictions and repeated impacts from trolleys (corridors, bedrooms and waiting rooms in public buildings).

It also matches the Impact protection rails.

DESCRIPTION

- Model: Contact 350 or 200 adhesive protection plate
- Height: 350 or 200 mm
- Thickness: 2.5 mm
- Length: 4 m
- Material: antibacterial and Bs2d0 fire-rated PVC, solid colour
- Surface finish: smooth with decorative grooves
- Fixing: adhesive foam tapes to reinforce with SPM multipurpose adhesive sealant
- Colours: 39
 - 28 in stock and 11 on order for Contact 200
 - 12 sur stock and 27 on order for Contact 350



SPECIFICATION

- Description: adhesive protection plate (Contact 350 or 200 as manufactured by SPM) from smooth and antibacterial PVC achieving Bs2d0 reaction to fire classification with solid colour. PVC profile is 350 or 200 mm high and 2.5 mm thick. It provides a smooth surface finish with decorative grooves. A protective film is specified to minimise cleaning before acceptance. It is provided with 2 or 3 strips of double-sided adhesive foam tape for fixing.
- Environment: no heavy metals and no substance potentially subjected to any REACH restriction are used in its manufacture, nor PBT/ BPA. The calcium-zinc thermal stabilisation process is used. The emission level of volatile substance in inside air has been tested according to ISO 16000-6 and is very low (A+) according to the French regulation (23 March 2011 nr 2011-321 Decree and 19 April 2011 Order). 100% of the product are recyclable.
- Colour: selected by architects from manufacturer's standard range.
- Installation method: adhesive. SPM multipurpose adhesive sealant is recommended for stronger fixing.



**NEW
MATTE FINISH**



Decochoc | 39 colours

Colours available per product: please see the colour summary hinge

DECOCHOC

PROTECTION AND COVERING PANEL - 2 MM



APPLICATIONS

Wall protection for large surfaces in order to cover all parts exposed to impact. This panel can be used in bedrooms and some corridors (healthcare institutions, schools, etc.) and both in operating theatres or cleanrooms.

The product can be thermoformed for use on round pillars (diameter under 800 mm) and to ensure a perfect hygiene in the angles.

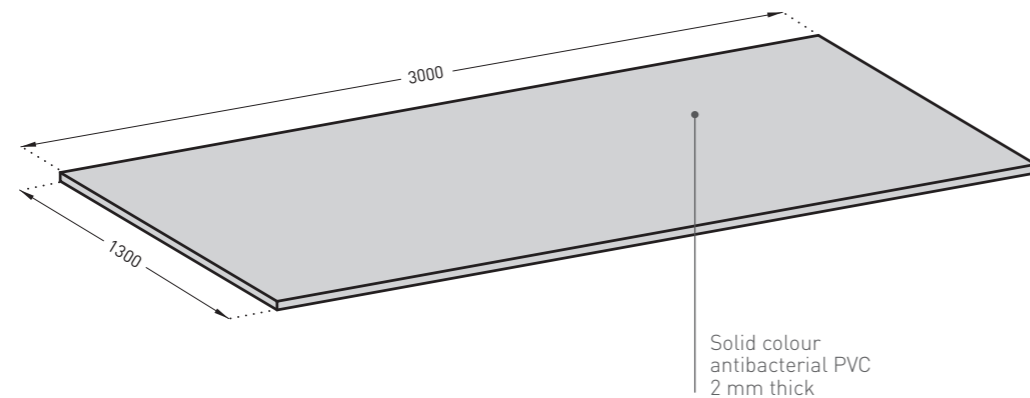
Its finish is subtle and matt for a muted, sober appearance with all the usual levels of resistance to impact, scratches, wear and chemical agents.

DESCRIPTION

- Model: Decochoc protection and covering panel
- Standard dimensions: 3 m x 1.30 m
- Custom options: cutting to size, bend into L/U, thermoforming, chamfer
- Thickness: 2 mm
- Material: antibacterial and Bs2d0 fire-rated PVC, solid colour
- Surface finish: slightly textured and matte ("Hydr'X" finish)
- Fixing: adhesive bonding with SPM acrylic glue or SPM multipurpose adhesive sealant. Joints between panels can be made using silicone joints or PVC welding rods, colour matched to the range
- Colours: 39

SPECIFICATION

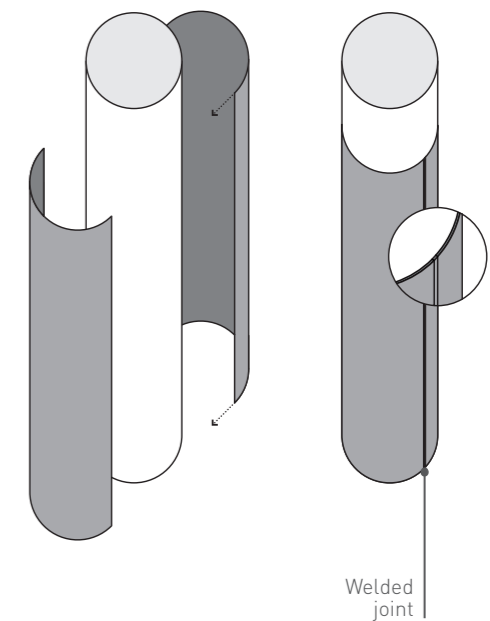
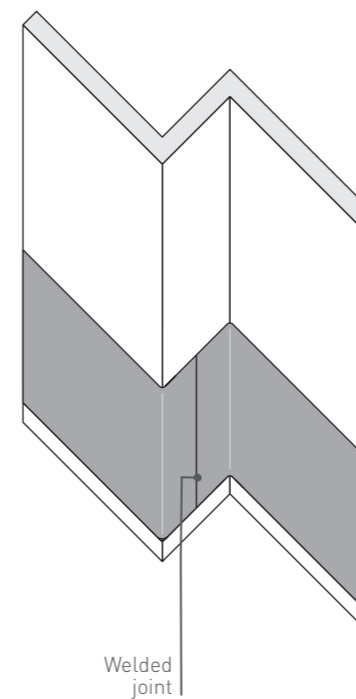
- Description: protection and covering panel (Decochoc as manufactured by SPM) from rigid and antibacterial PVC achieving Bs2d0 reaction to fire classification with solid colour and slightly textured and matte surface ("Hydr'X" finish as manufactured by SPM). 3 m long, 1.30 m high, 2 mm thick.
- The level required for biocleaning should be validated for very high infectious risk areas such as operating theatres (*sector 4 according to the Pasteur Institute of Lille France*). The chemical and mark resistance should have been proved on the usual cleaning products according to NF EN ISO 26987. The ease of nuclear decontamination according to DIN 25415 / ISO 8690 should be excellent.
- Environment: no heavy metals and no substance potentially subjected to any REACH restriction are used in its manufacture, nor PBT/BPA. The calcium-zinc thermal stabilisation process is used. The emission level of volatile substance in inside air has been tested according to ISO 16000-6 and is very low (A+) according to the French regulation (23 March 2011 nr 2011-321 Decree and 19 April 2011 Order). 100% of the product are recyclable. Over 20% of the product comes from recycled material.
- Colour: selected by architects from manufacturer's standard range.
- Installation method: glue as per manufacturer's instructions.



FOR AN IMPECCABLE FINISH:

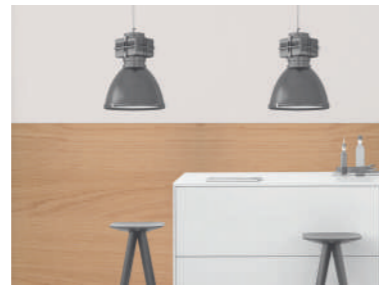
- Fin'Alu: finishing and jointing profiles in satin silver anodised aluminium
- Fin'Color: finishing and jointing profiles in smooth PVC
- Silicone joints
- Welding rods

Colour coordinated with the panels



WALL PROTECTION





Decowood | 7 wood decors



Colours available per product: please see the colour summary hinge



Decotrend | 4 trend decors



Colours available per product: please see the colour summary hinge

DECOWOOD

DECORATIVE PROTECTION AND COVERING PANEL - 2 MM WOOD DECOR



APPLICATIONS

This panel has been designed to protect from impacts, scratches and frictions whilst offering protection and warmth of a wood effect finish in retirement homes, clinics, schools, hotels...

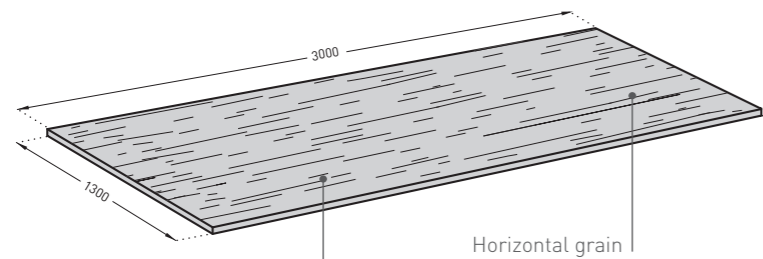
The product can be thermoformed for use on round pillars (diameter under 800 mm) and to ensure a perfect hygiene in the angles.

DESCRIPTION

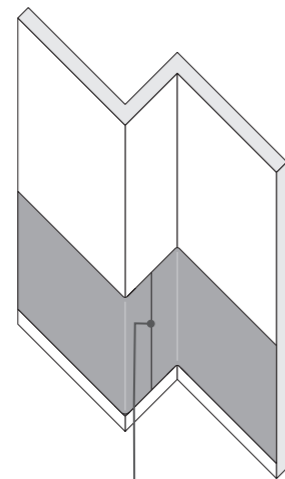
- Model: Decowood decorative protection and covering panel
- Standard dimensions: 3 m x 1.30 m
- Custom options: cutting to size, bend into L/U, thermoforming, chamfer
- Thickness: 2 mm
- Material: Bs2d0 fire-rated PVC
- Surface finish: wood decor
- Fixing: adhesive bonding with SPM acrylic glue or SPM multipurpose adhesive sealant. Joints between panels can be made using silicone joints or PVC welding rods, colour matched to the range.
- Colours: 7 wood decors

SPECIFICATION

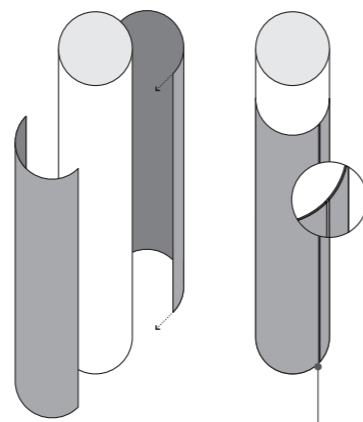
- Description: wood effect decorative protection and covering panel (Decowood as manufactured by SPM) from rigid wood effect PVC achieving Bs2d0 reaction to fire classification and impact and scratch resistance. A protective film is specified to minimise cleaning before acceptance. 3.00 m long, 1.30 m high, 2 mm thick.
- Environment: no heavy metals and no substance potentially subjected to any REACH restriction are used in its manufacture, nor PBT/BPA. The calcium-zinc thermal stabilisation process is used. The emission level of volatile substance in inside air has been tested according to ISO 16000-6 and is very low (A+) according to the French regulation (23 March 2011 nr 2011-321 Decree and 19 April 2011 Order). 100% of the product are recyclable. Over 20% of the product comes from recycled material.
- Colour: selected by architects from manufacturer's standard range.
- Installation method: glue as per manufacturer's instructions.



PVC wood decor 2 mm thick



Welded joint



Welded joint

DECOTREND

DECORATIVE PROTECTION AND COVERING PANEL - 2 MM TREND DECOR



APPLICATIONS

This range of panels uplifts and highlights interiors in an original manner and fits into a modern and urban design.

Their high degree of strength is useful for covering walls of bedrooms, reception areas and dining areas in hotels, retirement homes, schools or any form of establishment open to the public.

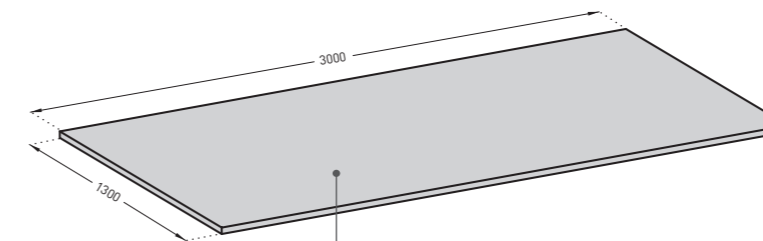
The product can be thermoformed for use on round pillars (diameter under 800 mm) and to ensure a perfect hygiene in the angles.

DESCRIPTION

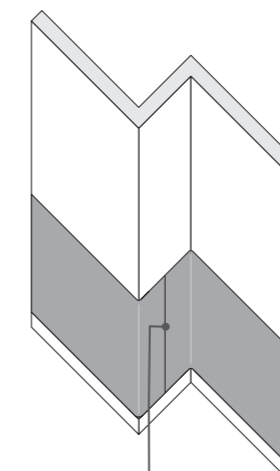
- Model: Decotrend decorative protection and covering panel
- Standard dimensions: 3 m x 1.30 m
- Custom options: cutting to size, bend into L/U, thermoforming, chamfer
- Thickness: 2 mm
- Material: Bs2d0 fire-rated PVC
- Surface finish: metalized or concrete or corten decor
- Fixing: adhesive bonding with SPM acrylic glue or SPM multipurpose adhesive sealant. Joints between panels can be made using silicone joints or PVC welding rods, colour matched to the range
- Colours: 4 trend decors

SPECIFICATION

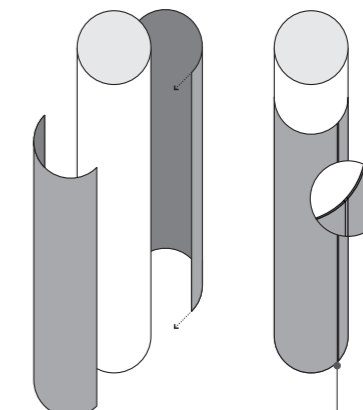
- Description: trend effect decorative protection and covering panel (Decotrend as manufactured by SPM) from rigid metalized or concrete or corten effect PVC achieving Bs2d0 reaction to fire classification and impact and scratch resistance. A protective film is specified to minimise cleaning before acceptance. 3.00 m long, 1.30 m high, 2 mm thick.
- Environment: no heavy metals and no substance potentially subjected to any REACH restriction are used in its manufacture, nor PBT/ BPA. The calcium-zinc thermal stabilisation process is used. The emission level of volatile substance in inside air has been tested according to ISO 16000-6 and is very low (A+) according to the French regulation (23 March 2011 nr 2011-321 Decree and 19 April 2011 Order). 100% of the product are recyclable. Over 20% of the product comes from recycled material.
- Colour: selected by architects from manufacturer's standard range.
- Installation method: glue as per manufacturer's instructions.



PVC trend decor 2 mm thick



Welded joint



Welded joint



Colours available per product: please see the colour summary hinge

DECOCLEAN

SMOOTH PROTECTION AND COVERING PANEL - 2 MM



APPLICATIONS

This wall protection has been especially developed for areas exposed to a high risk of infection in order to help in the fight against in-hospital illnesses and to reduce bacterial proliferation.

It is recommended for:

- Operating theatres,
- Intensive care, transplant and serious burns wards,
- Neonatology,
- Central sterilisation,
- All high infection risk areas, including those at Level 4 on the Pasteur scale (France).

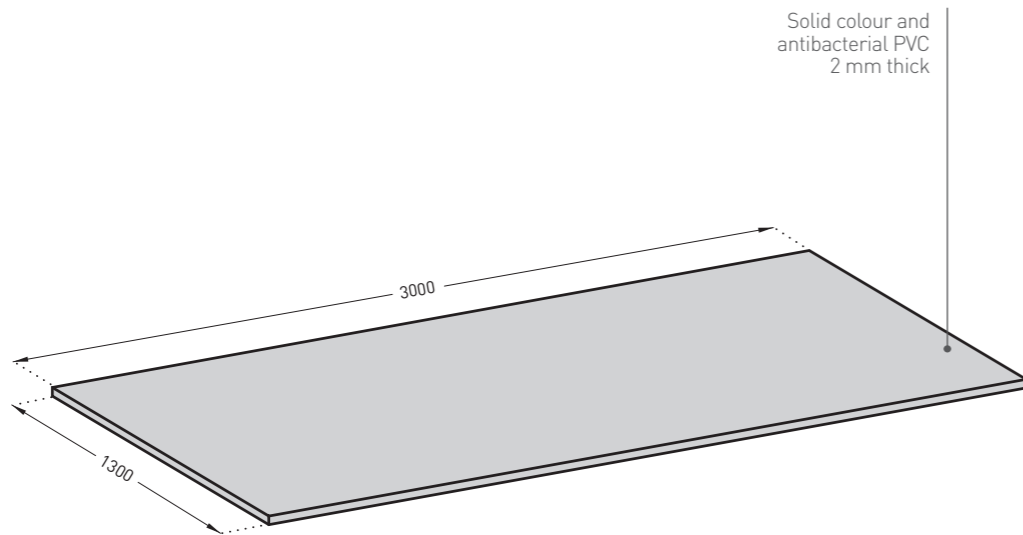
The product can be thermoformed for use on round pillars (diameter under 800 mm) and to ensure a perfect hygiene in the angles.

DESCRIPTION

- Model: Decoclean smooth protection and covering panel
- Standard dimensions: 3 m x 1.30 m
- Custom options: cutting to size, bend into L/U, thermoforming, chamfer
- Thickness: 2 mm
- Material: antibacterial and Bs2d0 fire-rated PVC, solid colour
- Surface finish: smooth
- Fixing: adhesive bonding with SPM acrylic glue or SPM multipurpose adhesive sealant. Joints between panels can be made using silicone joints or PVC welding rods, colour matched to the range
- Colours: 5

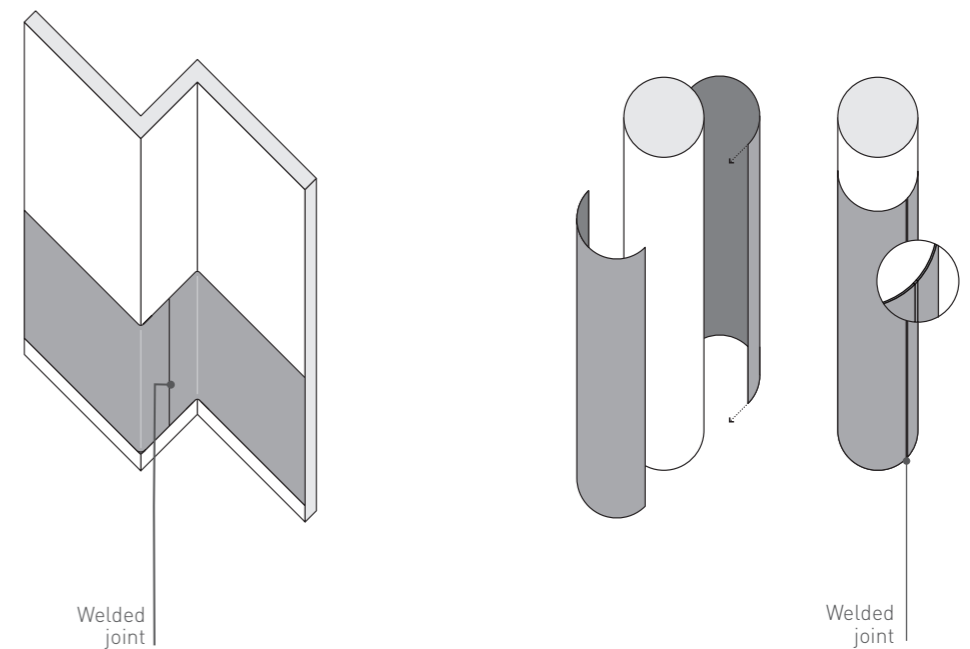
SPECIFICATION

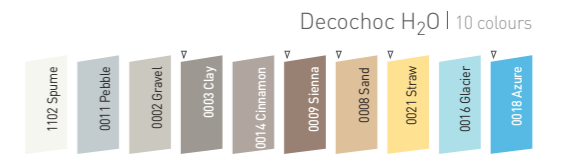
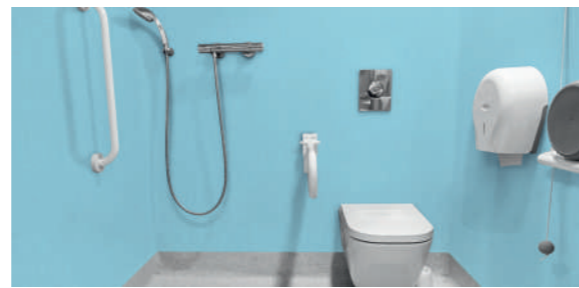
- Description: smooth protection and covering panel (Decoclean as manufactured by SPM) from rigid and antibacterial PVC achieving Bs2d0 reaction to fire classification with solid colour and smooth surface. 3.00 m long, 1.30 m high, 2 mm thick. A protective film is specified to minimise cleaning before acceptance.
- The level required for biocleaning should be validated for very high infectious risk areas such as operating theatres (*sector 4 according to the Pasteur Institute of Lille France*). The chemical and mark resistance should have been proved on the usual cleaning products according to NF EN ISO 26987. The ease of nuclear decontamination according to DIN 25415 / ISO 8690 should be excellent. For installation in areas where the particle contamination have to be mastered, the ISO Class 5 certification is required according the ISO 14644-1 standard.
- Environment: no heavy metals and no substance potentially subjected to any REACH restriction are used in its manufacture, nor PBT/BPA. The calcium-zinc thermal stabilisation process is used. The emission level of volatile substance in inside air has been tested according to ISO 16000-6 and is very low [A+] according to the French regulation (23 March 2011 nr 2011-321 Decree and 19 April 2011 Order). 100% of the product are recyclable.
- Colour: selected by architects from manufacturer's standard range.
- Installation method: glue as per manufacturer's instructions.



FOR AN IMPECCABLE FINISH:

- Silicone joints
 - Welding rods
- Colour coordinated with the panels





Colours on order

Colours available per product: please see the colour summary hinge

DECOCHOC H₂O

PROTECTION AND COVERING PANEL - 1.5 MM FOR WET AREAS



APPLICATIONS

Panel specially designed to protect walls and doors in wet rooms (bathrooms, toilets, kitchens, etc.). Its finely grained, matt surface provides optimal water repellency and scratch resistance.

The product can be thermoformed for use on round pillars (diameter under 800 mm) and to ensure a perfect hygiene in the angles.

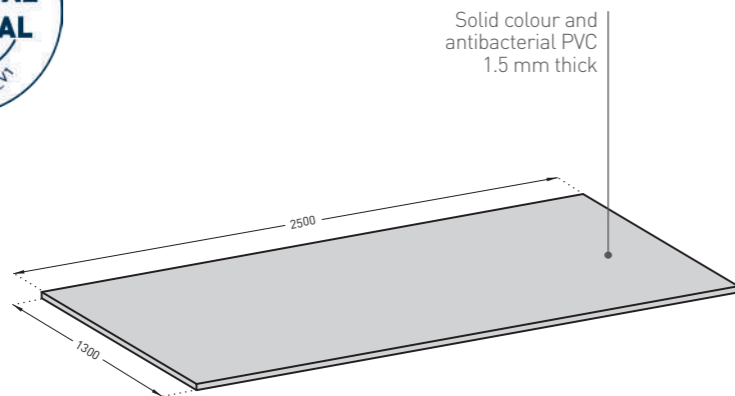
The formulation is specifically developed to ensure an optimum fusion of panels and floor coving with the H₂O welding rods matching the profile colours. This system provides total watertightness, approved by the CSTB and certified by a Technical Approval (France).

DESCRIPTION

- Model: Decochoc H₂O protection and covering panel for wet areas
- Standard dimensions: 2.50 m x 1.30 m
- Custom options: cutting to size, bend into L/U, thermoforming, chamfer
- Thickness: 1.5 mm
- Material: antibacterial and Bs2d0 fire-rated PVC, solid colour
- Surface finish: slightly textured. Specific wet area "Hydr'X" grain
- Fixing: adhesive bonding with SPM acrylic glue. Joints between panels should be made using PVC welding rods, colour matched to the range
- Colours: 10
 - 5 in stock
 - 5 on order

SPECIFICATION

- Description: protection and covering panel for wet areas (Decochoc H₂O as manufactured by SPM) from rigid and antibacterial PVC achieving Bs2d0 reaction to fire classification with solid colour. Its surface is slightly textured with a fine and matte grain finish ("Hydr'X" grain as manufactured by SPM) perfectly suitable for wet areas due to its water-repellent qualities that limit the development of scale while ensuring optimal scratch resistance. 2.50 m long, 1.30 m high, 1.5 mm thick.
- To ensure watertightness of the system, the panels are thermowelded to each other and to the PVC floor coving by means of a welding rod (H₂O welding rod as manufactured by SPM). Any connections with other materials are made with a silicone joint (H₂O silicone joint as manufactured by SPM). The chemical and mark resistance of the panel should have been proven on the usual cleaning products according to NF EN ISO 26987.
- Environment: no heavy metals and no substance potentially subjected to any REACH restriction are used in its manufacture, nor PBT/BPA. The calcium-zinc thermal stabilisation process is used. The emission level of volatile substance in inside air has been tested according to ISO 16000-6 and is very low (A+) according to the French regulation (23 March 2011 nr 2011-321 Decree and 19 April 2011 Order). 100% of the product are recyclable. Over 20% of the product comes from recycled material.
- Colour: selected by architects from manufacturer's standard range.
- Installation method: glue as per manufacturer's instructions. The installer must have been trained beforehand by the manufacturer to install this system.

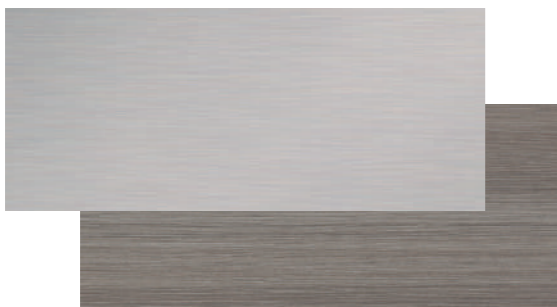


Solid colour and antibacterial PVC 1.5 mm thick

FOR AN IMPECCABLE AND PERFECTLY WATERTIGHT FINISH:

- Welding rods H₂O
 - Silicone joints H₂O
- Colour coordinated with the panels





Decotrend H₂O | 1 Decor

0050 Brushed Aluminium

Decowood H₂O | 2 Decors

0089 Brushed Cedar

0088 Smoky Cedar

▼ Decors on order

Colours available per product: please see the colour summary hinge

DECOTREND H₂O & DECOWOOD H₂O

DECORATIVE PROTECTION AND COVERING PANEL - 2 MM FOR WET AREAS



APPLICATIONS

Panels specially designed to protect walls and doors in wet rooms (bathrooms, toilets, kitchens, etc.). Original, design and trendy, they enhance interiors with efficient protection.

They can be thermoformed for use on round pillars (diameter under 800 mm) and to ensure a perfect hygiene in the angles.

Their formulation is specifically developed to ensure an optimum fusion of panels and floor covering with the H₂O welding rod matching the profile colours. This system provides total watertightness, approved by the CSTB and certified by a Technical Approval (France).

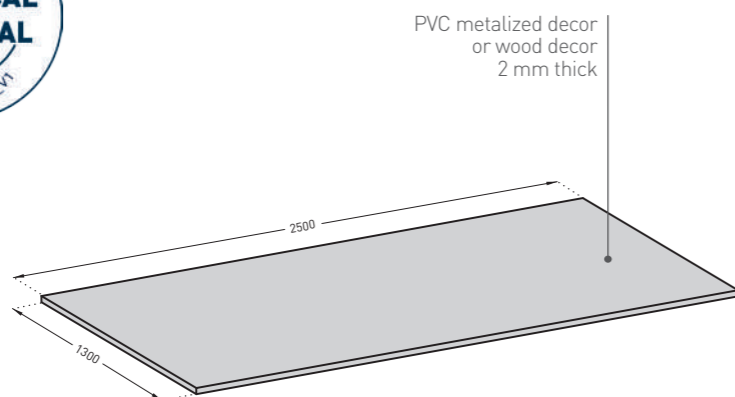
DESCRIPTION

- Model: Decowood H₂O or Decotrend H₂O decorative protection and covering panel for wet areas
- Standard dimensions: 2.50 m x 1.30 m
- Custom options: cutting to size, bend into L/U, thermoforming, chamfer
- Thickness: 2 mm
- Material: Bs2d0 fire-rated PVC
- Surface finish:
 - metalized decor for Decotrend
 - wood decor for Decowood
- Fixing: adhesive bonding with SPM acrylic glue. Joints between panels should be made using PVC welding rods, colour matched to the range
- Colours: 3 decors
 - 1 in stock for Decotrend H₂O
 - 2 on order for Decowood H₂O

SPECIFICATION

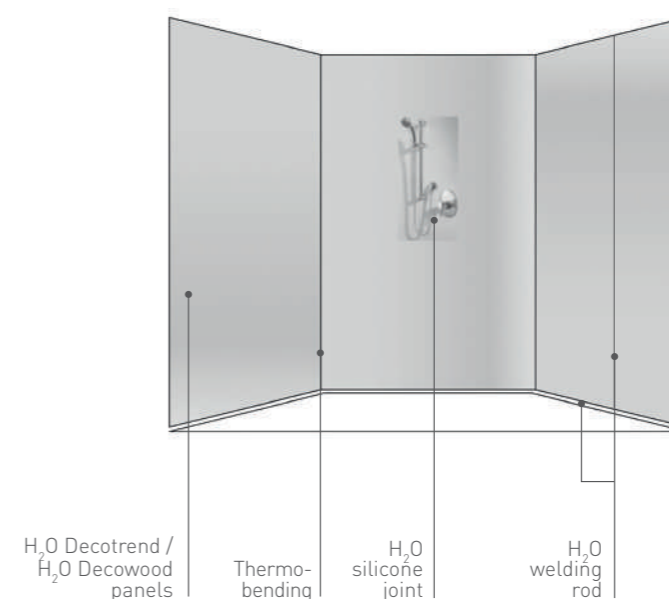
- Description: decorative protection and covering panel for wet areas (Decotrend H₂O or Decowood H₂O as manufactured by SPM) from rigid PVC with metalized or wood decor achieving Bs2d0 reaction to fire classification. The surface finish is metalized or wood effect. 2.50 m long, 1.30 m high, 2 mm thick. A protective film is specified to minimise cleaning before acceptance.
- To ensure watertightness of the system, the panels are thermowelded to each other and to the PVC floor covering by means of a welding rod (H₂O welding rod as manufactured by SPM). Any connections with other materials are made with a silicone joint (H₂O silicone joint as manufactured by SPM). The chemical and mark resistance of the panel should have been proven on the usual cleaning products according to NF EN ISO 26987.

- Environment: no heavy metals and no substance potentially subjected to any REACH restriction are used in its manufacture, nor PBT/BPA. The calcium-zinc thermal stabilisation process is used. The emission level of volatile substance in inside air has been tested according to ISO 16000-6 and is very low (A+) according to the French regulation (23 March 2011 nr 2011-321 Decree and 19 April 2011 Order). 100% of the product are recyclable. Over 20% of the product comes from recycled material.
- Colour: selected by architects from manufacturer's standard range.
- Installation method: glue as per manufacturer's instructions. The installer must have been trained beforehand by the manufacturer to install this system.



FOR AN IMPECCABLE AND PERFECTLY WATERTIGHT FINISH:

- Welding rods H₂O
 - Silicone joints H₂O
- Colour coordinated with the panels

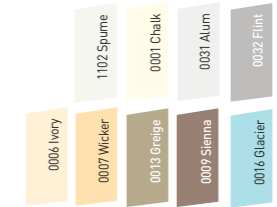


WALL PROTECTION





Decochoc Staro | 9 colours



Colours available per product: please see the colour summary hinge

DECOCHOC STARO

PROTECTION AND COVERING PANEL - 1.5 MM



APPLICATIONS

Decochoc Staro, the new SPM protection and covering panel, is a PVC-free solution.

With solid colour and finely textured matt surface finish, Decochoc Staro offers a wide range of applications that allows you a great deal of freedom when designing your layouts.

Resistant to chemical substances, this panel guarantees perfect cleanability.

With Decochoc Staro, SPM is providing a solution designed to meet the high requirements of the healthcare and education sectors. One of the main characteristics of the product lies in its compatibility with the extremely stringent requirements of Bs1d0 reaction to fire classification.

With a long lifecycle, it respects the environment and contributes to the sustainability.

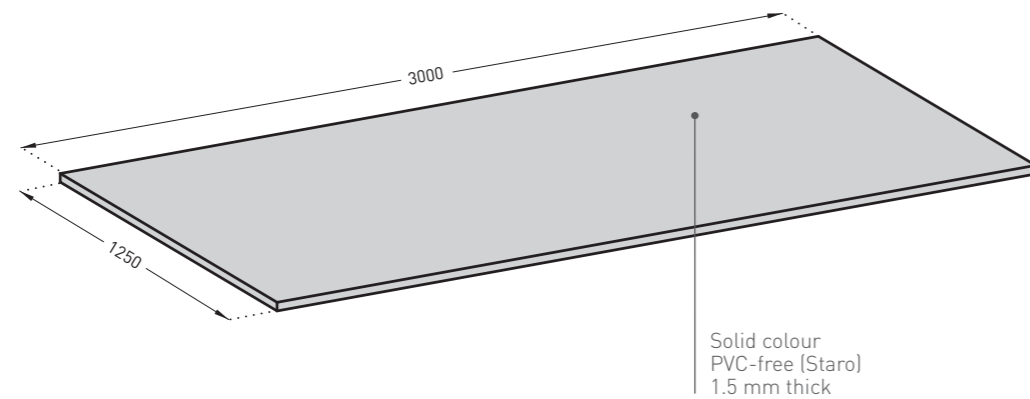
The range comprises nine modern colours.

DESCRIPTION

- Model: Decochoc Staro protection and covering panel
- Standard dimensions: 3 m x 1.25 m
- Custom options: cutting to size, bend into L/U, thermoforming, chamfer
- Thickness: 1.5 mm
- Material: Bs1d0 fire-rated PVC-free (Staro), solid colour
- Surface finish: slightly textured and matte ("Hydr'X" finish)
- Fixing: adhesive bonding with SPM acrylic glue or SPM multipurpose adhesive sealant. Joints between panels can be made using silicone joints, colour matched to the range
- Colours: 9

SPECIFICATION

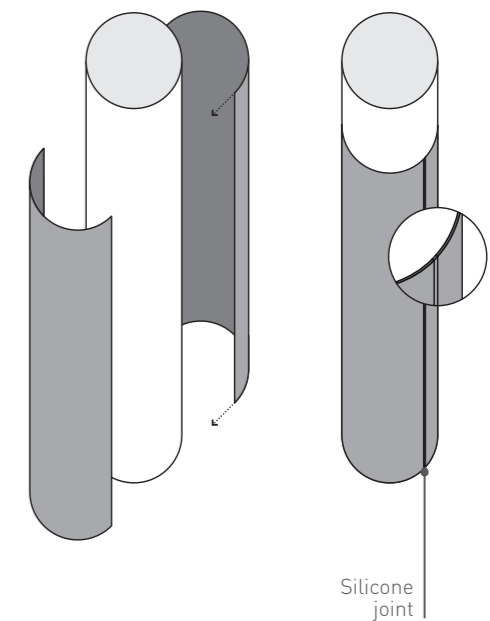
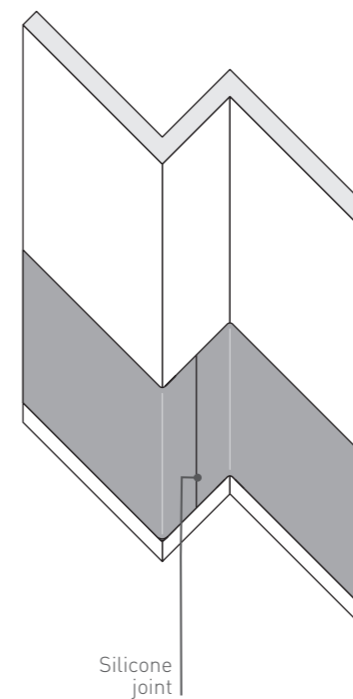
- Description: protection and covering panel (Decochoc Staro as manufactured by SPM) from rigid PVC-free (Staro) achieving Bs1d0 reaction to fire classification with solid colour and slightly textured and matte surface ("Hydr'X" finish as manufactured by SPM). 3 m long, 1.25 m high, 1.5 mm thick.
- The level required for biocleaning should be validated for very high infectious risk areas such as operating theatres (*sector 4 according to the Pasteur Institute of Lille France*). The chemical and mark resistance should have been proved on the usual cleaning products according to NF EN ISO 26987, ASTM D543 and ASTM D1308.
- Environment: no heavy metals and no substance potentially subjected to any REACH restriction are used in its manufacture, nor PBT/BPA. The emission level of volatile substance in inside air has been tested according to ISO 16000-6 and is very low (A+) according to the French regulation (23 March 2011 nr 2011-321 Decree and 19 April 2011 Order). 100% of the product are recyclable.
- Colour: selected by architects from manufacturer's standard range.
- Installation method: glue as per manufacturer's instructions.

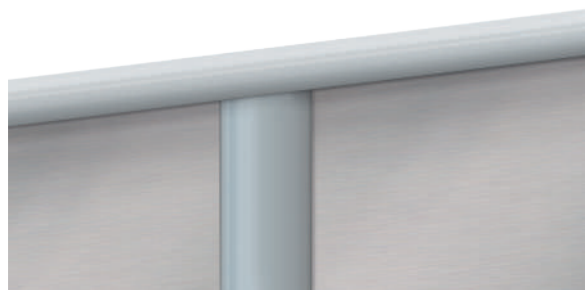


FOR AN IMPECCABLE FINISH:

- Fin'Alu: finishing and jointing profiles in satin silver anodised aluminium
- Fin'Color: finishing and jointing profiles in smooth PVC
- Silicone joints

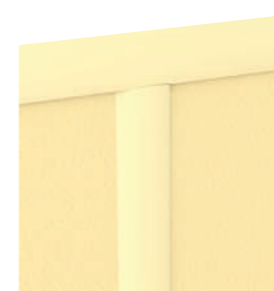
Colour coordinated with the panels





Fin'Alu | 1 finish

Satin silver anodised



Fin'Color | 39 colors



Colours available per product: please see the colour summary hinge



FIN'ALU

FINISHING AND JOINTING PROFILES FOR 2 MM PANELS

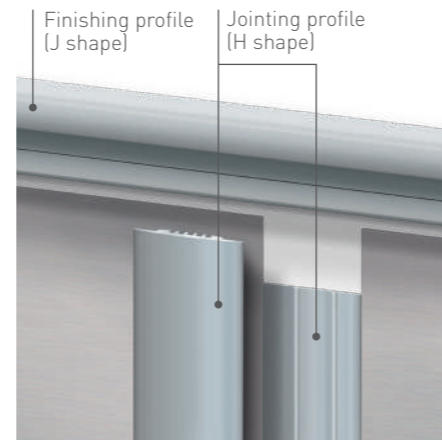
DECOCHOC, DECOWOOD AND DECOTREND PANELS

APPLICATIONS

Fin'Alu profiles are designed to finish or joint Decochoc, Decowood and Decotrend protection panels and to bring a decorative and up-market original touch. They provide a perfect finish in low-traffic corridors, waiting rooms or bedrooms. They fit into healthcare facilities (hospitals, clinics, retirement homes) as well as hotels and service sector.

DESCRIPTION

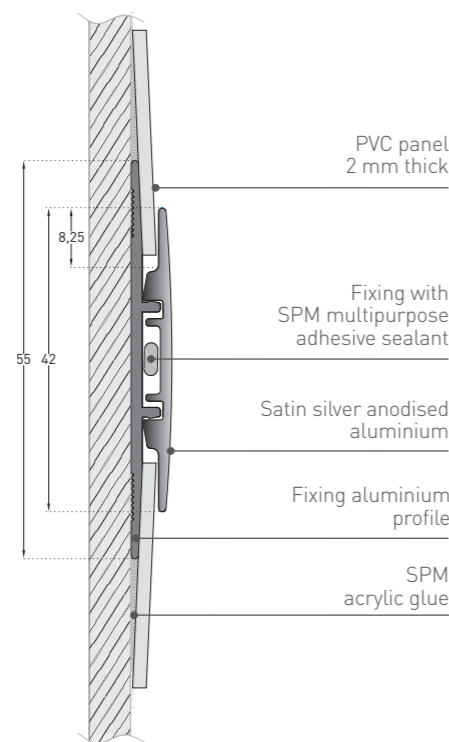
- Model: Fin'Alu finishing (J shape) or jointing (H shape) profile for 2 mm thick panels
- Width (covering):
 - 18 mm (37.5 mm hidden part) for finishing profile;
 - 42 mm (55 mm hidden part) for joint profile
- Length: 3 m
- Material: satin silver anodised aluminium
- Surface finish: smooth
- Fixing: adhesive bonding with SPM acrylic glue or screwing to wall
- Colour: satin silver anodised



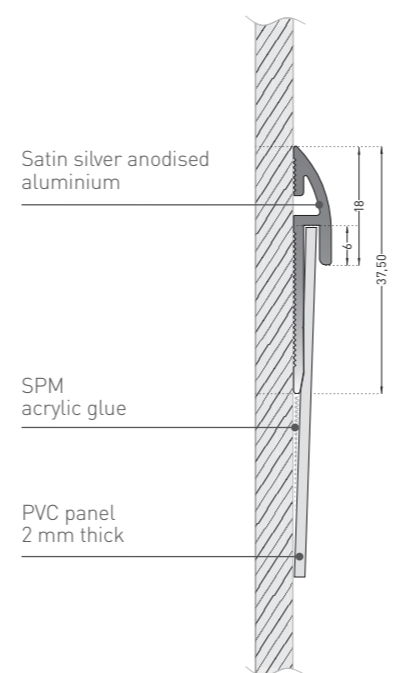
SPECIFICATION

- Description: jointing profile (H shape) in satin silver anodised aluminium (Fin'Alu jointing profile in H shape as manufactured by SPM) designed for vertical or horizontal jointing between 2 mm thick protection panels (Decochoc, Decowood or Decotrend as manufactured by SPM). Smooth surface. The profile, 3 m long and 42 mm wide (visible part), glues onto the continuous aluminium rail, 55 mm wide (hidden part), fixed to the wall by gluing or screwing.
 - Colour: selected by architects from manufacturer's standard range.
 - Installation method: gluing onto aluminium rail to glue or screw to wall as per manufacturer's instructions.
- Description: finishing profile (J shape) in satin silver anodised aluminium (Fin'Alu finishing profile in J shape as manufactured by SPM) designed for vertical or horizontal finishing for 2 mm thick protection panels (Decochoc, Decowood or Decotrend as manufactured by SPM). Smooth surface, 3 m long, 18 mm wide for the visible part and 37.5 mm for the hidden part fixed to the wall.
 - Colour: selected by architects from manufacturer's standard range.
 - Installation method: glue as per manufacturer's instructions or screwing to wall.

1. JOINTING PROFILE (INTO H SHAPE)



2. FINISHING PROFILE (INTO J SHAPE)



FIN'COLOR

FINISHING AND JOINTING PROFILES FOR 2 MM PANELS

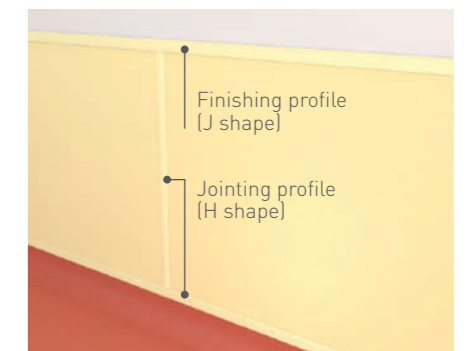
DECOCHOC, DECOCLEAN, DECOWOOD AND DECOTREND PANELS

APPLICATIONS

Fin'Color are PVC profiles that provide an aesthetic finish and a perfect joint between panels or between panel and flexible floor covering. Available in all colours in the range, to be matched with our protection panels, they bring a subtle decorative touch for a harmonious whole. They are suitable for low traffic areas, enhancing all types of public buildings.

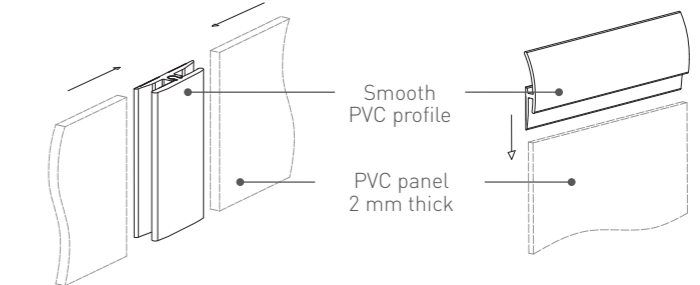
DESCRIPTION

- Model: Fin'Color finishing (J shape) or jointing (H shape) profile for 2 mm thick panels
- Width (visible part):
 - 20.5 mm for finishing profile
 - 21.5 mm for jointing profile
- Length: 3 m
- Material: antibacterial and Bs2d0 fire-rated PVC, solid colour
- Surface finish: smooth
- Fixing: adhesive bonding with SPM acrylic glue or SPM multipurpose adhesive sealant
- Colours: 39

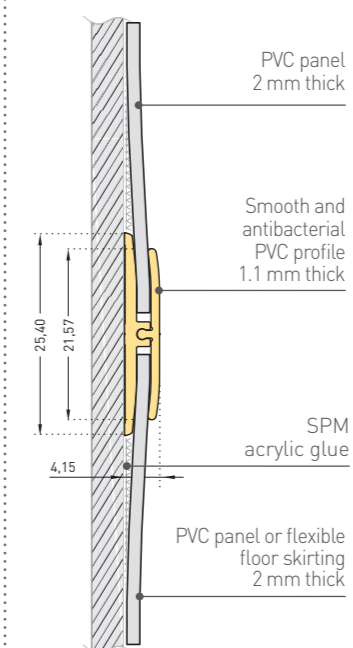


SPECIFICATION

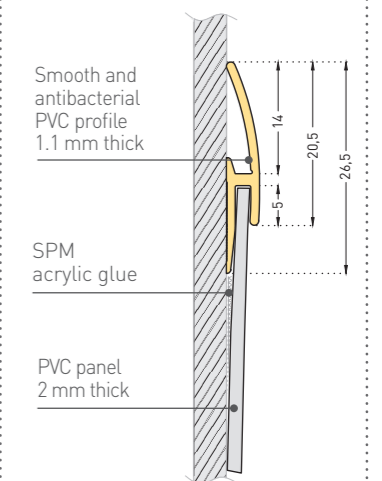
- Description: jointing profile (H shape) from antibacterial PVC achieving Bs2d0 reaction to fire classification with solid colour (Fin'Color jointing profile in H shape as manufactured by SPM) designed for horizontal or vertical jointing between 2 mm thick protection panels (Decochoc, Decoclean, Decowood or Decotrend as manufactured by SPM) or the connection of these panels with 2 mm flexible floor covering. Smooth surface, 3 m long, 21.5 mm wide for the visible part.
 - Environment: no heavy metals and no substance potentially subjected to any REACH restriction are used in its manufacture, nor PBT/BPA. The calcium-zinc thermal stabilisation process is used. The emission level of volatile substance in inside air has been tested according to ISO 16000-6 and is very low (A+) according to the French regulation (23 March 2011 nr 2011-321 Decree and 19 April 2011 Order). 100% of the product are recyclable.
 - Colour: selected by architects from manufacturer's standard range.
 - Installation method: glue as per manufacturer's instructions.
- Description: finishing profile (J shape) from antibacterial PVC achieving Bs2d0 reaction to fire classification with solid colour (Fin'Color finishing profile in J shape as manufactured by SPM) designed for horizontal or vertical finishing for 2 mm thick protection panels (Decochoc, Decoclean, Decowood or Decotrend as manufactured by SPM). Smooth surface, 3 m long, 20.5 mm wide for the visible part.
 - Environment: no heavy metals and no substance potentially subjected to any REACH restriction are used in its manufacture, nor PBT/BPA. The calcium-zinc thermal stabilisation process is used. The emission level of volatile substance in inside air has been tested according to ISO 16000-6 and is very low (A+) according to the French regulation (23 March 2011 nr 2011-321 Decree and 19 April 2011 Order). 100% of the product are recyclable.
 - Colour: selected by architects from manufacturer's standard range.
 - Installation method: glue as per manufacturer's instructions.

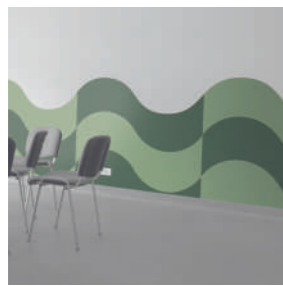


1. JOINTING PROFILE (INTO H SHAPE)

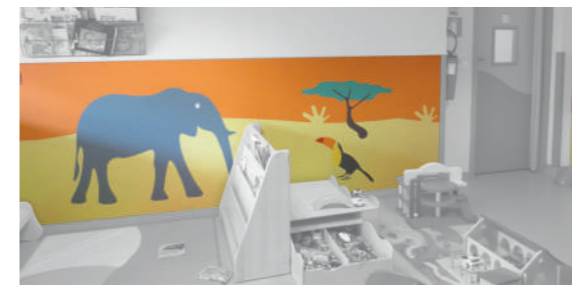


2. FINISHING PROFILE (INTO J SHAPE)

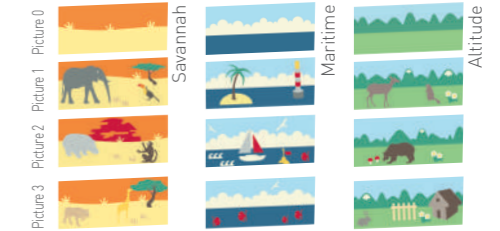




Decofresc - All public contemporary frescoes | 39 colours



Kidfresc | 3 themes



DECOFRESC

PROTECTION AND COVERING DECORATIVE FRESCO - 2 MM
ALL PUBLIC CONTEMPORARY

Colours available per product: please see the colour summary hinge



APPLICATIONS

The contemporary Decofresc decorative frescoes provide an attractive setting in public buildings.

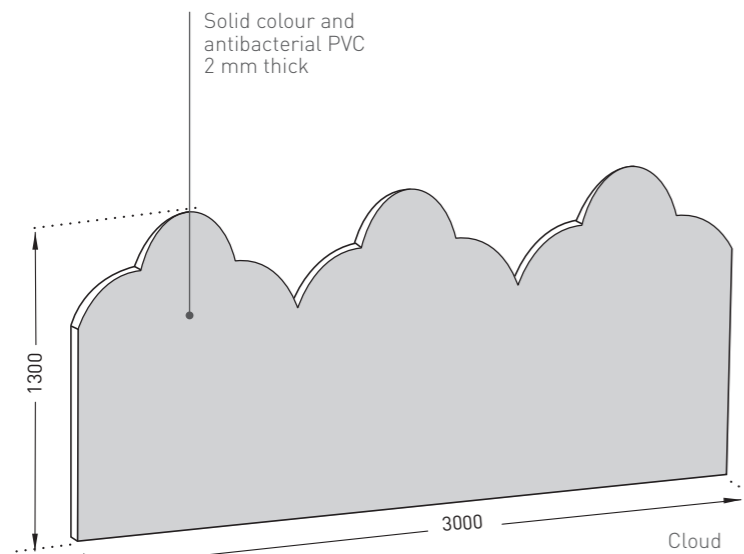
They bring a touch of elegance and customization while protecting walls and they meet hygiene and impact resistance requirements.

DESCRIPTION

- Model: all public contemporary Decofresc protection and covering decorative fresco
- Standard dimensions: 3 m x 1.30 m indivisible
- Thickness: 2 mm
- Material: antibacterial and Bs2d0 fire-rated PVC, solid colour
- Surface finish: slightly textured and matte ("Hydr'X" finish)
- Fixing: adhesive bonding with SPM acrylic glue or SPM multipurpose adhesive sealant. Joints between panels can be made using silicone joints or PVC welding rods, colour matched to the range
- Colours: 39

SPECIFICATION

- Description: protection and covering decorative fresco (Cloud or Wave Decofresc as manufactured by SPM) from rigid and antibacterial PVC achieving Bs2d0 reaction to fire classification with solid colour and slightly textured and matte surface ("Hydr'X" finish as manufactured by SPM). 3 m long, 1.30 m high (indivisible), 2 mm thick.
- Environment: no heavy metals and no substance potentially subjected to any REACH restriction are used in its manufacture, nor PBT/BPA. The calcium-zinc thermal stabilisation process is used. The emission level of volatile substance in inside air has been tested according to ISO 16000-6 and is very low (A+) according to the French regulation (23 March 2011 nr 2011-321 Decree and 19 April 2011 Order). 100% of the product are recyclable. Over 20% of the product comes from recycled material.
- Colour: selected by architects from manufacturer's standard range.
- Installation method: glue as per manufacturer's instructions.



NOTA

Frescoes made from cut-to-size Decochoc panels (p.56-57).



Wave



Cloud

KIDFRESC

DECORATION AND COVERING FRESCO - 1 MM



APPLICATIONS

The Kidfresc decorative frescoes are especially designed to brighten up and durably protect walls in establishments who hope to create an attractive, welcoming atmosphere that stimulates children's imagination. They meet the constraints linked to the early childhood: hygiene and impact resistance.

DESCRIPTION

- Model: Kidfresc decoration and covering fresco
- Standard dimensions: 2.90 m x 1.20 m indivisible
- Thickness: 1 mm
- Material: translucent PVC-free Bs1d0 fire-rated with image printed on the back
- Surface finish: matt and smooth
- Fixing: adhesive bonding with SPM acrylic glue or SPM multipurpose adhesive sealant. Joints between panels can be made using silicone joints, colour matched to the range
- Colours: 3 themes each with 4 pictures (in predefined colours)

SPECIFICATION

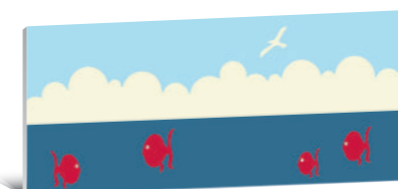
- Description: decoration and covering fresco (Savannah, Maritime or Altitude Kidfresc as manufactured by SPM). From translucent and rigid PVC-free achieving Bs1d0 reaction to fire classification with images printed on the back. Its height is 1.20 m and its length is 2.90 m and is 1 mm thick. A protective film is specified to minimise cleaning before acceptance.
- Environment: no heavy metals and no substance potentially subjected to any REACH restriction are used in its manufacture, nor PBT/BPA. The emission level of volatile substance in inside air has been tested according to ISO 16000-6 and is very low (A+) according to the French regulation (23 March 2011 nr 2011-321 Decree and 19 April 2011 Order). 100% of the product are recyclable.
- Colour: selected by architects from manufacturer's standard range.
- Installation method: glue as per manufacturer's instructions.



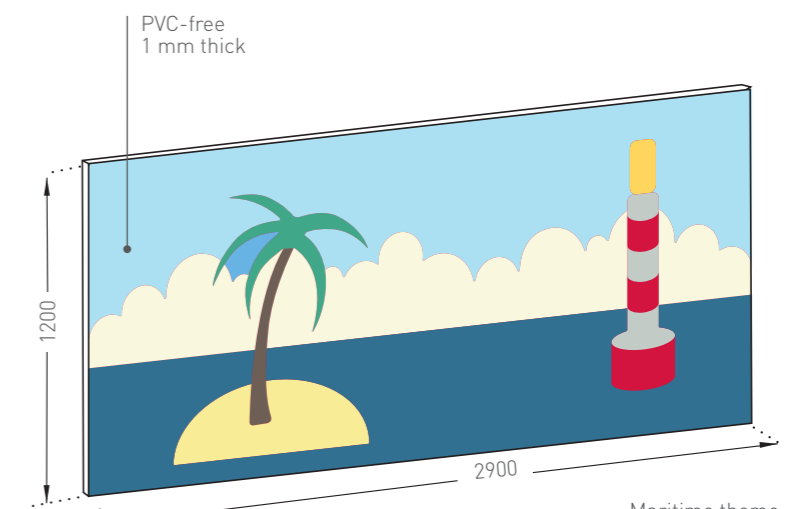
Altitude theme (4 pictures)



Savannah theme (4 pictures)



Maritime theme (4 pictures)



Maritime theme picture n°1



RELEASE THE CREATIVITY OF YOUR WALLS !

The perfect combination to decorate and customize your interior.

More than a panel which covers your walls, Decoprint combines your inspiration and aesthetic ideal to your compelling need to preserve your interior.

Decoprint enhances your walls, your doors, and offers a touch of elegance in your establishment. Decoprint comes to infinity in any living space.

Let your creativity flow, we realize your custom-made project.

DECOPRINT

DECORATION AND COVERING PANEL - 1 MM WITH CUSTOMIZED DIGITAL PRINTING

APPLICATIONS

The Decoprint printed panel is the original solution created and developed by SPM. We custom-build your decoration panel, using digital printing to place your image (photograph, drawing, logo, text, etc.) on the back of the panel, in the requested size. It is also possible to link images to provide a continuous image.

It enhances a touch of elegance and originality in buildings looking for aesthetic or signage solutions to cover walls in form.

The Decoprint panel creates a welcoming environment while meeting the hygiene requirements necessary in buildings that are open to the public.

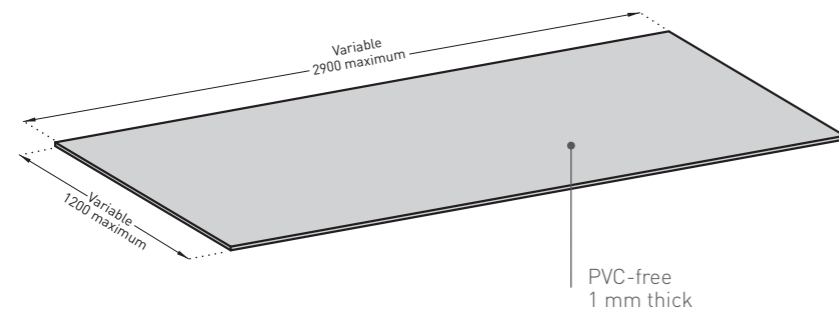
DESCRIPTION

- Model: Decoprint decoration and covering panel with customized digital printing
- Height: made-to-measure (maximum 1.20 m)
- Width: made-to-measure (maximum 2.90 m)
- Thickness: 1 mm
- Material: translucent and Bs1d0 fire-rated PVC-free with image printed on the back
- Surface finish: matt and smooth
- Fixing: adhesive bonding with SPM acrylic glue or SPM multipurpose adhesive sealant. Joints between panels can be made using silicone joints, colour matched to the range.
- Colours: translucent for customization.

SPECIFICATION

- Description: decoration and covering panel with customized digital printing (Decoprint as manufactured by SPM). Translucent and rigid PVC-free achieving Bs1d0 reaction to fire classification with images printed on the back, its surface is matt and smooth. Its maximum height is 1.20 m and its maximum length is 2.90 m and is 1 mm thick. A protective film is specified to minimise cleaning before acceptance.
- Environment: no heavy metals and no substance potentially subjected to any REACH restriction are used in its manufacture, nor PBT/BPA. The emission level of volatile substance in inside air has been tested according to ISO 16000-6 and is very low (A+) according to the French regulation (23 March 2011 nr 2011-321 Decree and 19 April 2011 Order). 100% of the product are recyclable.
- Colour: customized and selected by architects*
- Installation: glue as per manufacturer's instructions.

* The reproduced images or photos, provided by the user in accordance with SPM requested specification, must be free of copyright - if they are not, the reproduction rights are payable by the user, who has full responsibility.



NOTA

The reproduced images or photos, provided by the user in accordance with SPM requested specification, must be free of copyright - if they are not, the reproduction rights are payable by the user, who has full responsibility.

SPM CARRIES OUT YOUR CUSTOMIZED PANEL! WITH DECOPRINT, NO LIMITS FOR YOUR WALLS...

- Select the size of your panel (H. 1.20 m maximum / L. 2.90 m maximum),
- Select your image and send it to us as a JPEG file HD 300 dpi minimum. Images available on request - Please contact us.
- It is also possible to link images of several panels to provide a continuity.
- We proceed to the assembly of your model, to the printing and to the delivery of your customized panel.
- For a high-quality printing of your Decoprint projects, SPM recommends the image platforms Shutterstock and Adobe Stock.



EXAMPLES OF AVAILABLE VISUALS



Call our local service for answers to all your questions and to create a customized panel.



WALL PROTECTION





DECOSIGN

CUSTOMIZED AND MADE-TO-MEASURE SIGNAGE – 1 MM
-DIGITAL PRINTING-



DESCRIPTION

- Model: Decosign – Decoprint option, printed customized signage
- Dimensions: made-to-measure
- Thickness: 1 mm
- Material: PVC-free Bs1d0 fire-rated with image printed on the back
- Surface finish: matt and smooth
- Fixing: adhesive bonding with SPM acrylic glue or SPM multipurpose adhesive sealant

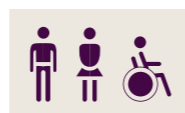
SPECIFICATION

- Description: customized signage (Decosign – Decoprint option as manufactured by SPM), from translucent and rigid PVC-free achieving Bs1d0 reaction to fire classification with images printed on the back. Its surface is matt and smooth. Dimensions and shapes are made-to-measure and is 1 mm thick. A protective film is specified to minimise cleaning before acceptance.
- Environment: no heavy metals and no substance potentially subjected to any REACH restriction are used in its manufacture, nor PBT/BPA. The emission level of volatile substance in inside air has been tested according to ISO 16000-6 and is very low (A+) according to the French regulation (23 March 2011 nr 2011-321 Decree and 19 April 2011 Order). 100% of the product are recyclable.
- Model: supplied by architects.
- Installation method: glue as per manufacturer's instructions.

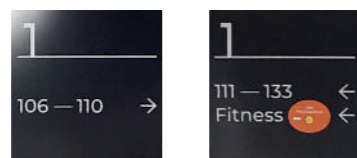
APPLICATIONS

Decosign is an original and decorative solution of signage to inform and guide visitors and to make visible the key areas of your establishment.

Decosign in Decoprint panel let your creativity flow thanks to digital printing on the back of the exposed face: dimension, shape, colour, decor...



SOME EXAMPLES



Decochoc | 39 colours

Decotrend | 4 trend decors

Decowood | 7 wood decors

Colours available per product: please see the colour summary hinge



DECOSIGN

CUSTOMIZED SIGNAGE – 2 MM
-CUT-TO-SIZE AND MADE-TO-MEASURE-

It offers a touch of elegance and originality to establishments looking for a signage and aesthetic solution to inform and to contribute to create a welcoming atmosphere in public buildings.

Decosign in Decochoc, Decowood or Decotrend panel allow you to match the signage with the SPM wall protections and handrails. Let you choose the shape, the dimensions, the text, the colour and we realize your customized and made-to-measure signage.

DESCRIPTION

- Model: Decosign – Decochoc or Decowood or Decotrend option, customized signage
- Dimensions: made-to-measure
- Thickness: 2 mm
- Material: antibacterial and Bs2d0 fire-rated PVC, solid colour
- Surface finish
 - Decochoc: slightly textured and matt ("Hydr'X" finish)
 - Decowood and Decotrend: wood or metalized or concrete or corten decor
- Fixing: adhesive bonding with SPM acrylic glue or SPM multipurpose adhesive sealant
- Colours:
 - 39 for Decochoc
 - 7 for Decowood
 - 4 for Decotrend

SPECIFICATION

- Description: customized signage (Decosign – Decochoc or Decowood or Decotrend option as manufactured by SPM), from rigid and antibacterial PVC achieving Bs2d0 reaction to fire classification. With solid colour, its surface is slightly textured and matte ("Hydr'X" finish as manufactured by SPM) for Decochoc. Decowood offers a wood effect surface finish and Decotrend a metalized or concrete or corten effect. Dimensions and shapes are made-to-measure, and thickness is 2 mm.
- Environment: no heavy metals and no substance potentially subjected to any REACH restriction are used in its manufacture, nor PBT/BPA. The emission level of volatile substance in inside air has been tested according to ISO 16000-6 and is very low (A+) according to the French regulation (23 March 2011 nr 2011-321 Decree and 19 April 2011 Order). 100% of the product are recyclable. Over 20% of the product comes from recycled material.
- Model: supplied by architects.
- Installation method: glue as per manufacturer's instructions.

SOME ACHIEVEMENTS



Colours are not contractually binding.



For further information about installation of SPM accessories and use of glues, silicone joints and welding rods, please consult our Installation Procedure Guide.

PLAC'INOX

BRUSHED STAINLESS STEEL PROTECTION PLATE - 10/10th



APPLICATIONS

Plac'Inox protection plate reinforces those areas subject to impacts and is approved for food-handling areas (304L).

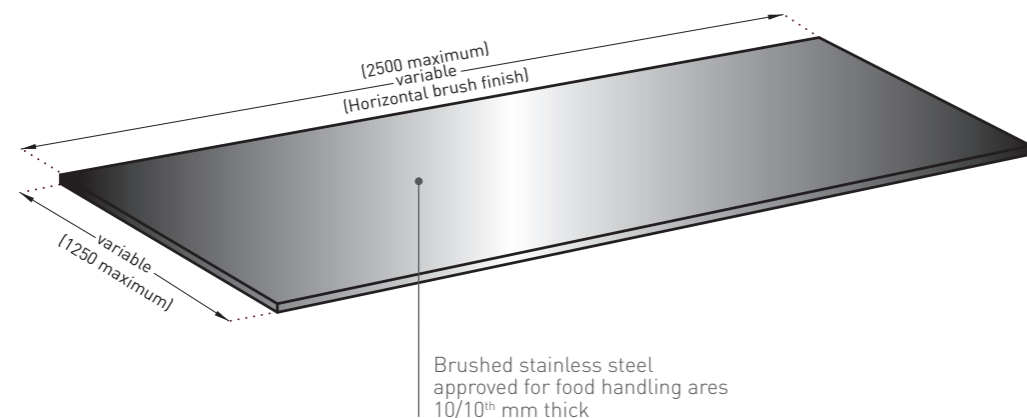
Suitable for use in areas of heavy use or wet places, they are particularly useful in the food and pharmaceutical industries as well as in healthcare establishments, central kitchens, etc.

DESCRIPTION

- Model: Plac'Inox protection plate
- Height: as required (1.25 m maxi)
- Length: as required (2.50 m maxi)
- Thickness: 10/10th
- Material: stainless steel (304L approved for food handling areas)
- Fixing: adhesive bonding with SPM multipurpose adhesive sealant
- Finish: brushed metal

SPECIFICATION

- Description: protection plate (Plac'Inox as manufactured by SPM) 10/10th thick in brushed stainless steel 304L approved for food handling areas. Its maximum length is 2.50 m and its maximum height 1.25 m. A protective film is specified to minimise cleaning before acceptance.
- Finish: brushed metal.
- Installation method: glue as per manufacturer's instructions.



SOLUTIONS FOR PANELS

FIXING



SPM universal primer
(100 to 150 g required per m²)
5 l drum



SPM acrylic glue - Simple bonding
Solvent-free
(300 g required per m²)
Available in 6 or 14 kg jars



SPM MS Polymer glue - Simple bonding
Solvent-free
(300 g required per m²)
11 kg jar



SPM multipurpose adhesive sealant
Solvent-free
290 ml cartridge (about 25 ml of cord)



Double-sided foam adhesive roll 4957/15 - 15 mm wide
25 m roll
(contact us prior to use)



Double-sided adhesive roll 4970/50 - 50 mm wide
For installation on doors or laminates
50 m roll
(contact us prior to use)



Silicone joint for Decochoc, Decowood, Decotrend, Decoclean, and Decochoc H₂O panels (matching colours)
310 ml cartridge - (about 12 m of cord)



Welding rod for Decochoc, Decowood, Decotrend, Decoclean and Decochoc H₂O panels (matching colours)
100 m roll

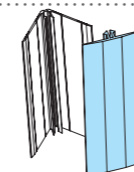
FINISHING AND JOINTING PROFILES



Fin'Color
Finishing and jointing profiles for Decochoc, Decoclean, Decowood and Decotrend panels
Antibacterial PVC*
L. 3.00 m
(See p. 69)



Fin'Alu
Finishing and jointing profiles for Decochoc, Decowood and Decotrend panels
Satin silver anodized aluminium
L. 3.00 m
(See p. 68)



Fin'Angle
Internal angle jointing profile with mounting base for Decochoc, Decochoc H₂O panels
Antibacterial PVC* (white base)
L. 3.00 m

*Colours available per product: please see the colour summary hinge.

CORNER PROTECTION

Corners are particularly prone to damage so they need to be well protected.

SPM has developed a complete range of carefully designed corner protectors which combat wear and provide effective, safe protection. The corner protectors are either adhesive, for corners exposed to light impact, or on aluminium core, for corners in areas with intense activity, whether 90° or not.

All have the same properties: they resist impact and effects of cleaning and disinfectant products, and have a Bs2d0 reaction to fire classification..



CORNEA



COMBO' CORNER



PROFILA



SOLUTIONS



LINEA'FLEX



PROTECTA 2



PROFILA



CORNEAFLEX

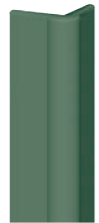


CORNEA

CORNER PROTECTION

ON ALUMINIUM CORE

ADHESIVE



CORNEA p.82
90° corner protector
with strip on core



CORNEAFLEX p.83
135° and variable angle corner
protector with flexible strip on
core



COMBO'CORNER p.84
90° corner protectors
on core



COMBO'CORNER p.85
135° angle corner
protector on core



LINEA'FLEX p.86
Flexible adhesive corner protector
with variable angle endcap



PROTECTA 2 p.87
Variable angle flexible adhesive
corner protector



PROFILA p.88
90° adhesive
corner protectors



PROFIL'INOX p.89
90° Adhesive corner protectors
in brushed stainless steel

CORNER
PROTECTION

CODE	DESCRIPTION	MATERIAL	COLOUR RANGE
CORNEA	90° corner protector with strip on core	PVC + aluminium	39 colours
CORNEAFLEX	135° and variable angle corner protector with flexible strip on core	PVC + aluminium	5 colours
COMBO'CORNER	90° and 135° angle corner protectors on core	PVC + aluminium	39 colours

Colours available per product: please see the colour summary hinge

CODE	DESCRIPTION	MATERIAL	COLOUR RANGE
LINEA'FLEX	80° to 115° flexible adhesive corner protector with endcap	PVC	39 colours
PROTECTA 2	50° to 155° flexible adhesive corner protector	PVC	39 colours
PROFILA	90° adhesive corner protectors	PVC	39 colours
PROFIL'INOX	90° adhesive corner protectors	Stainless steel	Brushed finish

Colours available per product: please see the colour summary hinge



Colours on order

CORNEA

90° CORNER PROTECTOR WITH STRIP ON CORE

Colours available per product: please see the colour summary hinge



APPLICATIONS

Efficient protection for 90° angles exposed to heavy impact from trolleys and carts. A unique rounded edge makes corners harmless.

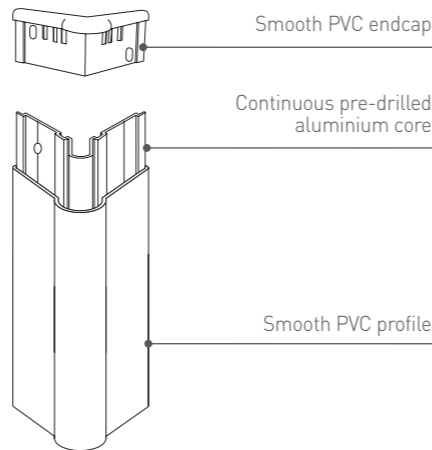
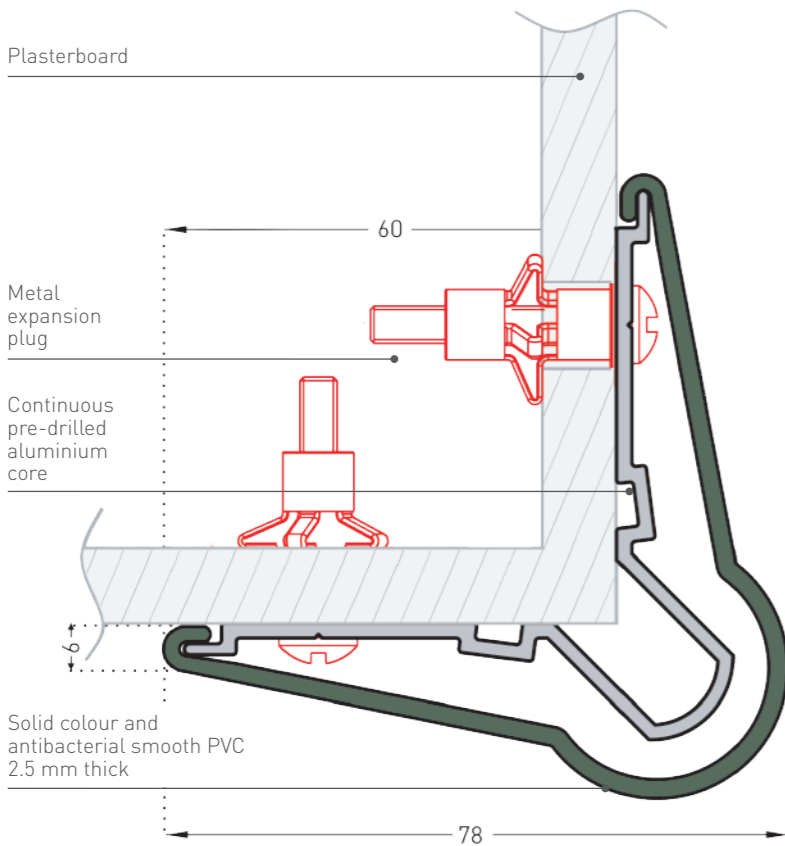
Recommended for corridors and entrances to hospitals, clinics, laboratories, central kitchens, schools.

DESCRIPTION

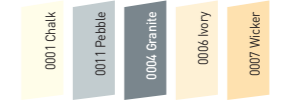
- Model: Cornea corner protector with strip on core
- Angle: 90°
- Wing width: 60 mm (internal measurement)
- Length: 1.30 m, 2.00 m or 4.00 m
- Material: antibacterial and Bs2d0 fire-rated PVC, solid colour, 2.5 mm thick
- Surface finish: smooth
- Fixing system: continuous pre-drilled aluminium core
- Colours: 39
- 28 in stock
- 11 on order

SPECIFICATION

- Description: 90° corner protector with strip on core (Cornea as manufactured by SPM) from smooth and antibacterial PVC, 2.5 mm thick, achieving Bs2d0 reaction to fire classification with solid colour. Wings are 60 mm wide (internal measurement) and snap-fix onto a continuous pre-drilled aluminium core. Its rounded edge forms a decorative and harmless strip. A protective film is specified to minimise cleaning before acceptance. The corner protector is finished with a smooth PVC endcap.
- Environment: no heavy metals and no substance potentially subjected to any REACH restriction are used in its manufacture, nor PBT/BPA. The calcium-zinc thermal stabilisation process is used. The emission level of volatile substance in inside air has been tested according to ISO 16000-6 and is very low (A+) according to the French regulation (23 March 2011 nr 2011-321 Decree and 19 April 2011 Order). 100% of the product are recyclable.
- Colour: selected by architects from manufacturer's standard range.
- Installation method: snap-fixes onto continuous pre-drilled aluminium core screwed to the wall.



Corneaflex | 5 colours



Colours available per product: please see the colour summary hinge



CORNEAFLEX

135° AND VARIABLE ANGLE CORNER PROTECTOR WITH FLEXIBLE STRIP ON CORE

APPLICATIONS

High-performance protection for corners: 135° or variable angles. Designed with an impact-resistant flexible edge and flexible PVC reinforcement beads, this product makes corners safe and protects them against heavy traffic.

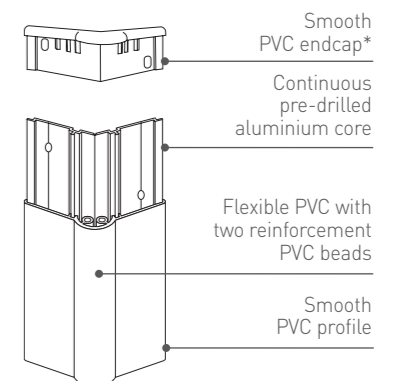
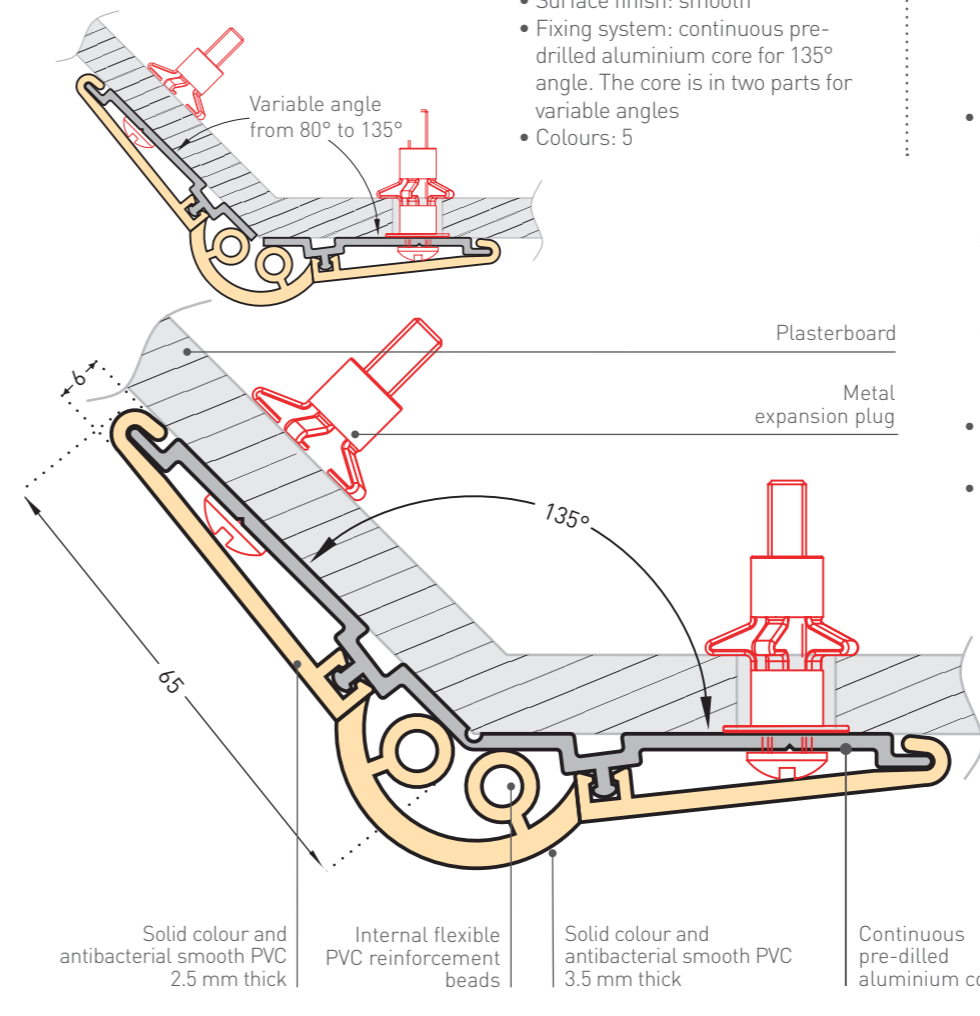
For use in corridors and entrances to kitchens, laboratories, hospitals, clinics and schools.

DESCRIPTION

- Model: Corneaflex corner protector with flexible strip on core
- Angle: 135° or variable angle from 80° to 135°
- Wing width: 65 mm (internal measurement)
- Length:
 - 1.30 m, 2.00 m or 4.00 m (135°)
 - 4.00 m (variable angle)
- Material: antibacterial PVC, solid colour combining
 - rigid wings Bs2d0 fire-rated, 2.5 mm thick
 - a flexible strip, 3.5 mm thick
- Surface finish: smooth
- Fixing system: continuous pre-drilled aluminium core for 135° angle. The core is in two parts for variable angles
- Colours: 5

SPECIFICATION

- Description: 135° or variable angle from 80° to 135° corner protector with flexible strip on core (Corneaflex as manufactured by SPM) from smooth and antibacterial PVC, 2.5 mm to 3.5 mm thick, achieving Bs2d0 reaction to fire classification with solid colour. Wings are 65 mm wide (internal measurement), open at 135° angle or variable angle from 80° to 135°, and snap-fix onto a continuous pre-drilled aluminium core. The rounded flexible central strip forms a decorative and highly effective cushion thanks to two internal flexible PVC reinforcement beads. A protective film is specified to minimise cleaning before acceptance. The 135° corner protector is finished with a smooth PVC endcap. The variable angle corner protector is installed full height (floor-to-ceiling).
- Environment: no heavy metals and no substance potentially subjected to any REACH restriction are used in its manufacture, nor PBT/BPA. The calcium-zinc thermal stabilisation process is used. The emission level of volatile substance in inside air has been tested according to ISO 16000-6 and is very low (A+) according to the French regulation (23 March 2011 nr 2011-321 Decree and 19 April 2011 Order). 100% of the product are recyclable.
- Colour: selected by architects from manufacturer's standard range.
- Installation method: snap-fixes onto continuous pre-drilled aluminium core screwed to the wall.





Colours on order

Colours available per product; please see the colour summary hinge



COMBO'CORNER 75 AND 50

90° CORNER PROTECTORS ON CORE

APPLICATIONS

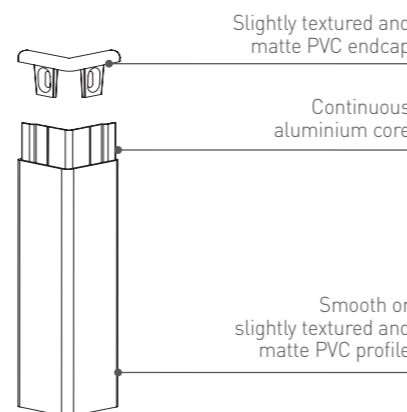
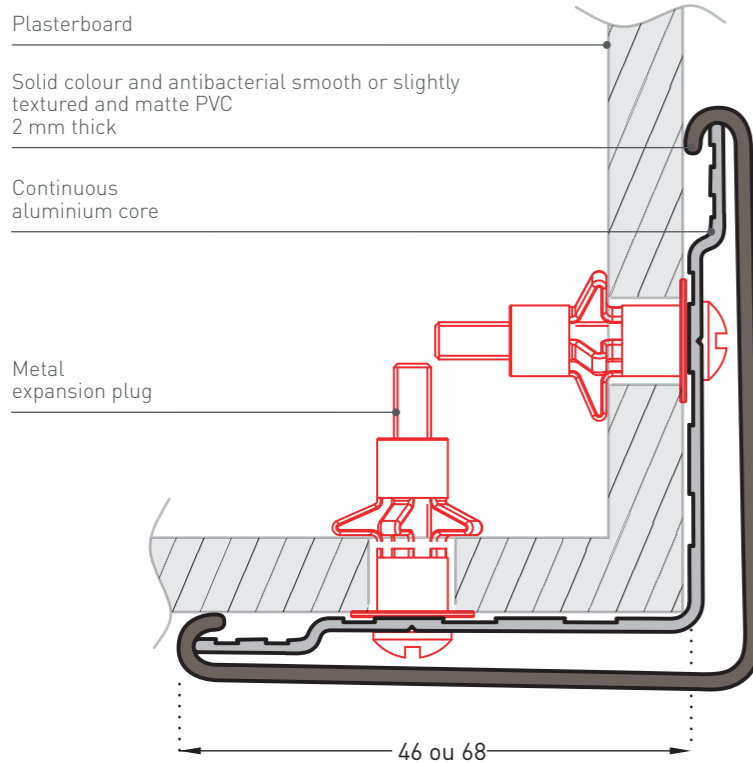
Combo'Corner 75 or 50 protects the 90° corners in corridors from heavy traffic of equipments.

DESCRIPTION

- Model: Combo'Corner 75 or 50 corner protector on core
- Angle: 90°
- Wing width (internal measurement):
 - 68 mm Combo'Corner 75
 - 46 mm Combo'Corner 50
- Length: 1.30 m, 2.00 m or 4.00 m
- Material: antibacterial and Bs2d0 fire-rated PVC, solid colour, 2 mm thick
- Surface finish: smooth or slightly textured and matte («Hydr'X» finish)
- Fixing: continuous aluminium core
- Colours: 39
 - 28 in stock
 - 11 on order

SPECIFICATION

- Description: 90° corner protector on core (Combo'Corner 75 or 50 as manufactured by SPM) from smooth or slightly textured and matte («Hydr'X» finish as manufactured by SPM) and antibacterial PVC, 2 mm thick, achieving Bs2d0 reaction to fire classification with solid colour. Wings are 68 mm or 46 mm wide (internal measurement) and snap-fix onto a continuous aluminium core. The corner protector is finished with a slightly textured PVC endcap.
- Environment: no heavy metals and no substance potentially subjected to any REACH restriction are used in its manufacture, nor PBT/BPA. The calcium-zinc thermal stabilisation process is used. The emission level of volatile substance in inside air has been tested according to ISO 16000-6 and is very low (A+) according to the French regulation (23 March 2011 nr 2011-321 Decree and 19 April 2011 Order). 100% of the product are recyclable.
- Colour: selected by architects from manufacturer's standard range.
- Installation method: snap-fixes onto continuous aluminium core screwed to the wall.



Colours on order

Colours available per product; please see the colour summary hinge



COMBO'CORNER

135° CORNER PROTECTOR ON CORE

APPLICATIONS

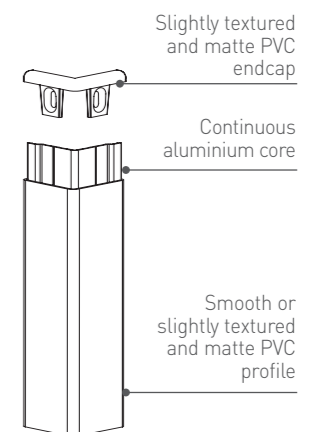
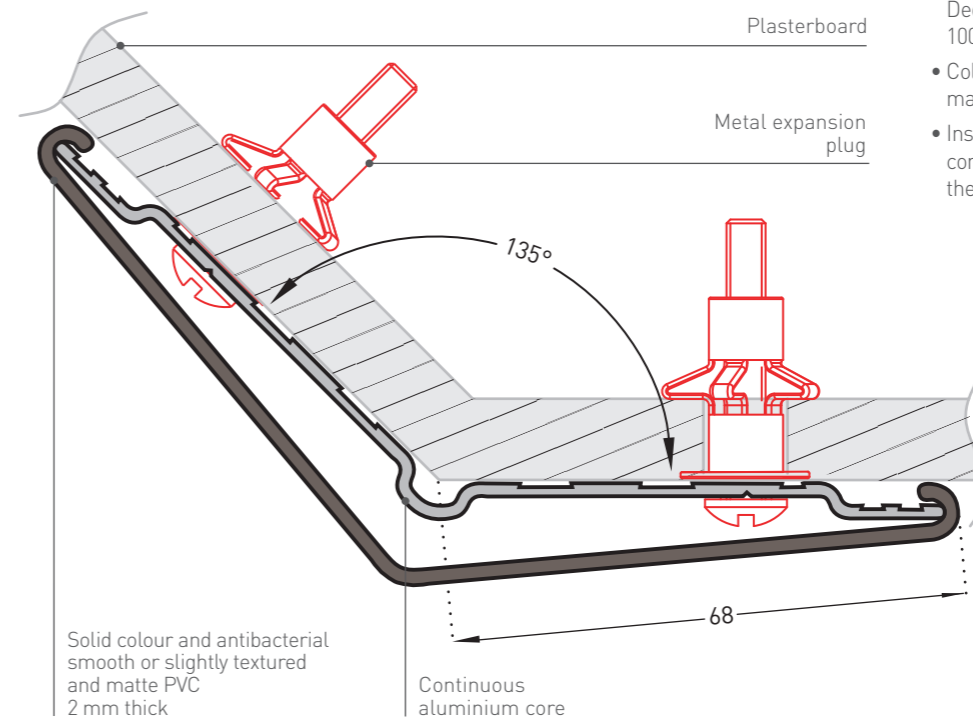
This corner protector prevents high impact damage from wheeled traffic for 135° angles in corridors thanks to its shock absorbent PVC on continuous aluminium core.

DESCRIPTION

- Model: Combo'Corner corner protector on core
- Angle: 135°
- Wing width: 68 mm (internal measurement)
- Length: 1.30 m, 2.00 m or 4.00 m
- Material: antibacterial and Bs2d0 fire-rated PVC, solid colour, 2 mm thick
- Surface finish: smooth or slightly textured and matte («Hydr'X» finish)
- Fixing: continuous aluminium core
- Colours: 39
 - 28 in stock
 - 11 on order

SPECIFICATION

- Description: 135° corner protector on core (Combo'Corner as manufactured by SPM) from smooth or slightly textured and matte («Hydr'X» finish as manufactured by SPM) and antibacterial PVC, 2 mm thick, achieving Bs2d0 reaction to fire classification with solid colour. Wings are 68 mm wide (internal measurement) and snap-fix onto a continuous aluminium core. The corner protector is finished with a slightly textured PVC endcap.
- Environment: no heavy metals and no substance potentially subjected to any REACH restriction are used in its manufacture, nor PBT/BPA. The calcium-zinc thermal stabilisation process is used. The emission level of volatile substance in inside air has been tested according to ISO 16000-6 and is very low (A+) according to the French regulation (23 March 2011 nr 2011-321 Decree and 19 April 2011 Order). 100% of the product are recyclable.
- Colour: selected by architects from manufacturer's standard range.
- Installation method: snap-fixes onto continuous aluminium core screwed to the wall.



CORNER PROTECTION



Colours available per product; please see the colour summary hinge

LINEA'FLEX

FLEXIBLE ADHESIVE CORNER PROTECTOR WITH VARIABLE ANGLE ENDCAP



APPLICATIONS

The Linea'Flex corner protector is the product of advanced technical expertise, combining impact resistance, flexibility and discretion, and blending perfectly with the Linea range. It provides effective protection for all angles from 80° to 115° thanks to its flexible central part mounted on two dampers for added resistance.

Thanks to its variable angle endcap it fits to any height with maximum hygiene.

Installation is quick and easy with two strips of double-sided adhesive tape.

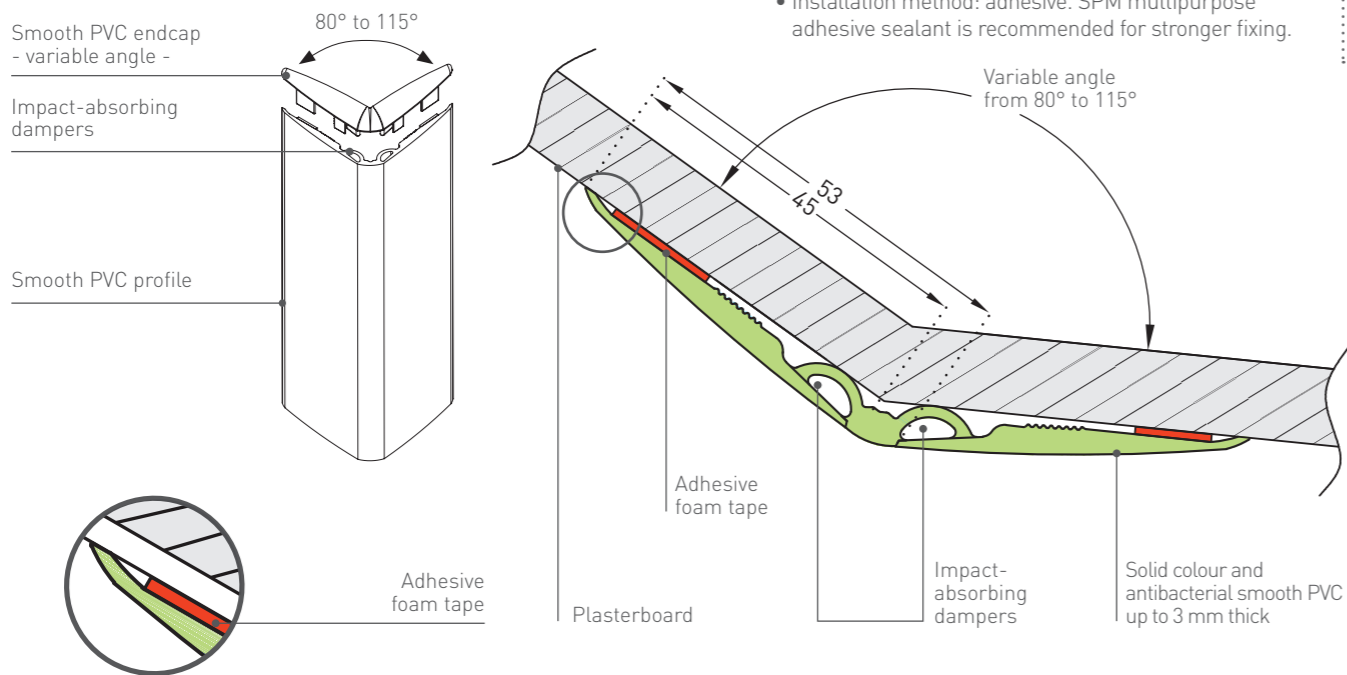
It blends discreetly into corridors and rooms that are exposed to repeated impacts in hospitals, clinics, retirement homes, schools, hotels, restaurants, offices and stores.

DESCRIPTION

- Model: Linea'Flex flexible adhesive corner protector with variable angle endcap
- Angle: from 80° to 115°
- Wing width: 45 mm (internal measurement)
- Thickness: cross-section up to 3 mm
- Length: 1.30 m, 2.00 m or 4.00 m
- Material: antibacterial and Bs2d0 fire-rated PVC, solid colour
- Surface finish: smooth
- Fixing: adhesive foam tapes to reinforce with SPM multipurpose adhesive sealant
- Colours: 39

SPECIFICATION

- Description: variable angle adhesive corner protector (from 80° to 115°) with a variable angle endcap (Linea'Flex as manufactured by SPM) from smooth and antibacterial PVC, 1 mm to 3 mm, achieving Bs2d0 reaction to fire classification with solid colour. Wings are 45 mm wide (internal measurement) and the central part is reinforced with two impact-absorbing dampers. The wrenching grip is minimal by the progressive thickness (1 to 3 mm) and the beveled shape of the wings. This adhesive corner protector achieves an impact resistance in excess of 110 Joules, i.e., an impact of more than 320 kg travelling at 3 km/h. A protective film is specified to minimise cleaning before acceptance. The corner protector is provided with 2 strips of double-sided adhesive foam tape for fixing and is finished with a flexible smooth and beveled PVC endcap.
- Environment: no heavy metals and no substance potentially subjected to any REACH restriction are used in its manufacture, nor PBT/BPA. The calcium-zinc thermal stabilisation process is used. The emission level of volatile substance in inside air has been tested according to ISO 16000-6 and is very low (A+) according to the French regulation (23 March 2011 nr 2011-321 Decree and 19 April 2011 Order). 100% of the product are recyclable.
- Colour: selected by architects from manufacturer's standard range.
- Installation method: adhesive. SPM multipurpose adhesive sealant is recommended for stronger fixing.



Colours available per product; please see the colour summary hinge

PROTECTA 2

VARIABLE ANGLE FLEXIBLE ADHESIVE CORNER PROTECTOR



APPLICATIONS

Thanks to its rounded, reinforced flexible strip, this product provides efficient, decorative and economical protection for all corners exposed to frequent impact.

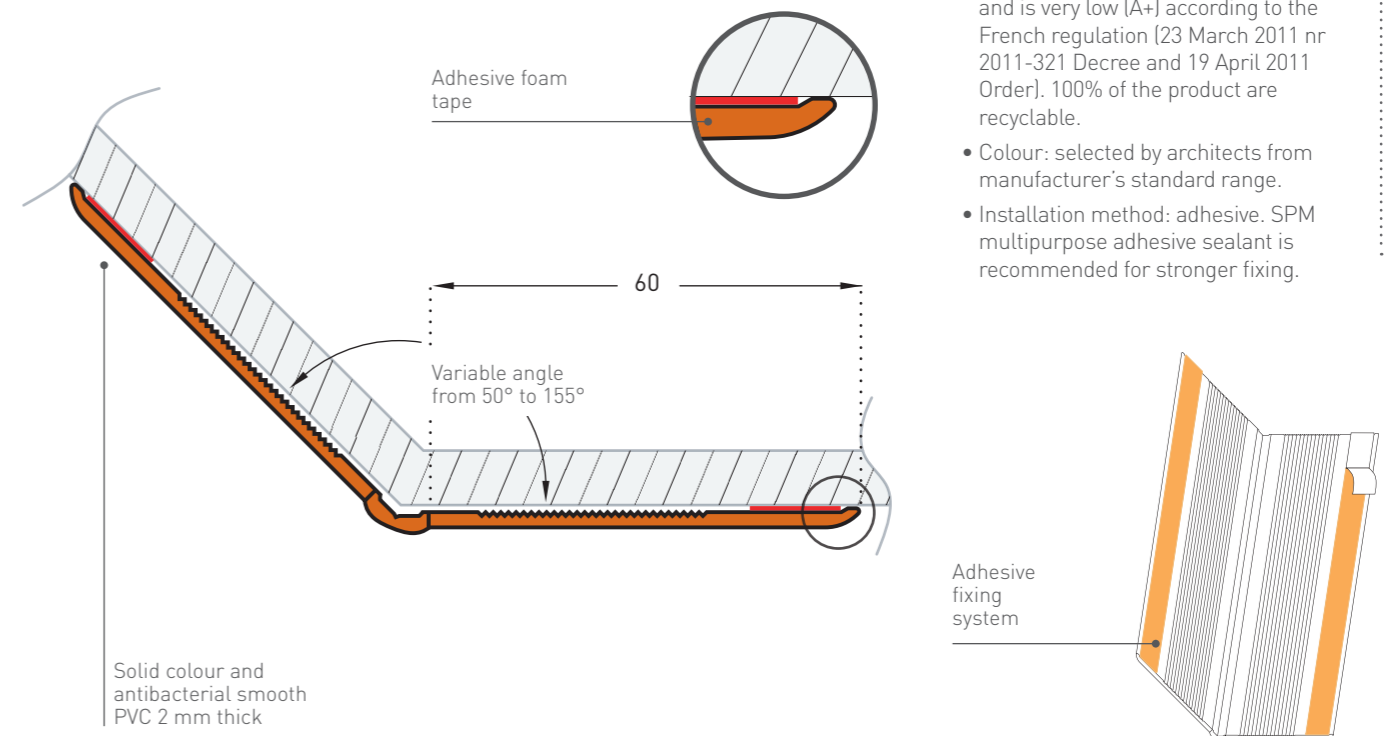
Available in 39 colours, this model blends in with all interior decoration styles in public buildings.

DESCRIPTION

- Model: Protecta 2 flexible adhesive corner protector
- Angle: from 50° to 155°
- Wing width: 60 mm (internal measurement)
- Thickness: 2 mm
- Length: 1.30 m, 2.00 m or 4.00 m
- Material: antibacterial and Bs2d0 fire-rated PVC, solid colour
- Surface finish: smooth
- Fixing: adhesive foam tapes to reinforce with SPM multipurpose adhesive sealant
- Colours: 39

SPECIFICATION

- Description: variable angle adhesive corner protector (from 50° to 155°) with flexible strip (Protecta 2 as manufactured by SPM) from smooth and antibacterial PVC, 2 mm thick, achieving Bs2d0 reaction to fire classification with solid colour. Wings are 60 mm wide (internal measurement) and the central rounded bead forms a decorative and harmless strip. A protective film is specified to minimise cleaning before acceptance. It is provided with 2 strips of double-sided adhesive foam tape for fixing.
- Environment: no heavy metals and no substance potentially subjected to any REACH restriction are used in its manufacture, nor PBT/BPA. The calcium-zinc thermal stabilisation process is used. The emission level of volatile substance in inside air has been tested according to ISO 16000-6 and is very low (A+) according to the French regulation (23 March 2011 nr 2011-321 Decree and 19 April 2011 Order). 100% of the product are recyclable.
- Colour: selected by architects from manufacturer's standard range.
- Installation method: adhesive. SPM multipurpose adhesive sealant is recommended for stronger fixing.





Profila 50 / 30 | 39 colours



Profil'Inox | Brushed finish

PROFILA 50 AND 30 90° ADHESIVE CORNER PROTECTORS

Colours available per product; please see the colour summary hinge



APPLICATIONS

These corners protectors blend in seamlessly with all interiors and protects corners from light impacts.

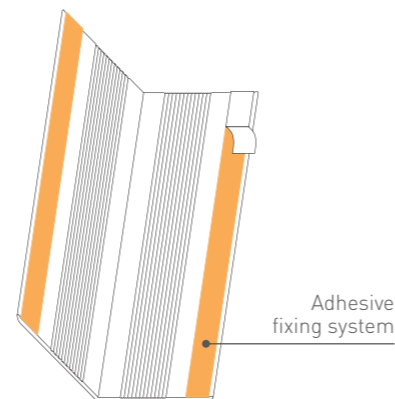
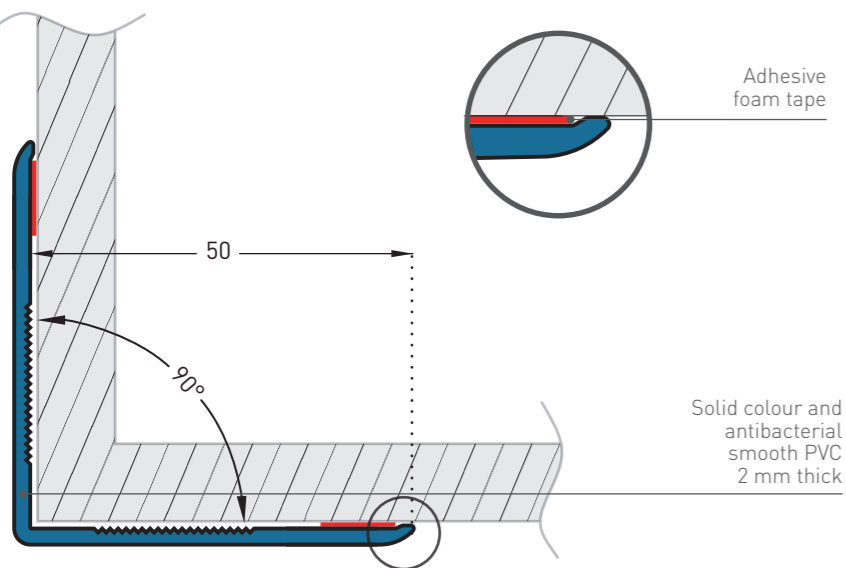
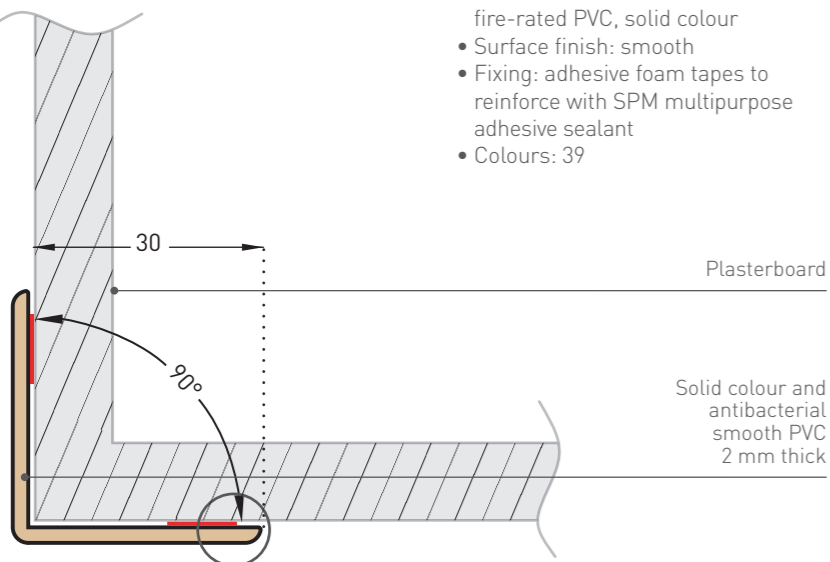
Profila 30 can also protect some door frames.

DESCRIPTION

- Model: Profila 50 or 30 adhesive corner protector
- Angle: 90°
- Wing width (internal measurement):
 - 50 mm Profila 50
 - 30 mm Profila 30
- Thickness: 2 mm
- Length: 1.30 m, 2.00 m or 4.00 m
- Material: antibacterial and Bs2d0 fire-rated PVC, solid colour
- Surface finish: smooth
- Fixing: adhesive foam tapes to reinforce with SPM multipurpose adhesive sealant
- Colours: 39

SPECIFICATION

- Description: 90° adhesive corner protector (Profila 50 or 30 as manufactured by SPM) from smooth and antibacterial PVC, 2 mm thick, achieving Bs2d0 reaction to fire classification with solid colour. Wings are 50 or 30 mm wide (internal measurement). A protective film is specified to minimise cleaning before acceptance. It is provided with 2 strips of double-sided adhesive foam tape for fixing.
- Environment: no heavy metals and no substance potentially subjected to any REACH restriction are used in its manufacture, nor PBT/BPA. The calcium-zinc thermal stabilisation process is used. The emission level of volatile substance in inside air has been tested according to ISO 16000-6 and is very low (A+) according to the French regulation (23 March 2011 nr 2011-321 Decree and 19 April 2011 Order). 100% of the product are recyclable.
- Colour: selected by architects from manufacturer's standard range.
- Installation method: adhesive. SPM multipurpose adhesive sealant is recommended for stronger fixing.



PROFIL'INOX 50 AND 30 90° ADHESIVE CORNER PROTECTORS IN BRUSHED STAINLESS STEEL



APPLICATIONS

Profil'Inox protect 90° corners exposed to impacts. They are instantly recognisable by their rounded edge and lightly beveled sides.

They are approved for use in food-handling areas.

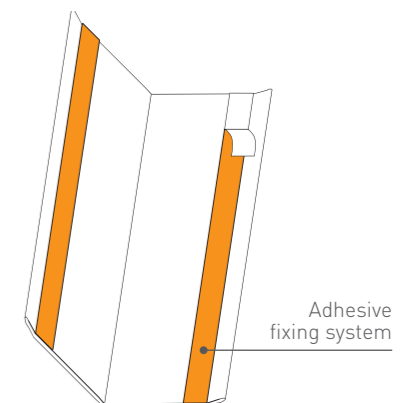
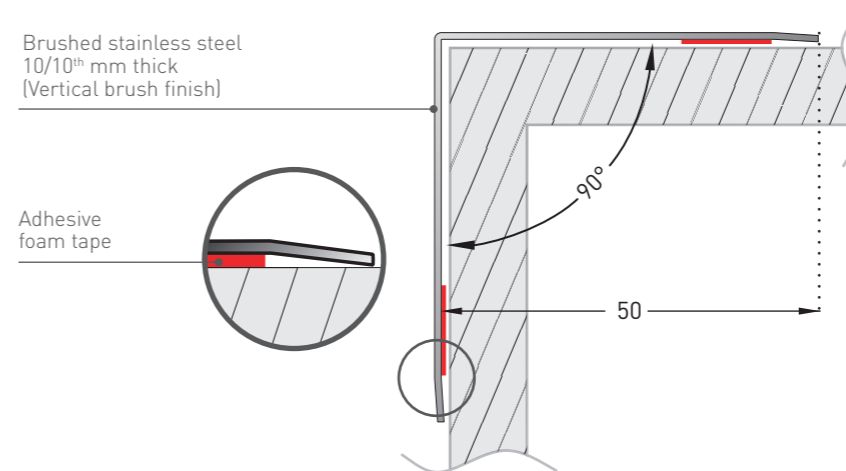
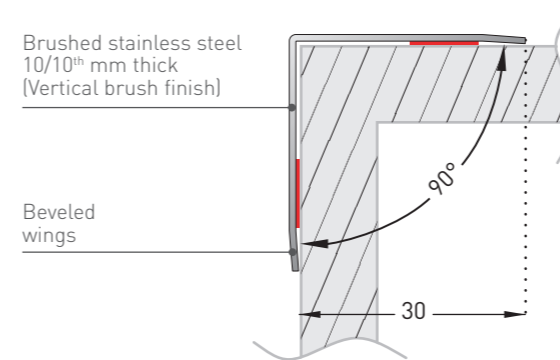
Ideally suited for heavily used or wet areas, they are particularly useful in the food and pharmaceutical industries as well as in healthcare establishments, central kitchens, etc.

DESCRIPTION

- Model: Profil'Inox 50 or 30 adhesive corner protector
- Angle: 90°
- Wing width: 50 or 30 mm (internal measurement)
- Thickness: 10/10th
- Length: 2.50 m
- Material: 304L stainless steel (approved for food-handling areas)
- Fixing: adhesive foam tapes to reinforce with SPM multipurpose adhesive sealant
- Finish: brushed metal

SPECIFICATION

- Description: 90° adhesive corner protector with 50 or 30 mm wings (internal measurement) (Profil'Inox 50 or 30 as manufactured by SPM), 10/10th thick in 304L brushed stainless steel approved for food handling areas and provided with two strips of double-sided adhesive foam tape. Wings are lightly beveled. A protective film is specified to minimise cleaning before acceptance.
- Finish: brushed metal.
- Installation method: adhesive. SPM multipurpose adhesive sealant is recommended for stronger fixing.



DOOR PROTECTION

In health and other public building establishments, doors are subjected to the harshest of tests: the faces and edges are particularly exposed and prone to damage, and are crashed by trolleys, stretchers and other mobile equipment.

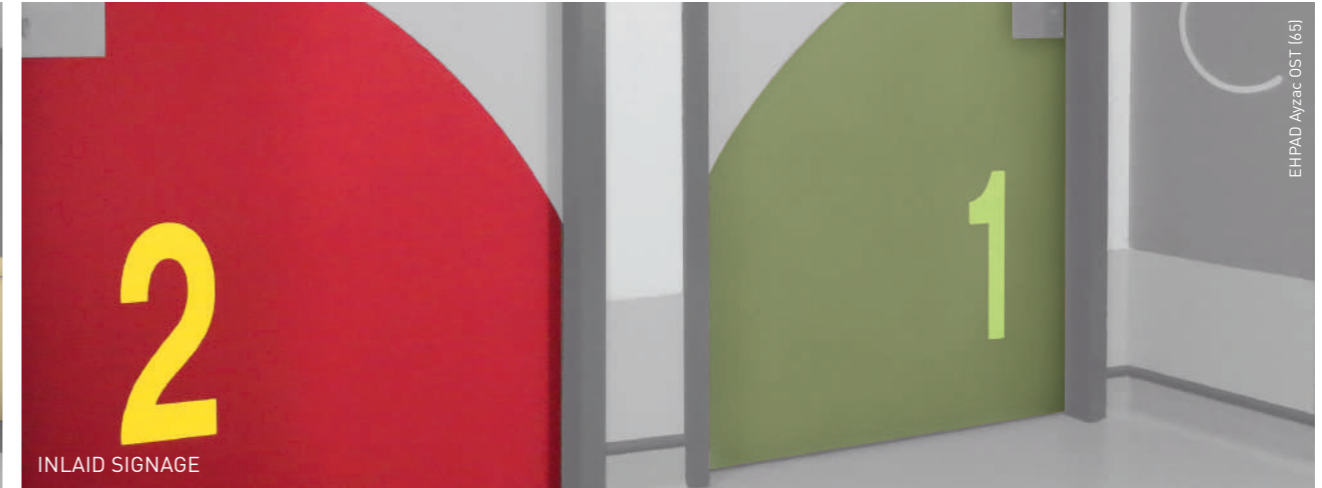
SPM has developed a range of protection panels and handplates.

Cut-to-size, bended into L or U bends, they fit all types of woodwork.

It is essential to protect and you can also add a decorative touch with some of SPM's original cutouts.



HALF-HEIGHT DOOR



INLAID SIGNAGE

EHPAD Ayrac OST (65)



FOOT-HEIGHT DOOR



BENDS INTO U AND L SHAPE



SOLUTIONS



HANDPLATES

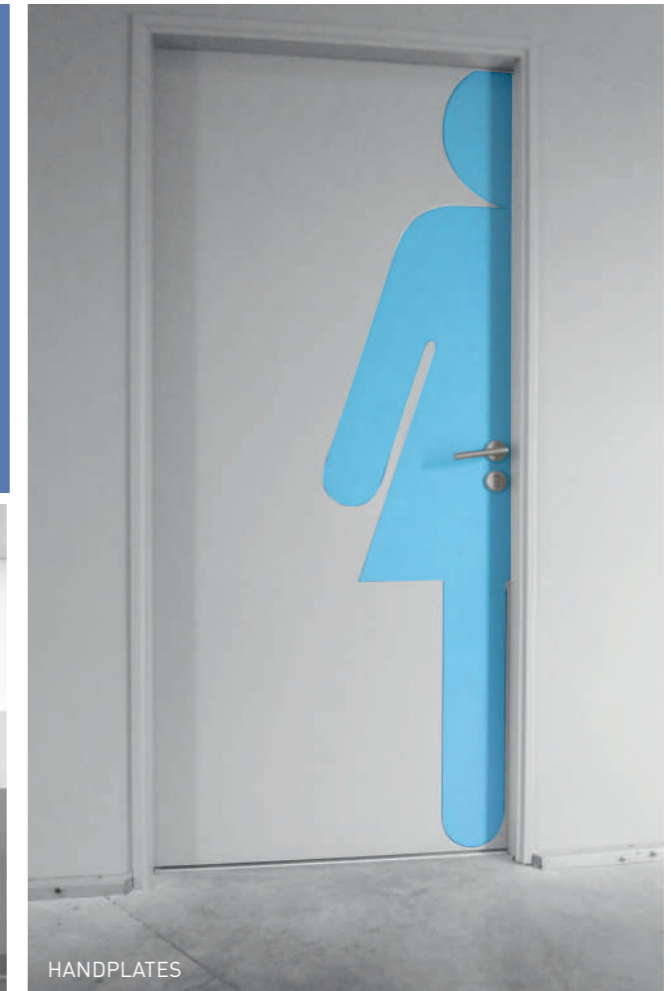


INLAID SIGNAGE



HALF-HEIGHT DECORATIVE DOOR - TWO-COLOUR

Colourist N. Bernat



HANDPLATES

DOOR PROTECTION

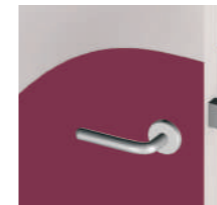
DOOR PROTECTION



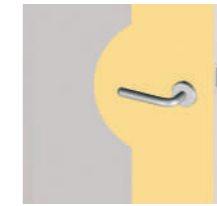
FOOT-HEIGHT DOOR p.94
Contact plates
Plac'Inox



HALF-HEIGHT STRAIGHT DOOR p.95
Decochoc panel
Plac'Inox
- straight cut -



HALF-HEIGHT DECORATIVE DOOR..... p.96-97
Decochoc panel
(one or two-colour)
- decorative cutouts -



HANDPLATES p.98
Decochoc panel
- decorative cutouts -



INLAID SIGNAGE p.99
Numerals, pictos
and early childhood



EDGES AND FRAMES p.100-101
Decochoc panel
- bends and thermoforming -

	CODE	DESCRIPTION	MATERIAL	COLOUR RANGE
FOOT-HEIGHT DOOR		Contact 350 & 200 plates	PVC	39 colours
HALF-HEIGHT STRAIGHT DOOR		Straight cut Decochoc panel	PVC	39 colours
		Plac'Inox protection plate	Stainless steel	Brushed finish
HALF-HEIGHT DECORATIVE DOOR		Decochoc panel with decorative cutouts	PVC	39 colours to combine
HANDPLATES		Decochoc panel with decorative cutouts	PVC	39 colours
INLAID SIGNAGE		Decochoc panel 1/2 height door	PVC	39 colours for numerals and pictos 11 drawings Early Childhood
EDGES AND FRAMES		Decochoc panel bends and thermoforming	PVC	39 colours

Colours available per product: please see the colour summary hinge



Contact 200 | 39 colours
Contact 350 | 39 colours



Decochoc | 39 colours

FOOT-HEIGHT DOOR ADHESIVE PROTECTION PLATES CONTACT

Colours available per product: please see the colour summary hinge



DESCRIPTION

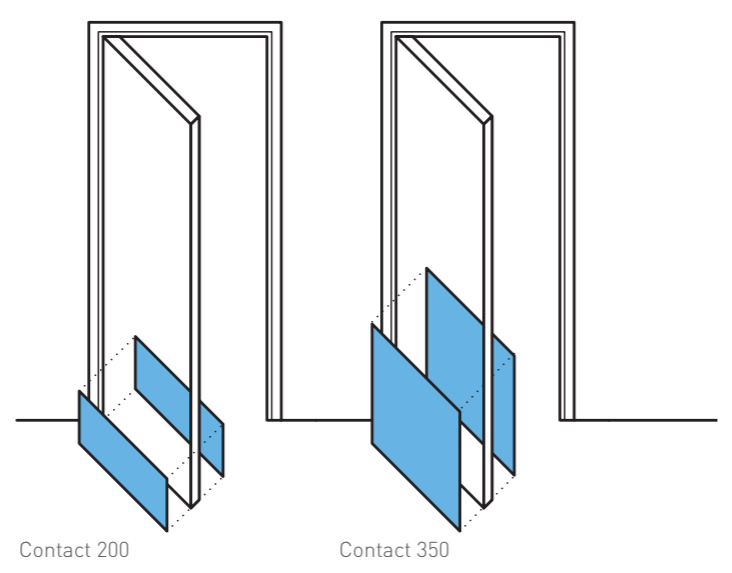
- Model: Contact 350 or 200 adhesive protection plate
- Height: 350 or 200 mm
- Thickness: 2.5 mm
- Length: 4 m
- Material: antibacterial and Bs2d0 fire-rated PVC, solid colour
- Surface finish: smooth with decorative grooves
- Fixing: adhesive foam tapes to reinforce with SPM multipurpose adhesive sealant
- Colours: 39
 - 28 in stock and 11 on order for Contact 200
 - 12 in stock and 27 on order for Contact 350

SPECIFICATION

- Description: adhesive protection plate (Contact 350 or 200 as manufactured by SPM) from smooth and antibacterial PVC achieving Bs2d0 reaction to fire classification with solid colour. PVC profile is 350 or 200 mm high and 2.5 mm thick. It provides a smooth surface finish with decorative grooves. A protective film is specified to minimise cleaning before acceptance. It is provided with 2 or 3 strips of double-sided adhesive foam tape for fixing.
- Environment: no heavy metals and no substance potentially subjected to any REACH restriction are used in its manufacture, nor PBT/BPA. The calcium-zinc thermal stabilisation process is used. The emission level of volatile substance in inside air has been tested according to ISO 16000-6 and is very low (A+) according to the French regulation (23 March 2011 nr 2011-321 Decree and 19 April 2011 Order). 100% of the product are recyclable.
- Colour: selected by architects from manufacturer's standard range.
- Installation method: adhesive. SPM multipurpose adhesive sealant is recommended for stronger fixing.



Recommended protection height: 200 mm or 350 mm



PLAC'INOX STAINLESS STEEL PROTECTION PLATE
Please refer to page 76

HALF-HEIGHT STRAIGHT DOOR PROTECTION AND COVERING PANEL - 2 MM DECOCHOC - STRAIGHT CUT -

Colours available per product: please see the colour summary hinge



APPLICATIONS

Protects and decorates doors in corridors and entrances to hospitals, clinics, retirement homes, schools, kitchens, restaurants, collective housing...

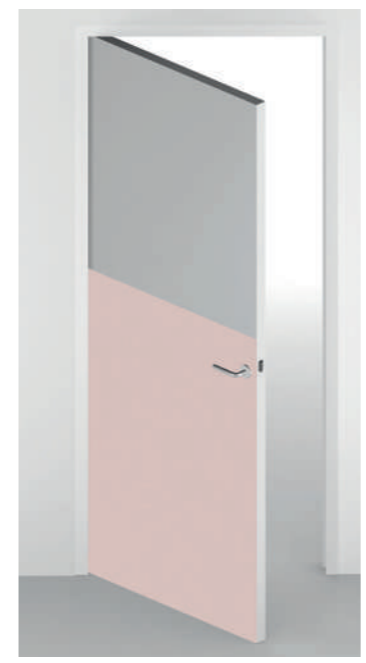
To avoid the handle and lock and facilitate installation, we recommend a protection height below either 900 mm or 1100 mm.

DESCRIPTION

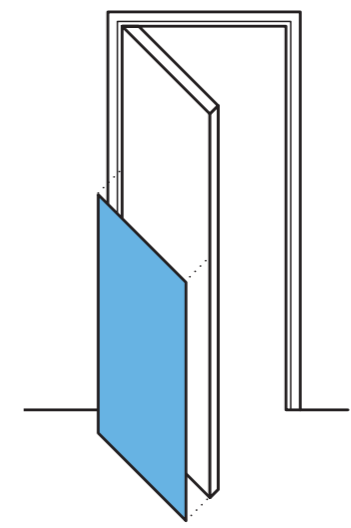
- Model: cut-to-size Decochoc protection and covering panel
- Standard dimensions: 3 m x 1.30 m
- Custom options: cutting-to-size, chamfer
- Thickness: 2 mm
- Material: antibacterial and Bs2d0 fire-rated PVC, solid colour
- Surface finish: slightly textured and matte («Hydr'x» finish)
- Fixing: adhesive bonding with SPM acrylic glue or SPM multipurpose adhesive sealant
- Colours: 39

SPECIFICATION

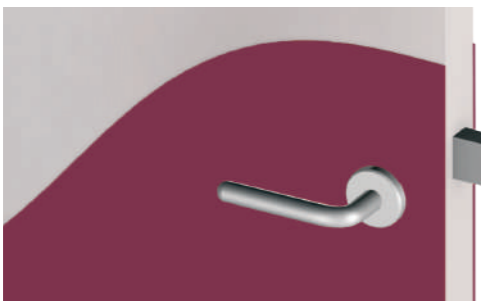
- Description: protection and covering panel (Decochoc as manufactured by SPM) from rigid and antibacterial PVC achieving Bs2d0 reaction to fire classification with solid colour and slightly textured and matte surface («Hydr'x» as manufactured by SPM), 2 mm thick.
- Environment: no heavy metals and no substance potentially subjected to any REACH restriction are used in its manufacture, nor PBT/BPA. The calcium-zinc thermal stabilisation process is used. The emission level of volatile substance in inside air has been tested according to ISO 16000-6 and is very low (A+) according to the French regulation (23 March 2011 nr 2011-321 Decree and 19 April 2011 Order). 100% of the product are recyclable. Over 20% of the product comes from recycled material.
- Colour: selected by architects from manufacturer's standard range.
- Installation method: glue as per manufacturer's instructions.



Recommended protection height: from 800 mm to 1300 mm



PLAC'INOX STAINLESS STEEL PROTECTION PLATE
Please refer to page 76



Decochoc | 39 colours

HALF-HEIGHT DECORATIVE DOOR

PROTECTION AND COVERING PANEL - 2 MM
DECOCHOC - DECORATIVE CUTOUTS -

ONE COLOUR

APPLICATIONS

These cutouts provide half-height protection and decoration for doors.

Ideal for use in corridors in public buildings: hospitals, schools, restaurants, hotels...

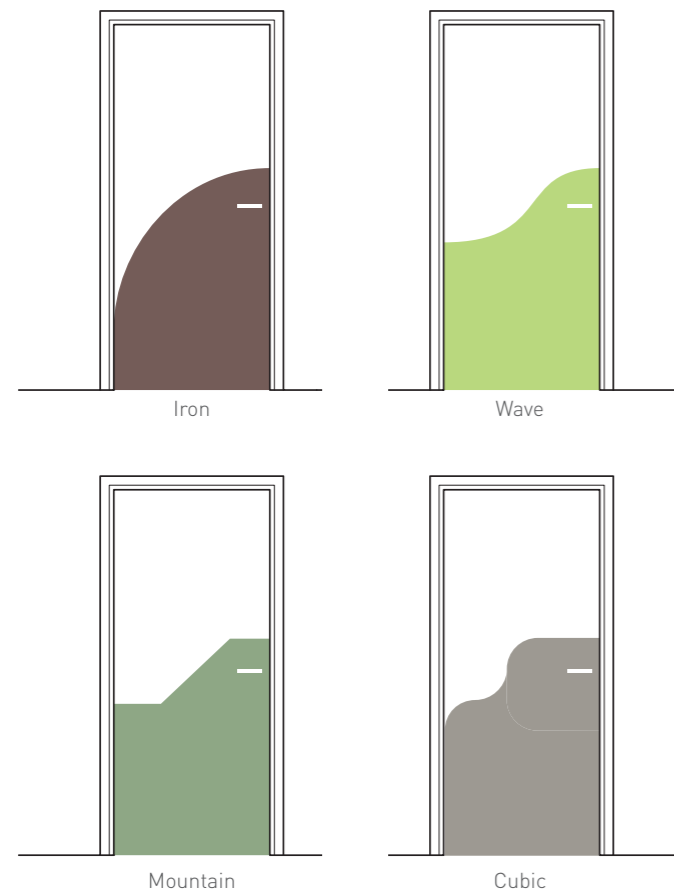
Shapes and colours make easier the location of different doors: rooms, staff rooms, technical premises, etc.

DESCRIPTION

- Description: one colour protection and covering masks with cut-to-size Decochoc panel
- Thickness: 2 mm
- Material: antibacterial and Bs2d0 fire-rated PVC, solid colour
- Surface finish: slightly textured and matte («Hydr'X» finish)
- Fixing: adhesive bonding with SPM acrylic glue or SPM multipurpose adhesive sealant
- Colours: 39

SPECIFICATION

- Description: half-height decorative one colour door protection (Iron, Wave, Mountain or Cubic masks as manufactured by SPM) from rigid and antibacterial PVC achieving Bs2d0 reaction to fire classification with solid colour and slightly textured and matte surface («Hydr'X» as manufactured by SPM), 2 mm thick.
- Environment: no heavy metals and no substance potentially subjected to any REACH restriction are used in its manufacture, nor PBT/BPA. The calcium-zinc thermal stabilisation process is used. The emission level of volatile substance in inside air has been tested according to ISO 16000-6 and is very low (A+) according to the French regulation (23 March 2011 nr 2011-321 Decree and 19 April 2011 Order). 100% of the product are recyclable. Over 20% of the product comes from recycled material.
- Colour: selected by architects from manufacturer's standard range.
- Installation method: glue as per manufacturer's instructions.



TWO-COLOUR

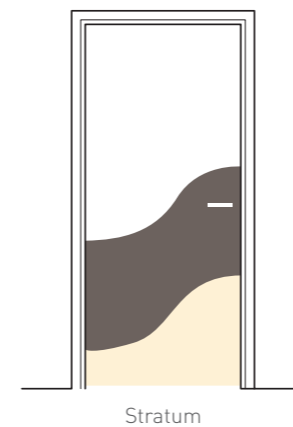
APPLICATIONS

These half-door claddings protect and bring a touch of originality. This two-colour range provides visual help by using floor, department, service or section colour schemes, very useful in accessibility process.

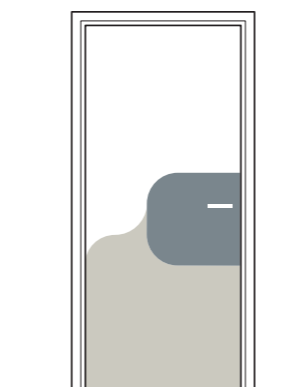
DESCRIPTION

- Model: two-colour protection and covering masks with cut-to-size Decochoc panel
- Height: 1200 mm
- Width: 930 or 1230 mm
- Thickness: 2 mm
- Material: antibacterial and Bs2d0 fire-rated PVC, solid colour
- Surface finish: slightly textured and matte («Hydr'X» finish)
- Fixing: adhesive bonding with SPM acrylic glue or SPM multipurpose adhesive sealant
- Colours: 39

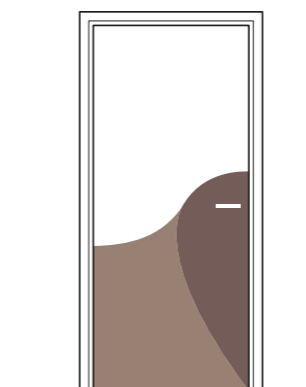
Colours available per product: please see the colour summary hinge



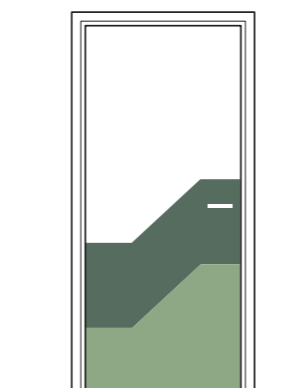
Stratum



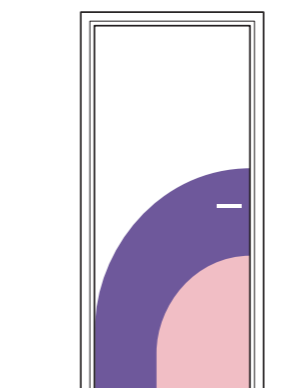
Cubic



Comma



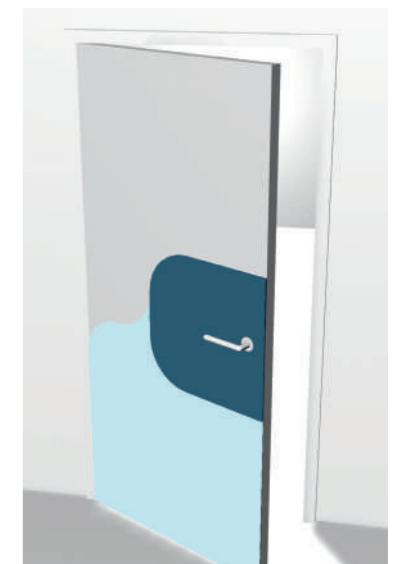
Stairs



Rainbow

SPECIFICATION

- Description: half-height decorative two-colour door protection (Stratum, Cubic, Comma, Stairs, Rainbow masks as manufactured by SPM) from rigid and antibacterial PVC achieving Bs2d0 reaction to fire classification with solid colour and slightly textured and matte surface («Hydr'X» as manufactured by SPM). Width 930 or 1230 mm, height 1200 mm, 2 mm thick.
- Environment: no heavy metals and no substance potentially subjected to any REACH restriction are used in its manufacture, nor PBT/BPA. The calcium-zinc thermal stabilisation process is used. The emission level of volatile substance in inside air has been tested according to ISO 16000-6 and is very low (A+) according to the French regulation (23 March 2011 nr 2011-321 Decree and 19 April 2011 Order). 100% of the product are recyclable. Over 20% of the product comes from recycled material.
- Colour: selected by architect from manufacturer's standard range.
- Installation method: glue as per manufacturer's instructions.



DOOR PROTECTION





HANDPLATES

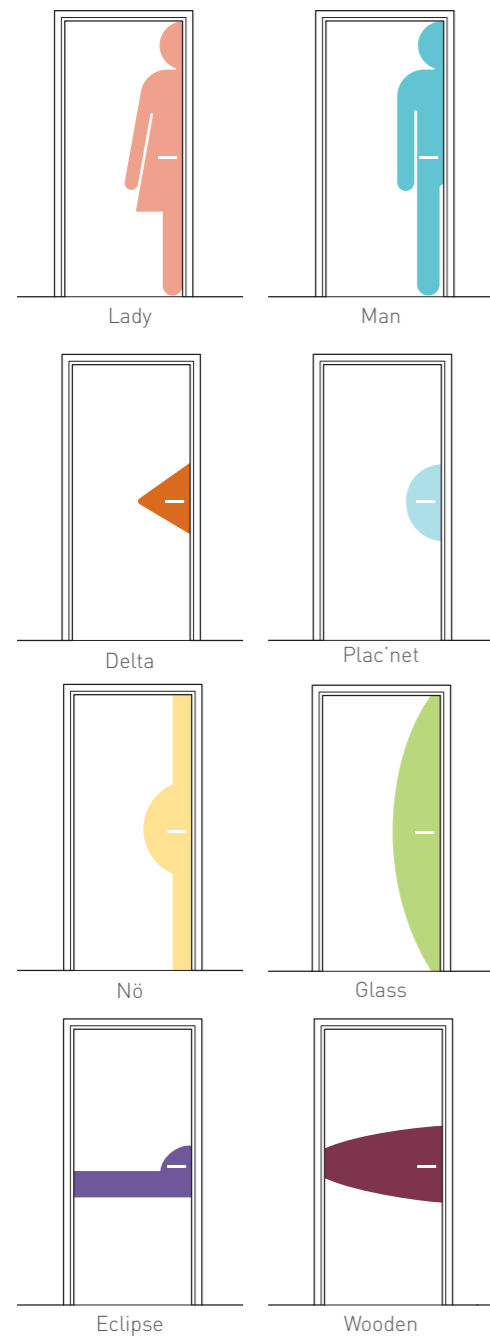
PROTECTION AND COVERING PANEL - 2 MM
DECOCHOC - DECORATIVE CUTOUTS -

Colours available per product: please see the colour summary hinge



APPLICATIONS

These original shapes are used to decorate and protect doors from wear and dirt around handles.
Perfect for all collective institutions: schools, hotels, offices, restaurants, hospitals, retirement homes...



DESCRIPTION

- Model: mask of handplate with cut-to-size Decochoc panel
- Thickness: 2 mm
- Material: antibacterial and Bs2d0 fire-rated PVC, solid colour
- Surface finish: slightly textured and matte («Hydr'X» finish)
- Fixing: adhesive or SPM acrylic glue or SPM multipurpose adhesive sealant
- Colours: 39

SPECIFICATION

- Description: handplates (Nö, Glass, Lady, Man, Wooden, Dan, Eclipse, Plac'net or Delta masks as manufactured by SPM) from rigid and antibacterial PVC achieving Bs2d0 reaction to fire classification with solid colour and slightly textured and matte surface («Hydr'X» as manufactured by SPM), 2 mm thick.
- Environment: no heavy metals and no substance potentially subjected to any REACH restriction are used in its manufacture, nor PBT/BPA. The calcium-zinc thermal stabilisation process is used. The emission level of volatile substance in inside air has been tested according to ISO 16000-6 and is very low (A+) according to the French regulation (23 March 2011 nr 2011-321 Decree and 19 April 2011 Order). 100% of the product are recyclable. Over 20% of the product comes from recycled material.
- Colour: selected by architects from manufacturer's standard range.
- Installation method: adhesive or glue as per manufacturer's instructions.

INLAID SIGNAGE

FOR HALF-HEIGHT DOOR PROTECTION - 2 MM
IN DECOCHOC

Colours available per product: please see the colour summary hinge



APPLICATIONS

The inlaid signage with numerals, pictos or Early Childhood drawings individually identify your half-door protections in Decochoc by forming an effective and robust marking that is visible from a distance and easy to clean.

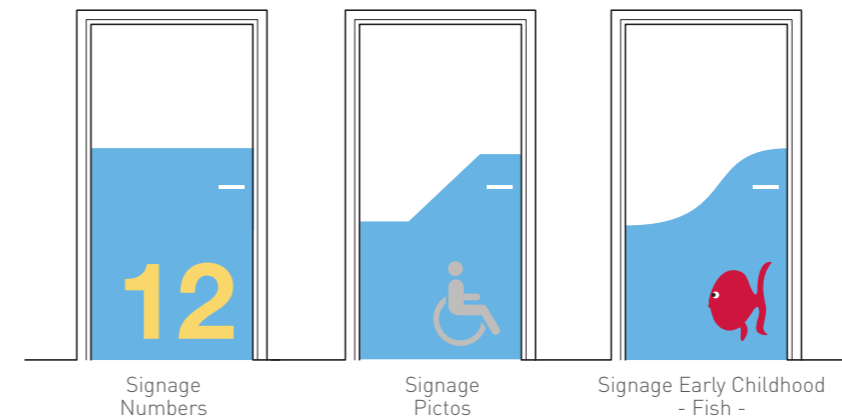
The drawings will be highly appreciated by the young public in particular, who will easily be able to find directions.

DESCRIPTION

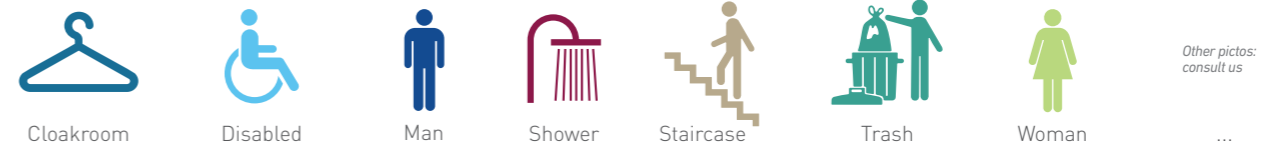
- Model: Decochoc inlaid signage with Numerals, Pictos or Early Childhood drawings
- Height: 400 mm
- Thickness: 2 mm
- Material: antibacterial and Bs2d0 fire-rated PVC, solid colour
- Surface finish: slightly textured and matte («Hydr'X» finish)
- Fixing: adhesive bonding with SPM acrylic glue or SPM multipurpose adhesive sealant
- Colours:
 - for the numerals and pictos: 39
 - for the Early Childhood drawings: 11 standard drawings (defined colours)

SPECIFICATION

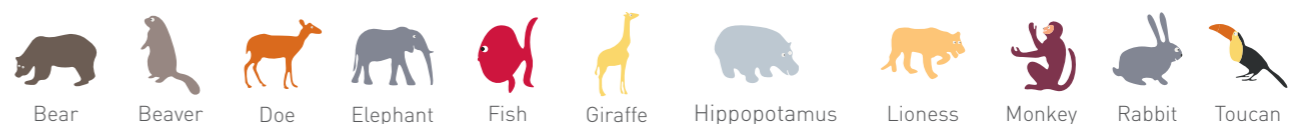
- Description: inlaid signage in half-door protection (Numerals, Pictos or Early Childhood drawings as manufactured by SPM) from rigid and antibacterial PVC achieving Bs2d0 reaction to fire classification with solid colour and slightly textured and matte surface («Hydr'X» as manufactured by SPM). 400 mm high, 2 mm thick.
- Environment: no heavy metals and no substance potentially subjected to any REACH restriction are used in its manufacture, nor PBT/BPA. The calcium-zinc thermal stabilisation process is used. The emission level of volatile substance in inside air has been tested according to ISO 16000-6 and is very low (A+) according to the French regulation (23 March 2011 nr 2011-321 Decree and 19 April 2011 Order). 100% of the product are recyclable. Over 20% of the product comes from recycled material.
- Colour: selected by architects from manufacturer's standard range.
- Installation method: glue as per manufacturer's instructions.

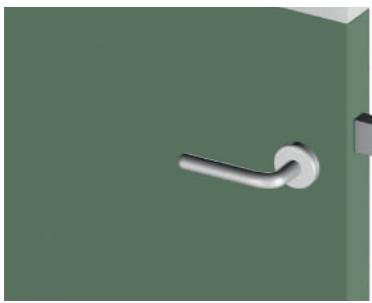


Signage Pictos



Signage Early Childhood drawings





Colours available per product: please see the colour summary hinge



EDGES AND FRAMES

BENDS INTO L AND U SHAPES OF PROTECTION AND COVERING PANEL - 2 MM DECOCHOC*

APPLICATIONS

Provides protection for door edges and simple frames edges against frequent impact from trolleys (corridors and entrances to healthcare facilities, laboratories...).

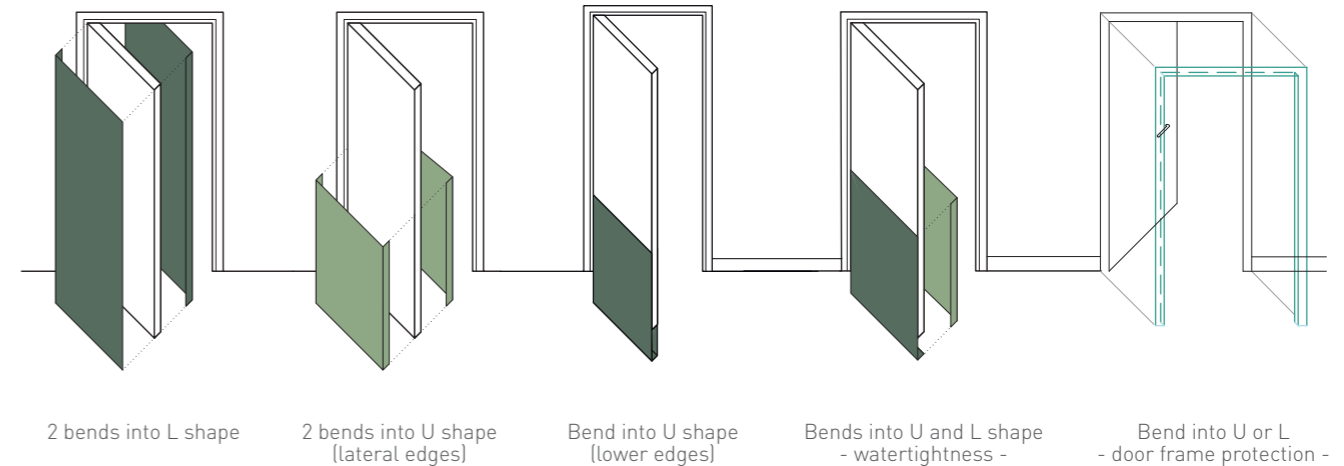
Lateral edges are exposed to impacts from trolleys, beds... and below edges to water leaks in the door. U-bend is perfect for wet rooms such as bathrooms, sanitary arrangements, central kitchens...

DESCRIPTION

- Model: cut-to-size Decochoc* protection and covering panel with bends into L and U shapes
- Thickness: 2 mm
- Material: antibacterial and Bs2d0 fire-rated PVC, solid colour
- Surface finish: slightly textured and matte («Hydr'X» finish)
- Fixing: adhesive bonding with SPM acrylic glue or SPM multipurpose adhesive sealant
- Colours: 39

SPECIFICATION

- Description: door protection and covering panel with bends into L or U for edge or frame protection [Decochoc* as manufactured by SPM] from rigid and antibacterial PVC achieving Bs2d0 reaction to fire classification with solid colour and slightly textured and matte surface («Hydr'X» as manufactured by SPM), 2 mm thick.
- Environment: no heavy metals and no substance potentially subjected to any REACH restriction are used in its manufacture, nor PBT/ BPA. The calcium-zinc thermal stabilisation process is used. The emission level of volatile substance in inside air has been tested according to ISO 16000-6 and is very low (A+) according to the French regulation (23 March 2011 nr 2011-321 Decree and 19 April 2011 Order). 100% of the product are recyclable. Over 20% of the product comes from recycled material.
- Colour: selected by architects from manufacturer's standard range.
- Installation method: glue as per manufacturer's instructions.



* For bend of other panels: consult us

THERMOFORMING OF PROTECTION AND COVERING PANEL - 2 MM DECOCHOC*

APPLICATIONS

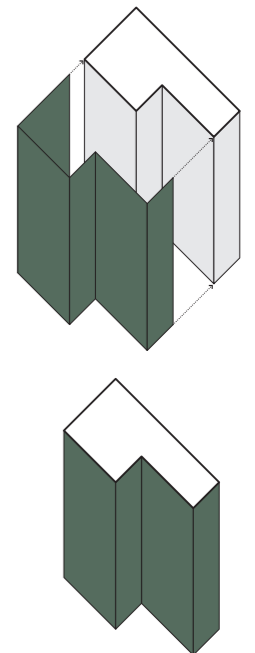
For complex door frames which cannot be protected by L or U bends (corridors in hospitals, clinics, nursing homes...).

DESCRIPTION

- Model: cut-to-size Decochoc* protection and covering panel with thermoforming according to template provided
- Thickness: 2 mm
- Material: antibacterial and Bs2d0 fire-rated PVC, solid colour
- Surface finish: slightly textured and matte («Hydr'X» finish)
- Fixing: adhesive bonding with SPM acrylic glue or SPM multipurpose adhesive sealant
- Colours: 39

SPECIFICATION

- Description: cut-to-size and thermoformed protection and covering panel (Decochoc* as manufactured by SPM) from rigid and antibacterial PVC achieving Bs2d0 reaction to fire classification with solid colour and slightly textured and matte surface («Hydr'X» as manufactured by SPM), 2 mm thick.
- The level required for biocleaning should be validated for very high infectious risk areas such as operating theatres (*sector 4 according to the Pasteur Institute of Lille France*). The chemical and mark resistance should have been proved on the usual cleaning products according to NF EN ISO 26987. The ease of nuclear decontamination according to DIN 25415 / ISO 8690 should be excellent.
- Environment: no heavy metals and no substance potentially subjected to any REACH restriction are used in its manufacture, nor PBT/ BPA. The calcium-zinc thermal stabilisation process is used. The emission level of volatile substance in inside air has been tested according to ISO 16000-6 and is very low (A+) according to the French regulation (23 March 2011 nr 2011-321 Decree and 19 April 2011 Order). 100% of the product are recyclable. Over 20% of the product comes from recycled material.
- Colour: selected by architects from manufacturer's standard range.
- Installation sequence: glue as per manufacturer's instructions.



Thermoforming Complex frame protection

* For thermoforming of other panels: consult us



HANDRAILS

Providing a good grip is a priority. SPM handrails have been designed with the greatest of care to aid mobility. Essentially, they are ergonomic, and provide both visual guidance (use of contrast provided by colours) and wall protection. Our systems are available in antibacterial PVC or aluminium and fit any configuration: walls where there are service ducts, curved walls, corners which are not 90°, staircases, while respecting the original decor.



ESCORT DUAL-HEIGHT



ESCORT DUO

SPM handrails protect against hand-borne infections and provide effective help in the fight against the growth of microorganisms and the spread of infection.

Inside establishments open to the public, and especially in health-care institutions, hygiene and the prevention of microbial contamination are permanent concerns. In particular, the hands form a significant vector for the carriage and transmission of contamination, which may be deposited on handrails. According to research, 75 to 90% of in-hospital infection in healthcare establishments may be due to hand-borne transmission.

Laboratory tests carried out by skilled virologists have shown **that SPM's PVC handrails offer 99.96% intrinsic virucidal activity against human coronavirus HCoV-229E** after a contact time of two hours! By way of comparison, the virus is still active on a 304L stainless steel surface after five hours.

The roughness of the handrail, at the junction between profile sections and finishing accessories, collect the majority of contamination and are the most difficult points to clean.

For this reason, all SPM handrails are fitted with bactericidal joints, treated integrally and undamaged by cleaning. Their bactericidal action, proved by an independent laboratory, complements the bacteriostatic and antibacterial properties of our handrails in a smooth finish.



ESCORT-DECOWOOD



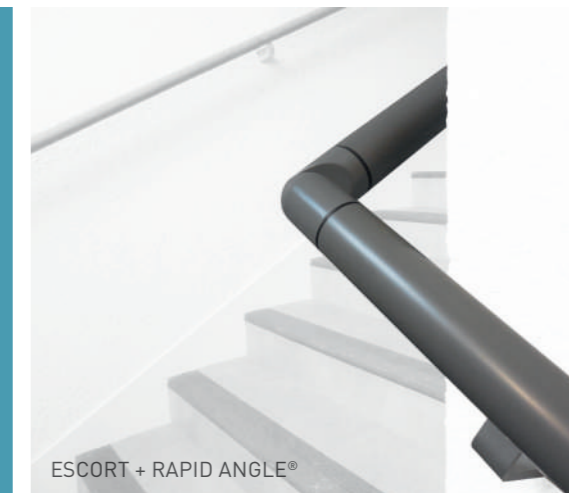
ESCORT-PVC SHEATHED



PERFORMER 2



SOLUTIONS



ESCORT + RAPID ANGLE®



ESCORT + RAPID ACCESS®



STARLINE-PVC SHEATHED





LINEA TOUCH-PVC SHEATHED


HANDRAILS


PROTECTION HANDRAILS





- 
ESCORT'DUO p.106-107
 Protection handrail
 Height 150 mm


- 
LINEA'DUO p.106-107
 Protection handrail
 Height 150 mm

- 
PERFORMER 2 p.108-109
 Protection handrail
 Height 140 mm

- 
STARLINE - PVC SHEATHED p.110-111
 Protection handrail with Decochoc PVC band
 Height 90 mm

- 
STARLINE - ANODISED .. p.112-113
 Aluminium handrail with Decowood band
 Height 90 mm

- 
 with Decotrend band
 Height 90 mm

- 
 with Decochoc band
 Height 90 mm



TUBULAR HANDRAILS

- 
LINEA'TOUCH - PVC SHEATHED p.114-115
 Trilobed handrail
 Width 40 mm
LED option p.116-117

- 
LINEA'TOUCH - DECOWOOD p.118-119
 Wood effect trilobed handrail
 Width 40 mm
LED option p.120-121








- 
LINEA'TOUCH - ANODISED p.118-119
 Trilobed aluminium handrail
 Width 40 mm
LED option p.120-121

- 
ESCORT - PVC SHEATHED p.122-123
 Round handrail
 Diameter 40 mm







- 
ESCORT - DECOWOOD p.124-125
 Wood effect round handrail
 Diameter 40 mm

- 
ESCORT - ANODISED p.124-125
 Aluminium round handrail
 Diameter 40 mm

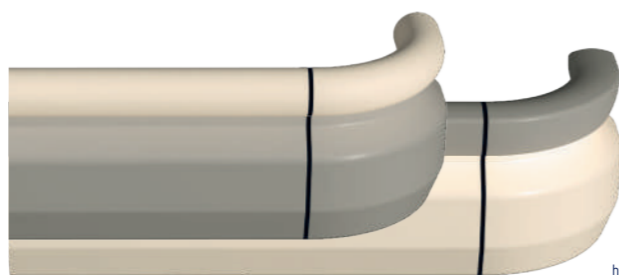
HANDRAILS

	CODE	DESCRIPTION	MATERIAL	COLOUR RANGE
ESCORT'DUO		Protection handrail	PVC + aluminium	39 colours to combine
LINEA'DUO		Protection handrail	PVC + aluminium	39 colours to combine
PERFORMER 2		Protection handrail	PVC + aluminium	5 colours
STARLINE - PVC SHEATHED		Protection handrail with Decochoc band	PVC-sheathed aluminium + PVC band	39 colours for the band 2 colours for the sheath
		Aluminium handrail with Decowood band	Aluminium + wood effect band	7 wood decors for the band
		Aluminium handrail with Decotrend band	Aluminium + trend effect band	4 trend decors for the band
STARLINE - ANODISED		Aluminium handrail with Decochoc band	Aluminium + PVC band	39 colours for the band

Colours available per product: please see the colour summary hinge

	CODE	DESCRIPTION	MATERIAL	COLOUR RANGE
LINEA'TOUCH - PVC SHEATHED		Trilobed handrail width 40 mm	PVC + aluminium	39 colours
LINEA'TOUCH - DECOWOOD		Wood effect trilobed handrail width 40 mm	PVC + aluminium	6 wood decors
LINEA'TOUCH - ANODISED		Trilobed aluminium handrail width 40 mm	Aluminium	Satin silver anodised
ESCORT - PVC SHEATHED		Round handrail diameter 40 mm	PVC + aluminium	39 colours
ESCORT - DECOWOOD		Wood effect round handrail diameter 40 mm	PVC + aluminium	6 wood decors
ESCORT - ANODISED		Aluminium round handrail diameter 40 mm	Aluminium	Satin silver anodised (or coated on request)

Colours available per product: please see the colour summary hinge



VIRUCIDAL*
99.96%

*virucidal activity against human coronavirus HCoV-229E according to ISO 21702. On our PVC handrails, 99.96% of the virus eliminated after two hours



Escort'Duo & Linea'Duo
Protection rail (lower part) 3 colours*



* and 36 colours on order

Escort'Duo & Linea'Duo
Handrail (upper part) 39 colours

Colours on order

ESCORT'DUO & LINEA'DUO

PROTECTION HANDRAILS - 150 MM HIGH

BACTERICIDAL JOINT



APPLICATIONS

Escort'Duo and Linea'Duo protection handrails are designed to ensure the double purpose of wall protection and handrail, in corridors with high impacts of wheeled equipments.

Ideal for all public buildings (hospitals, clinics, reeducation centres, homes for the elderly), they provide different choices:

- Select the shape of the upper part of the handrail: round with Escort'Duo or trilobed with Linea'Duo.
- Select the one-colour or the two-colour option to differentiate the handrail from the protection rail.

They are fitted with bactericidal joints (refer to page 102).

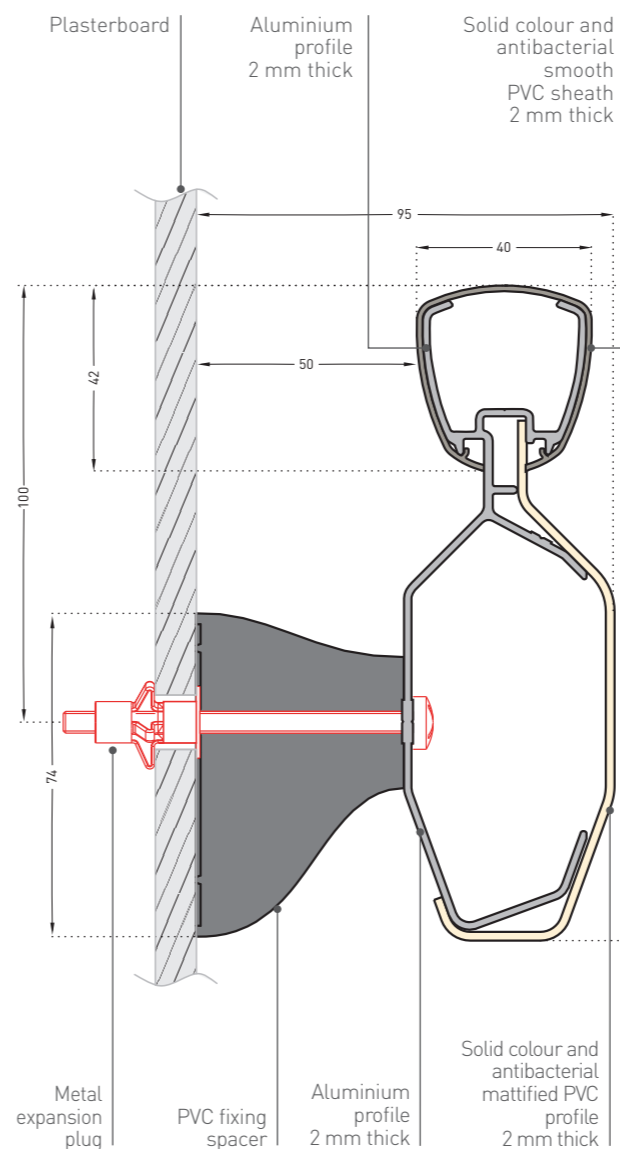
SPECIFICATION

- Description: protection handrail (Escort'Duo or Linea'Duo as manufactured by SPM) from 2 mm thick and antibacterial PVC achieving Bs2d0 reaction to fire classification with solid colour. The height of the handrail is 150 mm, it has an overall protection of 95 mm and a depth of 50 mm. It consists of a tubular and smooth upper part: 40 mm round handrail (Escort'Duo) or 40 mm width trilobed handrail (Linea'Duo) and a lower matte wall protection rail. The PVC profiles snap-fixe onto continuous aluminium profiles, 2 mm thick, and finish is provided by antibacterial PVC accessories, smooth for the handrail and matified for the protection rail (wall returns, 90° internal/external angles). The unit is fitted into a PVC fixing spacer. They are fitted with bactericidal joints.
- Environment: no heavy metals and no substance potentially subjected to any REACH restriction are used in its manufacture, nor PBT/BPA. The calcium-zinc thermal stabilisation process is used. The emission level of volatile substance in inside air has been tested according to ISO 16000-6 and is very low (A+) according to the French regulation (23 March 2011 nr 2011-321 Decree and 19 April 2011 Order). 100% of the product are recyclable.
- Colour: selected by architects from manufacturer's standard range.
- Installation method: upper edge of section 0.90 m max. above floor level. Fixing on PVC spacers to be fitted at 0.80 m centres (0.60 m centres in heavy traffic corridors and on light partitions like plasterboard). Wall returns and angles fixing with self-drilling screws.

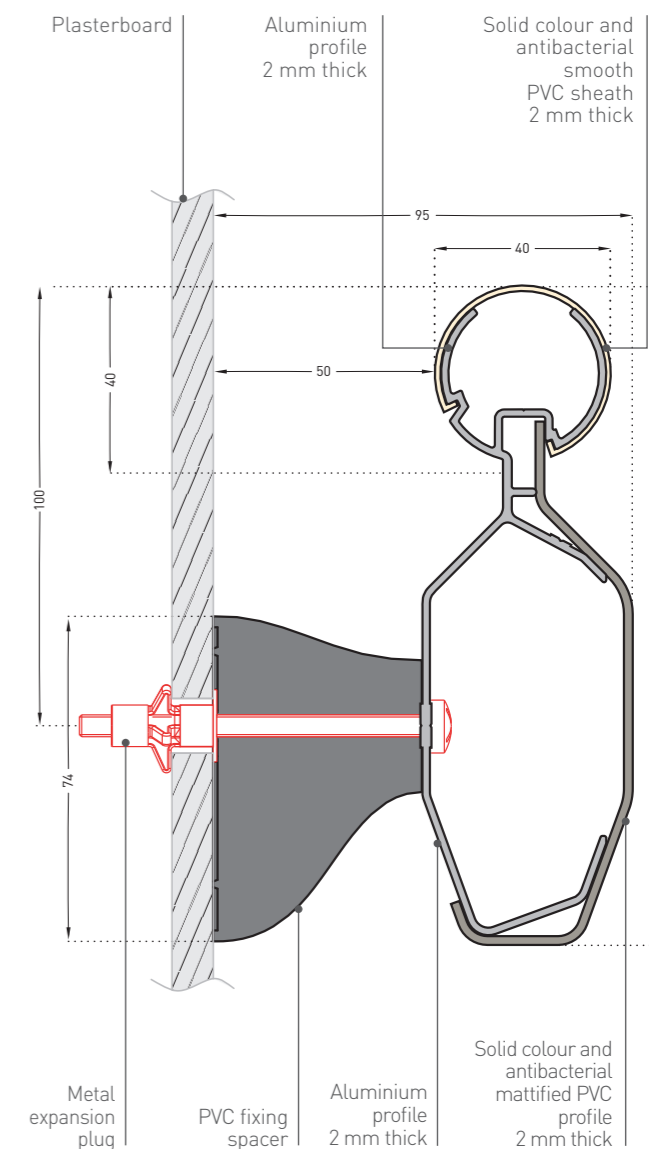
DESCRIPTION

- Model: Escort'Duo or Linea'Duo protection handrail
- Height: 150 mm
- Length: 4 m
- Tubular upper part:
 - 40 mm diameter (Escort'Duo)
 - 40 mm width (Linea'Duo)
- Depth: 50 mm
- Overall projection: 95 mm
- Stand-off from the wall: 50 mm
- Material: 2 mm thick antibacterial and Bs2d0 fire-rated PVC, solid colour, bactericidal joint
- Surface finish:
 - upper handrail: smooth
 - protection rail: matte
- Fixing: on PVC spacers to be fitted at 0.80 m centres (0.60 m centres in heavy traffic corridors and on light partitions like plasterboard)
- Colours to combine:
 - 28 in stock and 11 on order for the handrail (upper part)
 - 3 in stock and 36 on order for the protection rail (lower part)

LINEA'DUO

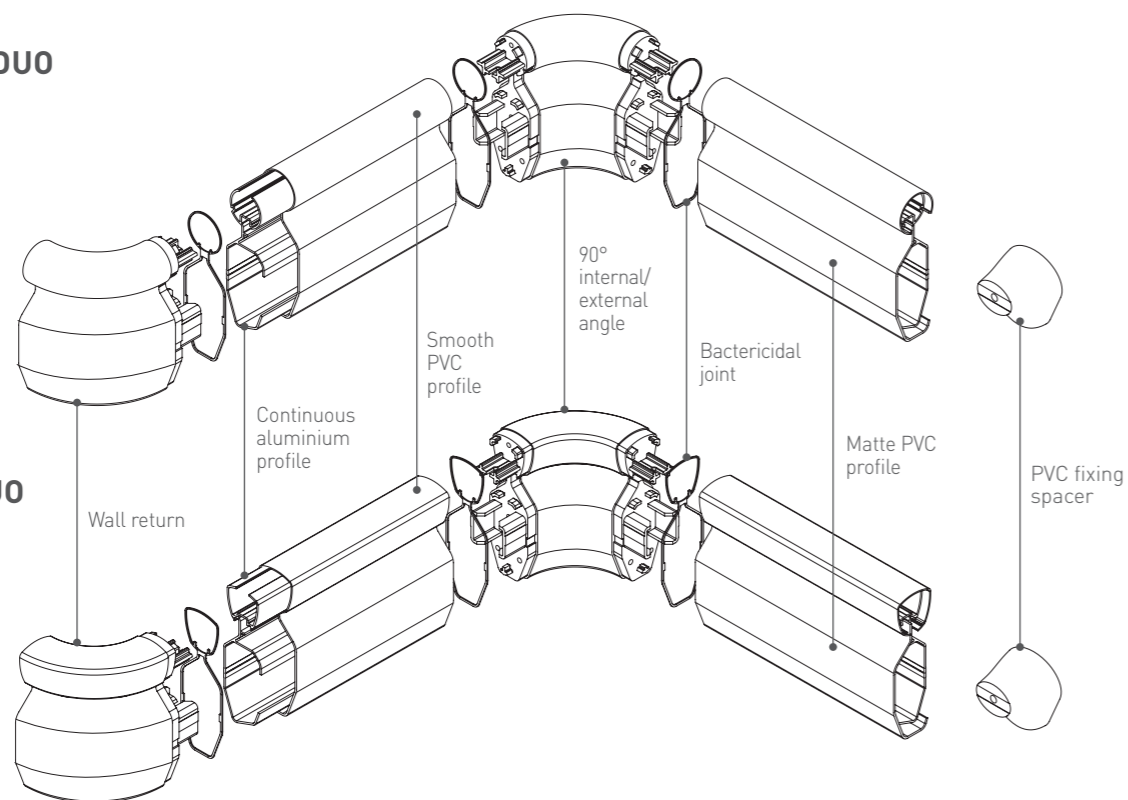


ESCORT'DUO



ESCORT'DUO

LINEA'DUO



HANDRAILS



*virucidal activity against human coronavirus HCoV-229E according to ISO 21702. On our PVC handrails, 99.96% of the virus eliminated after two hours



Performer 2 | 5 colours



PERFORMER 2

PROTECTION HANDRAIL - 140 MM HIGH

BACTERICIDAL JOINT



Colours available per product: please see the colour summary hinge



APPLICATIONS

Offering both an excellent handgrip and impact resistance for corridors, this protection handrail, is ideal for all public buildings: hospitals, clinics, re-education centres, homes for the elderly.

It benefits from an installation system which facilitates and speeds up the installation.

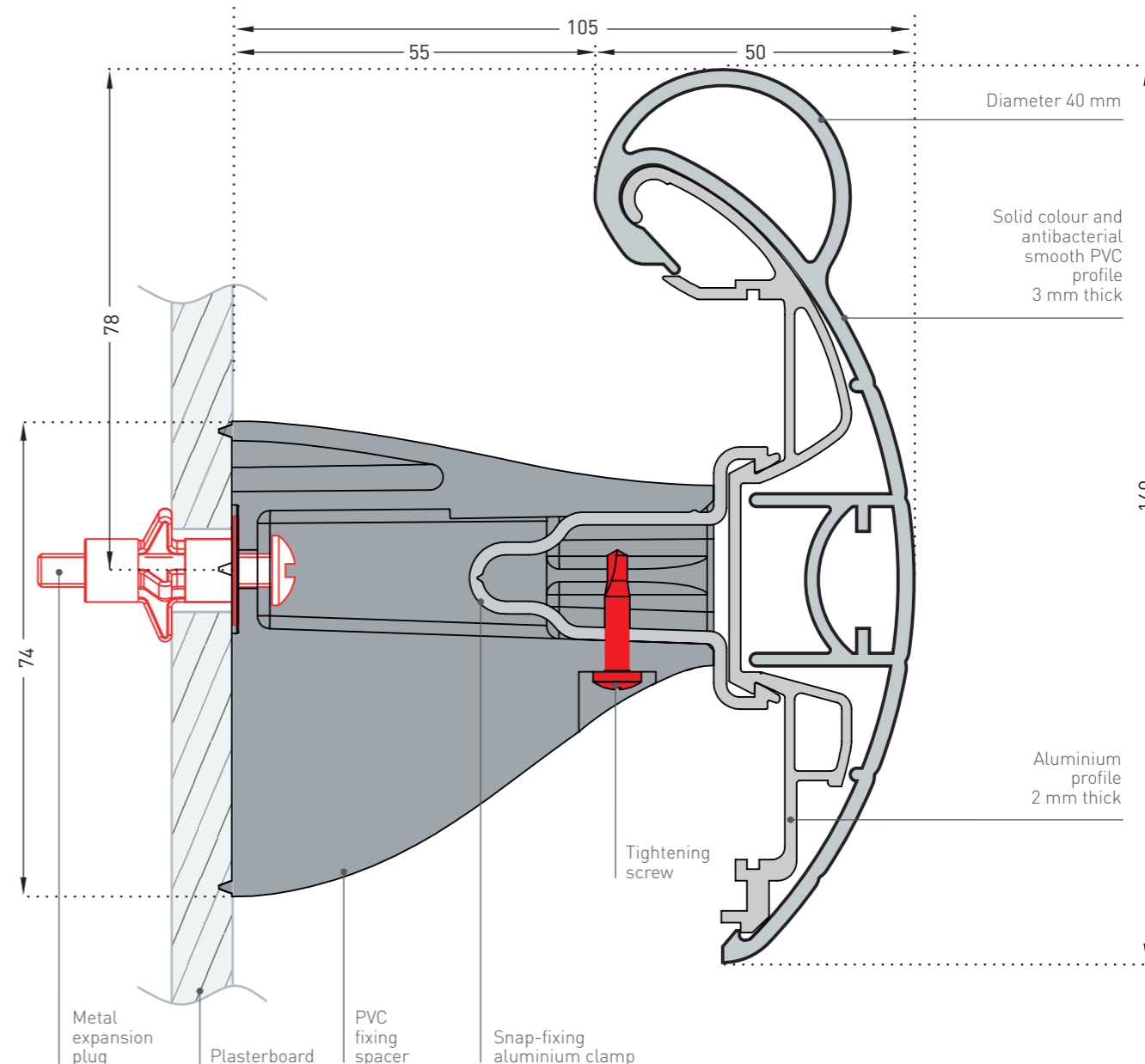
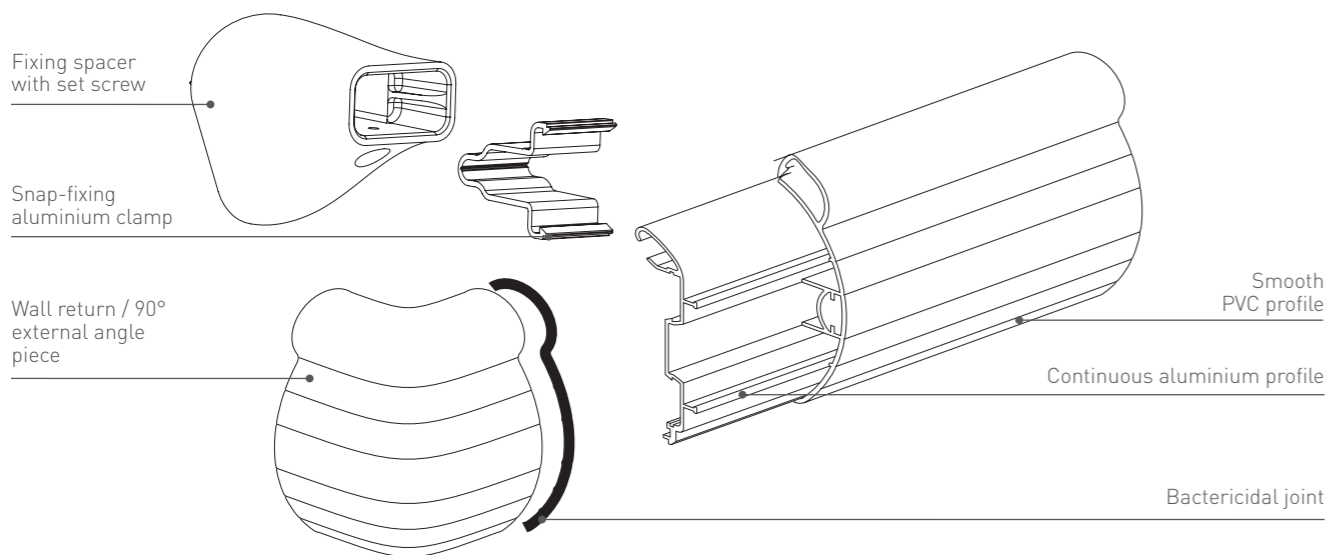
It is fitted with bactericidal joints (refer to page 102).

SPECIFICATION

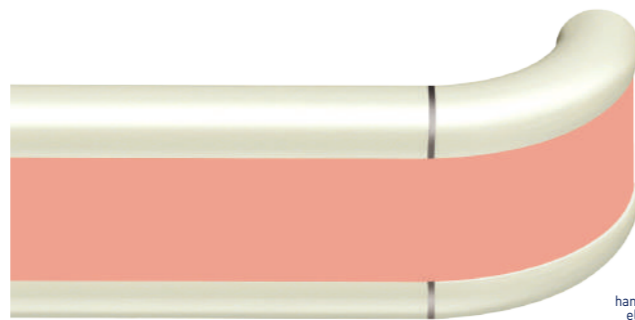
- Description: protection handrail (Performer 2 as manufactured by SPM) with quick fixing system, from 3 mm thick smooth and antibacterial PVC achieving Bs2d0 reaction to fire classification with solid colour. The height of the handrail is 140 mm, it has an overall protection of 105 mm and a depth of 50 mm. It consists of a completely smooth tubular upper part (diameter 40 mm) and a lower wall protection rail with decorative grooves. A protective film is specified to minimise cleaning before acceptance. The PVC profile snap-fixes onto a continuous aluminium profile, 2 mm thick, and finish is provided by smooth PVC accessories with decorative grooves (wall returns, 90° external angles). The unit is fitted into a PVC fixing spacer thanks to aluminium clamp. It is fitted with bactericidal joints.
- Environment: no heavy metals and no substance potentially subjected to any REACH restriction are used in its manufacture, nor PBT/BPA. The calcium-zinc thermal stabilisation process is used. The emission level of volatile substance in inside air has been tested according to ISO 16000-6 and is very low (A+) according to the French regulation (23 March 2011 nr 2011-321 Decree and 19 April 2011 Order). 100% of the product are recyclable.
- Colour: selected by architects from manufacturer's standard range.
- Installation method: upper edge of section 0.90 m max. above floor level. Fixing on PVC spacers to be fitted at 1.20 m centres (0.80 m centres in heavy traffic corridors and on light partitions like plasterboard). Wall returns and external angles fixing with pop rivets.

DESCRIPTION

- Model: Performer 2 protection handrail
- Height: 140 mm
- Length: 4 m
- Tubular upper part diameter: 40 mm
- Depth: 50 mm
- Overall projection: 105 mm
- Stand-off from wall: 55 mm
- Material: 3 mm thick antibacterial and Bs2d0 fire-rated PVC, solid colour, bactericidal joint
- Surface finish:
 - upper handrail: smooth
 - protection rail: with decorative grooves
- Fixing: interlocking into quick fit PVC spacers to be fitted at 1.20 m centres (0.80 m centres in heavy traffic corridors and on light partitions like plasterboard)
- Colours: 5



HANDRAILS



VIRUCIDAL*
99.96%

*virucidal activity against human coronavirus HCoV-229E according to ISO 21702. On our PVC handrails, 99.96% of the virus eliminated after two hours



2 profile colours



Chalk PVC sheathed



Gravel PVC sheathed



Decochoc band | 39 colours

STARLINE - PVC SHEATHED PROTECTION HANDRAIL WITH DECOCHOC PVC BAND 90 MM HIGH

BACTERICIDAL JOINT



APPLICATIONS

A combination of technology and elegant design, the Starline range is the ideal solution for all straight and curved corridor areas in public buildings: hospitals, clinics, retirement homes, hotels, offices.

Starline can be bent for curved sections.

A removeable system is available to provide continuation of the handrail in front of service ducts.

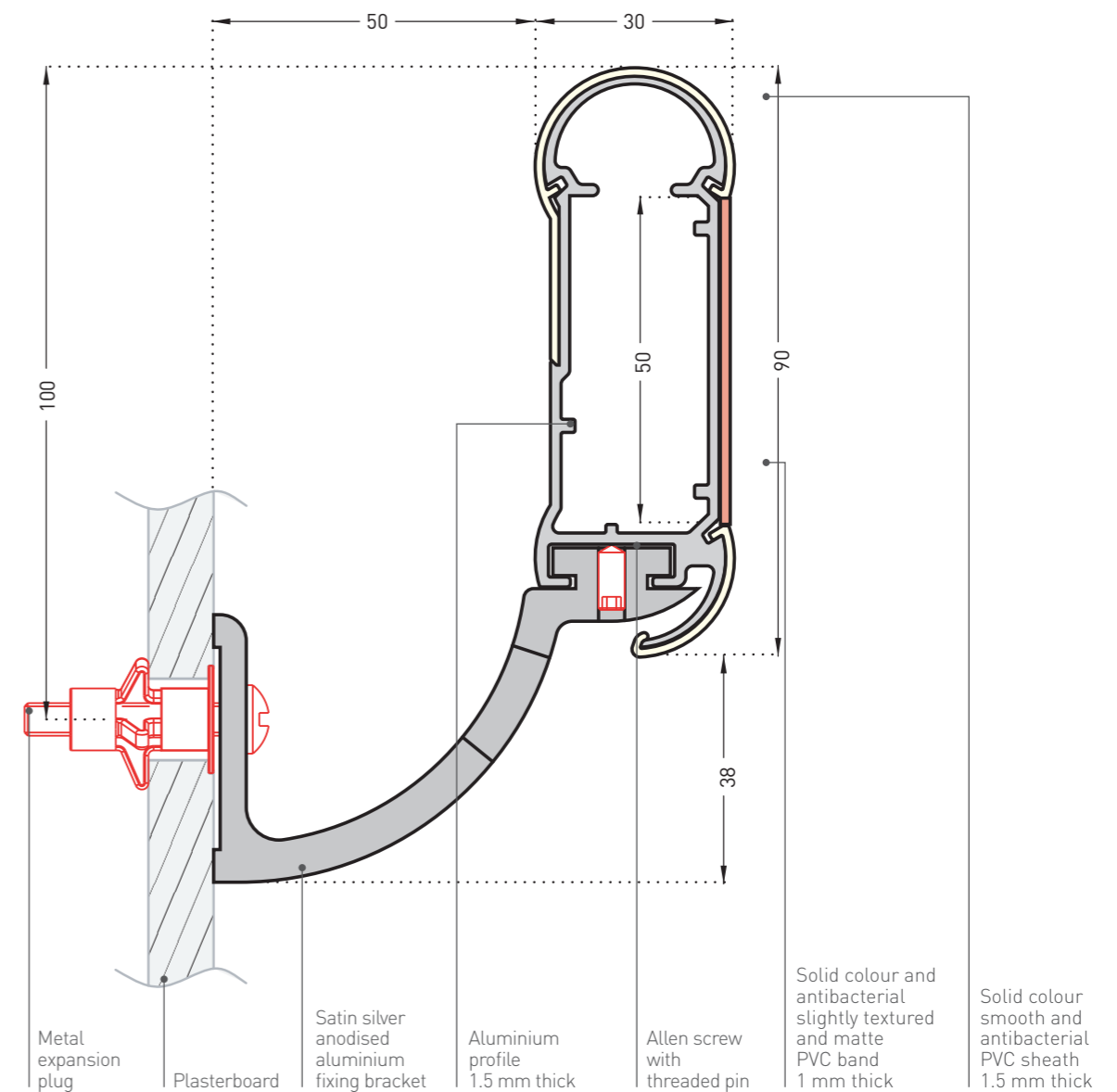
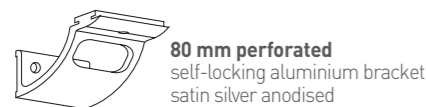
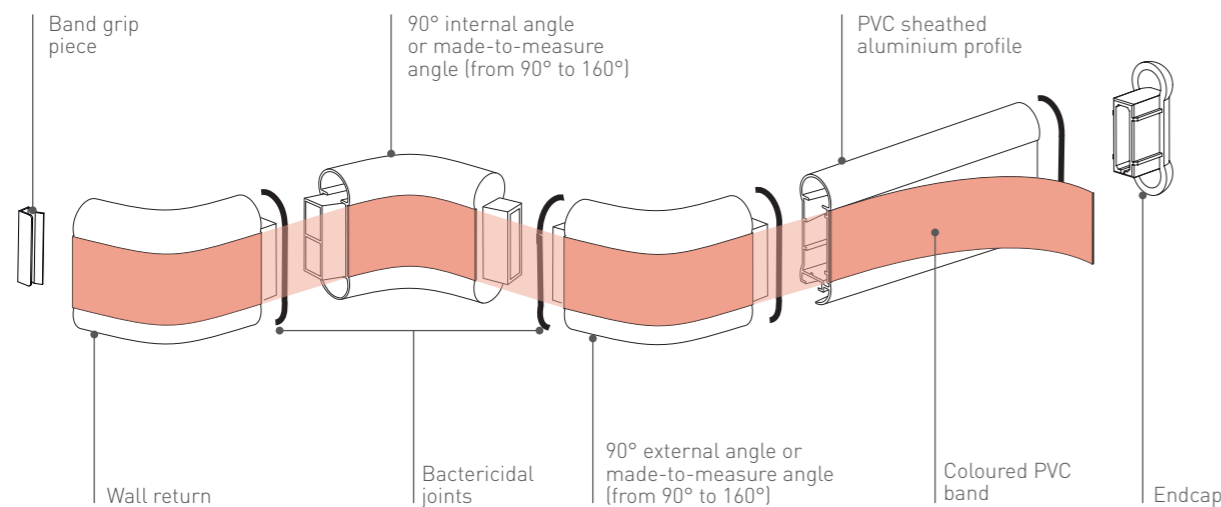
It is fitted with bactericidal joints (refer to page 102).

SPECIFICATION

- Description: PVC sheathed protection handrail with a slightly textured PVC band (Starline - PVC sheathed as manufactured by SPM). The height of the handrail is 90 mm, it has an overall projection of 80 mm and a depth of 30 mm. It consists of a 1.5 mm thick continuous aluminium profile covered by a 1.5 mm thick smooth and antibacterial PVC sheath achieving Bs2d0 reaction to fire classification with solid colour. It comprises a groove into which satin silver anodised aluminium brackets, 40 mm deep, curved and perforated with 2-point self-locking, slide and lock. Smooth and antibacterial PVC accessories with solid colour (wall returns, 90° internal and external angle pieces or made-to-measure from 90° to 160°, endcaps), are sleeved into the profile. A self-adhesive slightly textured and matte PVC band (Decochoc as manufactured by SPM), 1 mm thick, is bonded over the rail assembly. It is fitted with bactericidal joints and the profile can be curved.
- Environment: no heavy metals and no substance potentially subjected to any REACH restriction are used in its manufacture, nor PBT/BPA. The calcium-zinc thermal stabilisation process is used. The emission level of volatile substance in inside air has been tested according to ISO 16000-6 and is very low (A+) according to the French regulation (23 March 2011 nr 2011-321 Decree and 19 April 2011 Order). 100% of the product are recyclable.
- Colour: selected by architects from manufacturer's standard range.
- Installation method: upper edge of section 0.90 m max. above floor level. Fixes to 2-point self-locking perforated brackets screwed to the wall at 1.20 m centres (0.80 m centres in heavy traffic corridors and on light partitions like plasterboard). Wall returns, angles and endcaps to be fixed with pop rivets.

DESCRIPTION

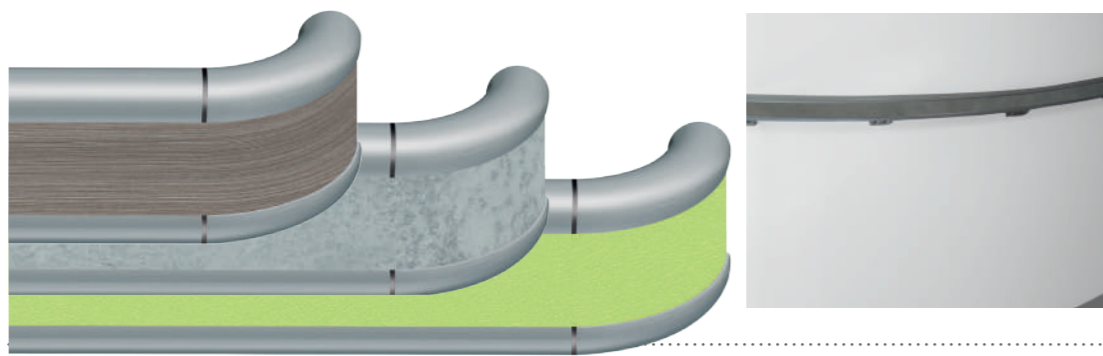
- Model: Starline - PVC sheathed protection handrail with PVC Decochoc band
- Height: 90 mm
- Length: 4 m
- Depth: 30 mm
- Overall projection: 80 mm
- Stand-off from wall: 50 mm
- Material: aluminium profile with an antibacterial and Bs2d0 fire-rated PVC sheath and a PVC band, bactericidal joint
- Fixing: on 2-point self-locking perforated satin silver anodised aluminium brackets, screwed to wall at 1.20 m centres (0.80 m centres in heavy traffic corridors and on light partitions like plasterboard)
- Colours:
 - 2 for the profile
 - 39 for the PVC band



HANDRAILS

Colours available per product: please see the colour summary hinge





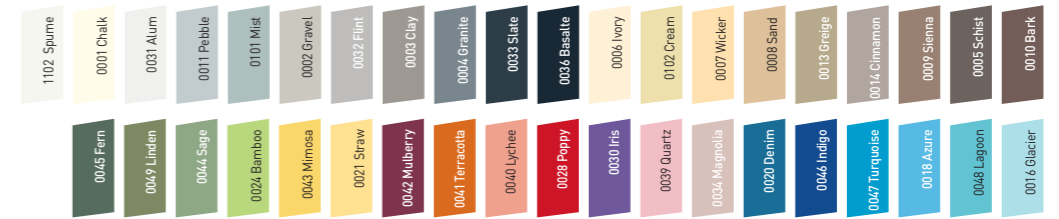
Decotrend band
| 4 trend decors



Decowood band
| 7 wood decors



Decochoc band
| 39 colours



Colours available per product: please see the colour summary hinge



STARLINE - ANODISED ALUMINIUM HANDRAIL WITH DECOWOOD, DECOTREND OR DECOCHOC BAND - 90 MM HIGH

BACTERICIDAL JOINT

APPLICATIONS

This handrail provides both a good grip and a stylish decorative touch with its wood, trend effect or coloured band. Starline anodised is ideally suited for corridor areas with light traffic of trolleys in public buildings: hospitals, clinics, retirement homes, hotels, offices.

It can be bent for curved sections and a removeable system is available to provide continuation of the handrail in front of service ducts.

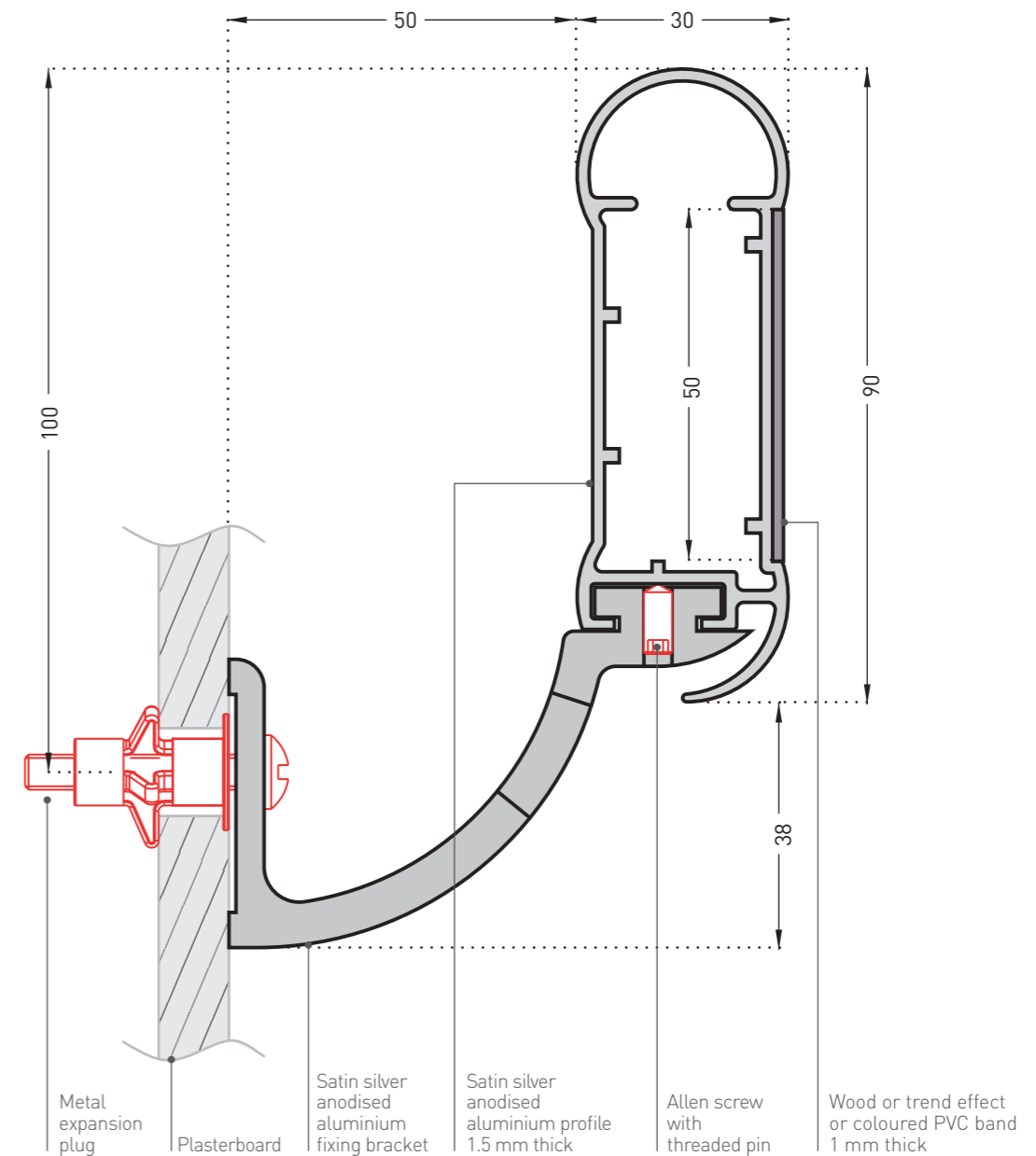
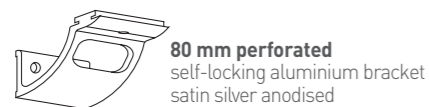
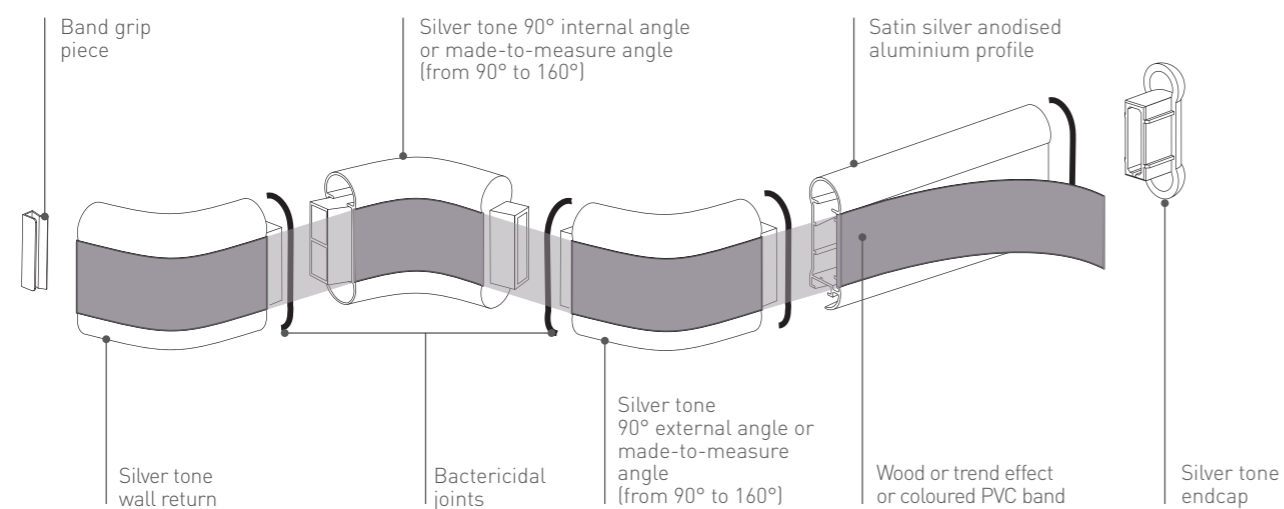
It is fitted with bactericidal joints (refer page 102).

SPECIFICATION

- Description: anodised aluminium handrail with a wood, trend or slightly textured coloured PVC band (Starline - Anodised -Decowood, Decotrend or Decochoc- as manufactured by SPM). The height of the handrail is 90 mm, it has an overall projection of 80 mm and a depth of 30 mm. It consists of a 1.5 mm thick continuous aluminium profile with a groove into which satin silver anodised aluminium brackets, 40 mm deep, curved and perforated with 2-point self-locking, slide and lock. Smooth and antibacterial PVC accessories in silver tone with solid colour (wall returns, 90° internal and external angle pieces or made-to-measure from 90° to 160°, endcaps), are sleeved into the profile. A self-adhesive PVC band, 1 mm thick, wood, trend or coloured (Decowood, Decotrend or Decochoc as manufactured by SPM), is bonded over the rail assembly. It is fitted with bactericidal joints and the profile can be curved.
- Environment: no heavy metals and no substance potentially subjected to any REACH restriction are used in its manufacture, nor PBT/BPA. The calcium-zinc thermal stabilisation process is used. The emission level of volatile substance in inside air has been tested according to ISO 16000-6 and is very low (A+) according to the French regulation [23 March 2011 nr 2011-321 Decree and 19 April 2011 Order]. 100% of the product are recyclable.
- Colour: selected by architects from manufacturer's standard range.
- Installation method: upper edge of section 0.90 m max. above floor level. Fixes to 2-point self-locking perforated brackets screwed to the wall at 1.20 m centres (0.80 m centres in heavy traffic corridors and on light partitions like plasterboard). Wall returns, angles and endcaps to be fixed with pop rivets.

DESCRIPTION

- Model: Starline - Anodised aluminium handrail with wood or trend effect or coloured PVC band
- Height: 90 mm
- Length: 4 m
- Depth: 30 mm
- Overall projection: 80 mm
- Stand-off from wall: 50 mm
- Material: satin silver anodised aluminium profile with wood or trend effect or coloured PVC band, Bs2d0 fire rated, bactericidal joint
- Fixing: on 2-point self-locking perforated satin silver anodised aluminium brackets, screwed to wall at 1.20 m centres (0.80 m centres in heavy traffic corridors and on light partitions like plasterboard)
- Colours for the band:
 - 7 wood decors
 - 4 trend decors
 - 39 colours





VIRUCIDAL*
99.96%

*virucidal activity against human coronavirus HCoV-229E according to ISO 21702. On our PVC handrails, 99.96% of the virus eliminated after two hours



Available in LED option (p.116-117)



Colours on order

Colours available per product: please see the colour summary hinge



LINEA TOUCH - PVC SHEATHED TRILOBED HANDRAILS - 40 MM WIDTH

BACTERICIDAL JOINT



APPLICATIONS

Developed with the help of architects and designers, the Linea Touch handrail combines design, ergonomics and extreme impact resistance.

Its exclusive trilobed shape, validated by ergonomists, provides an excellent grip while protecting the walls effectively and discreetly.

Thanks to its large choice of accessories and colours for endless combinations, Linea Touch handrail is also available in a reinforced version in order to offer an unity of design throughout the building, whatever the level of protection required.

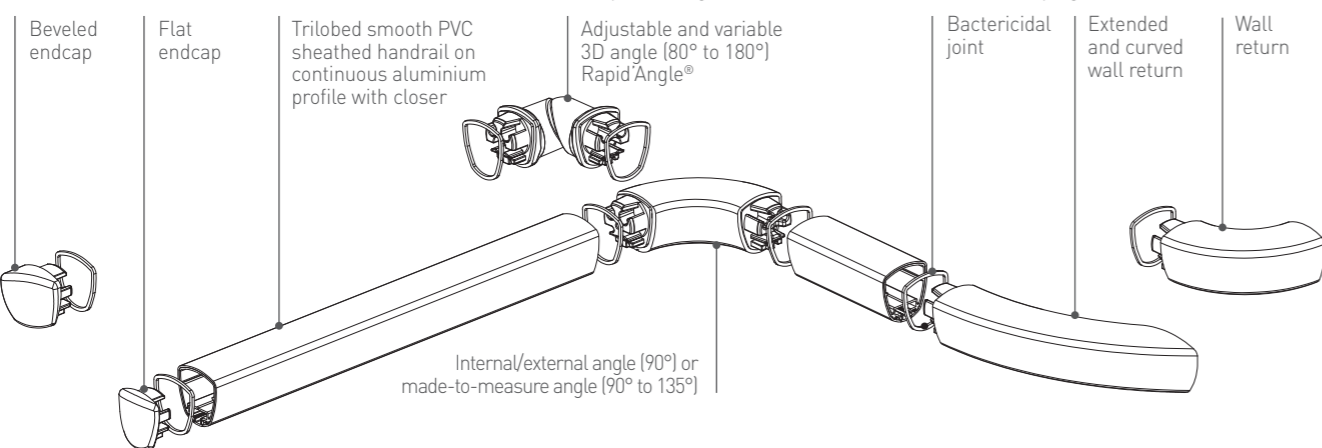
Linea Touch can be used in all public areas, delivering aesthetic harmony from light to heavy traffic areas: hospitals, clinics, retirement homes, hotels, public buildings, offices.

It can be bent and provides various technical solutions for continuity in staircases and in front of service ducts.

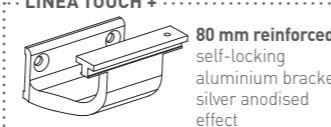
It is fitted with bactericidal joints (refer to page 102).

SPECIFICATION

- Description: trilobed handrail with PVC sheath (Linea Touch or Linea Touch+ - PVC sheathed as manufactured by SPM) with a cross section from 28 to 40 mm to give it an ergonomic and anti-rotation design. It is 42 mm high, 40 mm width and projects 80 mm from the wall (or 90 mm on request). It consists of a 2 mm thick continuous aluminium profile, or a 5 mm one for the reinforced version, covered by a 2 mm thick smooth and antibacterial, PVC sheath, achieving Bs2d0 reaction to fire classification with solid colour, and a closer underneath. A protective film is specified to minimise cleaning before acceptance. The section comprises a groove into which brackets and closer slide and lock. Wall fixing is by silver anodised effect aluminium brackets with 2-point self-locking: 20 mm wide refined bracket or 55 mm wide bugled bracket (for Linea Touch) or 80 mm wide reinforced bracket (for the reinforced Linea Touch+). Wall fixing is also available by swan-neck with 70 mm rose brackets, in brushed stainless steel. The axial position of the brackets provides an excellent guiding. Various smooth and antibacterial PVC accessories achieving Bs2d0 reaction to fire classification with solid colour (flat or beveled endcaps, classic or extended and curved wall returns, 90° internal/external angle or made-to-measure from 90° to 135°), supplied with bactericidal joints, are available to finish the handrail assembly and are sleeved into the profile with clamping screws. All technical solutions are available to ensure continuity around corners (90° or made-to-measure), in staircases (3-way "universal joint" rotation angle -Rapid'Angle® as manufactured by SPM), across service ducts (quick removable assembly wedge) and around curved sections (pre-curved in the factory). These handrails achieve an impact resistance in excess of 70 Joules - i.e. an impact of more than 220 kg travelling at 2 km/h- (for Linea Touch) and of 110 Joules - i.e. an impact of more than 320 kg travelling at 2 km/h- (for the reinforced version Linea Touch+).
- Environment: no heavy metals and no substance potentially subjected to any REACH restriction are used in its manufacture, nor PBT/BPA. The calcium-zinc thermal stabilisation process is used. The emission level of volatile substance in inside air has been tested according to ISO 16000-6 and is very low (A+) according to the French regulation (23 March 2011 nr 2011-321 Decree and 19 April 2011 Order). 100% of the product are recyclable.
- Colour: selected by architects from manufacturer's standard range.
- Installation method: upper edge of section 0.90 m max. above floor level. Fixes to 2-point or 3-point self-locking brackets, depending on the model, screwed to the wall at 1.20 m centres (0.80 m centres in heavy traffic corridors and on light partitions like plasterboard). Wall returns, endcaps and angles to be fixed with 2.5 mm Allen clamping screws.



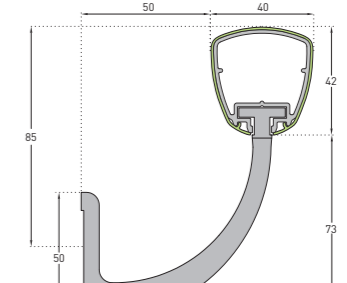
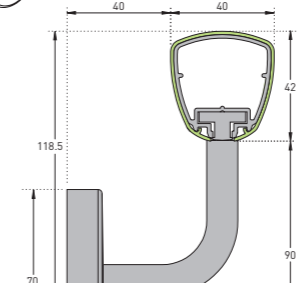
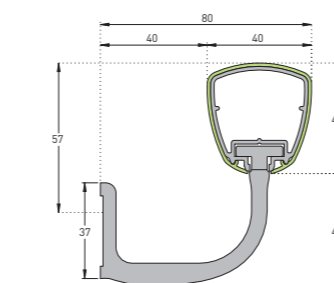
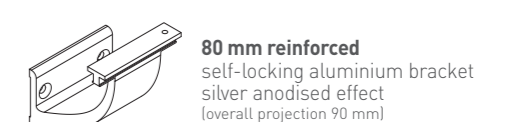
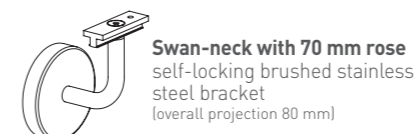
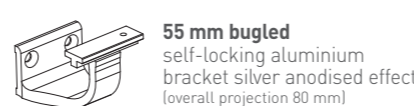
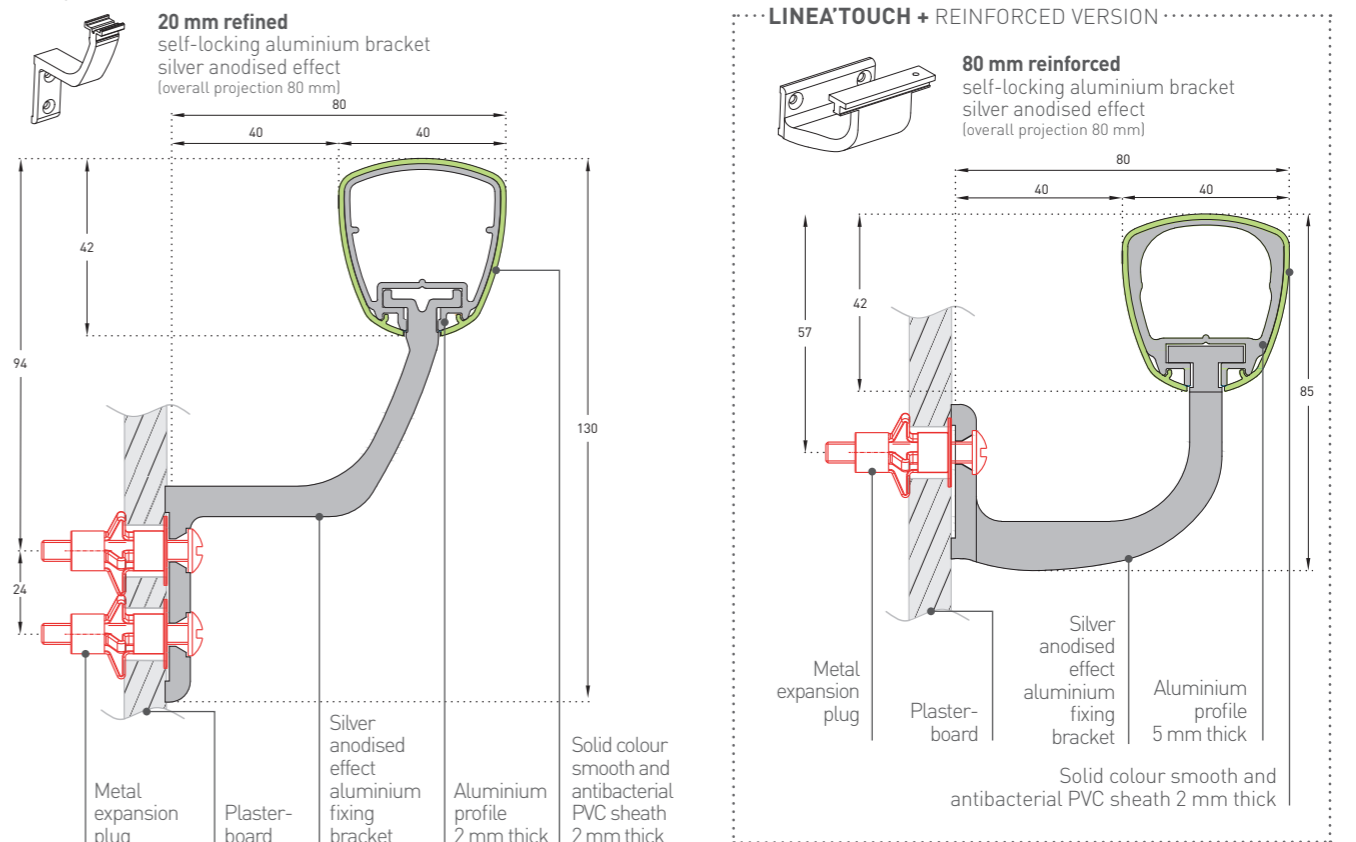
Internal/external angle (90°) or made-to-measure angle (90° to 135°)



DESCRIPTION

- Model: Linea Touch or Linea Touch+ (reinforced version) - PVC sheathed - trilobed handrail
- Cross section: height 42 x width 40 mm
- Length: 4 m
- Overall Projection: 80 mm (90 mm on request)
- Stand-off from wall: 40 mm (50 mm on request)
- Material: antibacterial and Bs2d0 fire-rated PVC, solid colour, on continuous aluminium profile, bactericidal joint
- Fixing: on self-locking brackets - refined, bugled or reinforced, 2-point fixing in aluminium, silver anodised effect - swan-neck with 70 mm rose, 3 point fixing in brushed stainless steel

- screwed to the wall every 1.20 m (0.80 m centres in heavy traffic areas and on light partitions like plasterboard)
- Colours: 3 - 28 in stock - 11 on order



Specifications and section drawings on our website www.spm-international.com
bimobject BimObject in Revit and Archicad



VIRUCIDAL*
99.96%

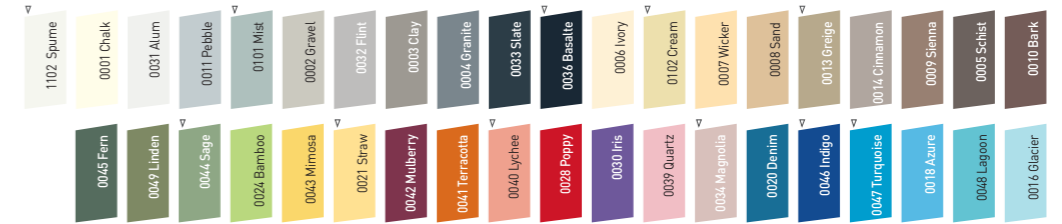
*virucidal activity against human coronavirus HCoV-229E according to ISO 21702. On our PVC handrails, 99.96% of the virus eliminated after two hours



Linea Touch LED
Coloured filter
5 colours



Linea Touch LED - PVC Sheathed | 39 colours



Colours on order

Colours available per product: please see the colour summary hinge

LINEA TOUCH LED - PVC SHEATHED TRILOBED HANDRAILS - 40 MM WIDTH

BACTERICIDAL JOINT



APPLICATIONS

The new Linea Touch LED handrail is designed to help people move around safely in corridors and traffic areas. Thanks to its exclusive trilobed shape, developed with our partner architects and validated by ergonomists, the Linea Touch LED handrail provides an excellent handgrip while protecting walls effectively and now offers a user guiding system thanks to integrated lighting.

Ideal in hospitals, clinics, retirement homes, disability centers, performance venues, hotels, offices, etc., the LED handrail provides comfort and safety for your users and staff, along with design and aesthetics for your establishment. With Linea Touch LED, create your customised ambiance, for each area, department or floor.

The Linea Touch LED handrail operates with a 24 VDC 60 W dimmable power supply box for a maximum handrail length of 8 meters. The internal/external angle pieces have an integrated power cable for connection with the LED bands. The power supply can be placed in a false ceiling or electrical cabinet for easier maintenance (intervention by an electrician is recommended). A switch, programmer or proximity sensor can be associated with the handrail.

Refer to the Installation Procedures.

It is fitted with bactericidal joints [refer to page 102].

DESCRIPTION

- Model: Linea Touch LED - PVC sheathed - trilobed handrail
- Cross section: height 42 mm x width 40 mm
- Length:
 - Handrail: 4 m
 - LED band: 5 m (cuttable)
 - Coloured filter: 1 m
- Overall Projection: 80 mm
- Stand-off from wall: 40 mm
- Material: antibacterial and Bs2d0 fire-rated PVC, solid colour, on continuous aluminium profile, bactericidal joint
- Fixing: on bugled and quick removable 2-point self-locking aluminium brackets, silver anodised effect, screwed to the wall every 1.20 m (0.80 m centres in heavy traffic areas and on light partitions like plasterboard)
- Colours:
 - 28 in stock and 11 on order for the handrail
 - 5 for the optional coloured filter

SPECIFICATION

Package: Carpentry/Joinery

- Description: trilobed handrail with PVC sheath and lighting LED system (Linea Touch LED - PVC sheathed as manufactured by SPM) with a cross section from 28 to 40 mm to give it an ergonomic and anti-rotation design. It is 42 mm high, 40 mm width and projects 80 mm from the wall. It consists of a 2 mm thick continuous aluminium profile, covered by a 2 mm thick smooth and antibacterial PVC sheath, achieving Bs2d0 reaction to fire classification with solid colour, a wire connector, a LED band of 5 meters which can be cut every 50 mm, and a closer underneath. A protective film is specified to minimise cleaning before acceptance. The section comprises a groove into which brackets and closer slide and lock. A colour filter (colour selected by architects from manufacturer's standard range) can be inserted between the LED band and the closer. Wall fixing is by quick removable silver anodised effect aluminium bugled brackets with 2-point self-locking, 55 mm wide. The axial position of the brackets provides an excellent guiding. Various smooth and antibacterial PVC accessories, achieving Bs2d0 reaction to fire classification with solid colour, [classic wall returns, 90° internal/external angles or made-to-measure from 90° to 135°], supplied with bactericidal joints, are available to finish the handrail assembly and are sleeved into profile with clamping screws. Technical solutions are available to ensure continuity around corners (90° or made-to-measure with integrated wire connector). In staircases (3-way "universal joint" rotation angle - Rapid'Angle® as manufactured by SPM) and across service ducts (Quick-removable assembly wedge) continuity is ensured without LED system. This handrail achieves an impact resistance in excess of 70 Joules -i.e. an impact of more than 220 kg travelling at 2 km/h.

- Norms: CE compliant with European Directives, Class III (LED only).

- Environment:

- Electrical components (LED bands and cables): compliant with RoHS Directive.
- Handrail and accessories: no heavy metals and no substance potentially subjected to any REACH restriction are used in its manufacture, nor PBT/BPA. The calcium-zinc thermal stabilisation process is used. The emission level of volatile substance in inside air has been tested according to ISO 16000-6 and is very low (A+) according to the French regulation (23 March 2011 nr 2011-321 Decree and 19 April 2011 Order). 100% of the product are recyclable.

- Colour: selected by architects from manufacturer's standard range.

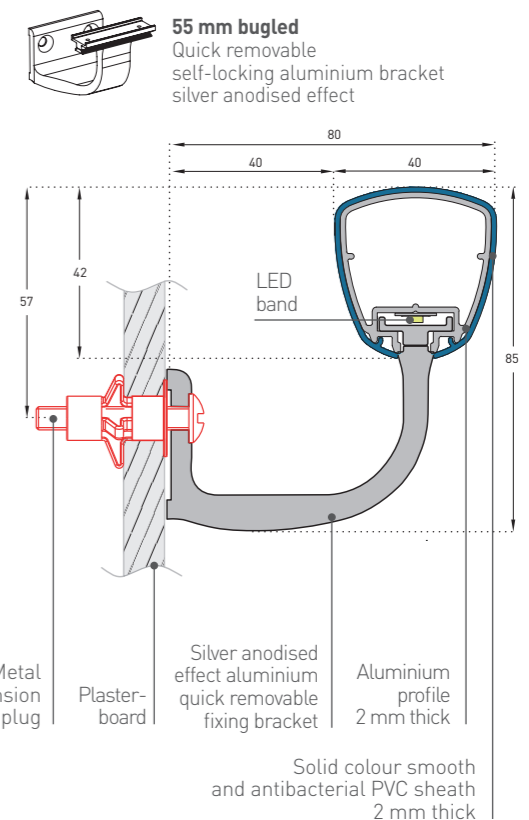
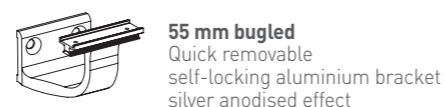
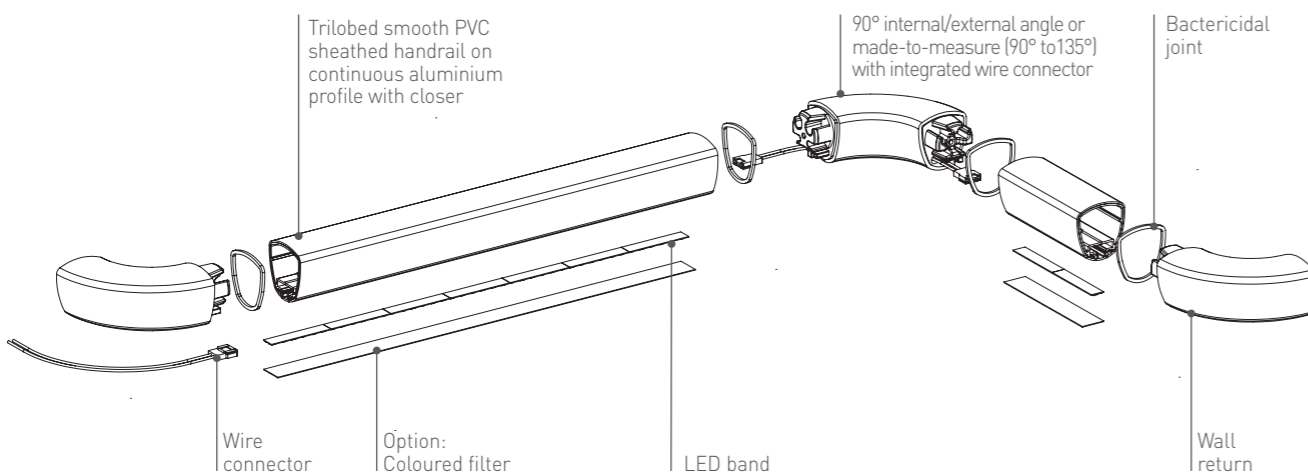
- Installation method: upper edge of section 0.90 m max. above floor level. Fixes to 2-point quick removable assembly self-locking 55 mm bugled bracket in aluminium screwed to the wall every 0.80 m to 1.20 m centres (0.80 m centres in heavy traffic corridors and on light partitions like plasterboard). Wall returns and angles to be fixed with 2.5 mm Allen clamping screws. Operates with a dimmable 24 VDC constant voltage power supply box with sufficient power for a LED band of 12W/m (dimmable driver 24 VDC 60W as supplied by SPM). The power supply and the electrical connection belong to the Electrical installation package.

Package: Electrical installation

- The trilobed handrail with lighting LED system (Linea Touch LED - PVC sheathed as manufactured by SPM), operates with a dimmable 24 VDC constant voltage power supply box with sufficient power for a LED band of 12W/m (dimmable driver 24 VDC 60W as supplied by SPM) which gets the following characteristics:

- Output voltage Uout: 24 VDC
- Max power: 60 W
- Maximum length: 8 m
- Graduation technology: 0-10 V PWM Resistance
- Dimensions: 150 x 53 x 35 mm

- The power supply and the electrical connection belong to the Electrical installation package.





Available in LED option (p.120-121)



Colours available per product: please see the colour summary hinge



LINEA'TOUCH - DECOWOOD & ANODISED TRILOBED HANDRAILS - 40 MM WIDTH

BACTERICIDAL JOINT

APPLICATIONS

With a wood effect or satin silver anodised aluminium finish, the Linea'Touch handrails combine design, ergonomics and elegance. Their exclusive trilobed shape, validated by ergonomists, provides an excellent grip discreetly.

Thanks to their large choice of accessories, they fit into all insides of buildings open to the public with light traffic: corridors and staircases in retirement homes, schools, hotels, apartment blocks, public buildings, offices.

They can be bent and provide various technical solutions for continuity in staircases and in front of service ducts.

They are fitted with bactericidal joints (refer to page 102).

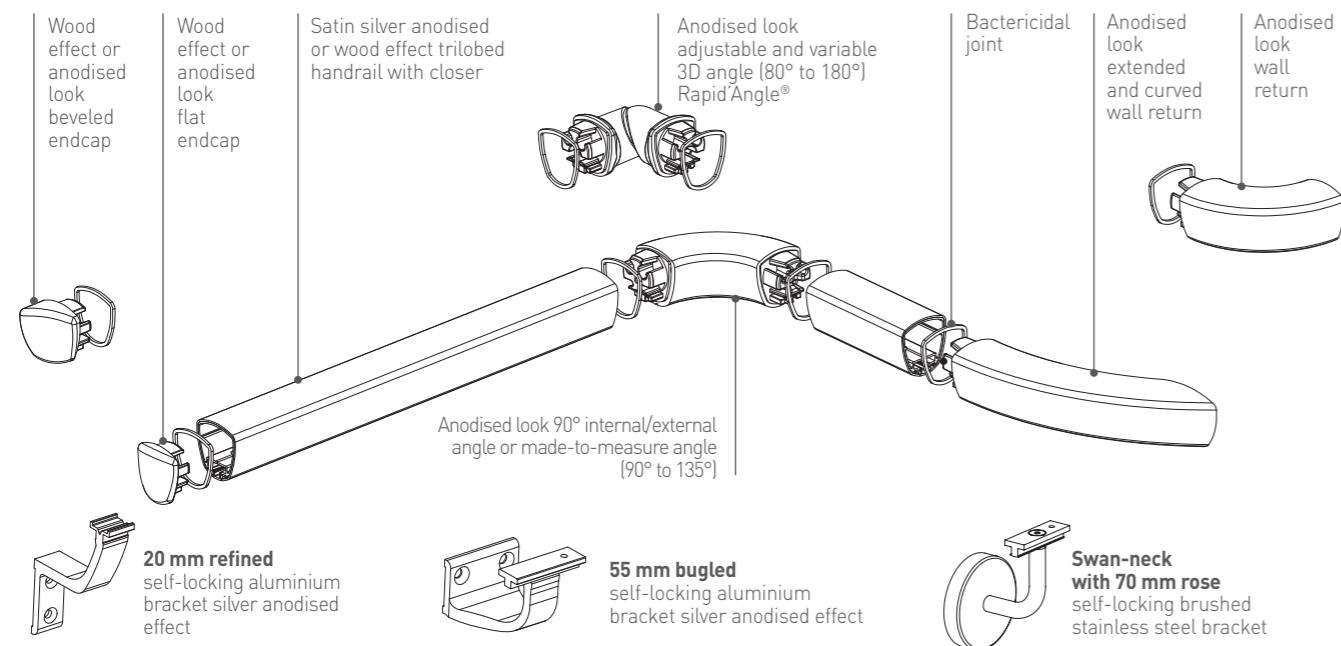
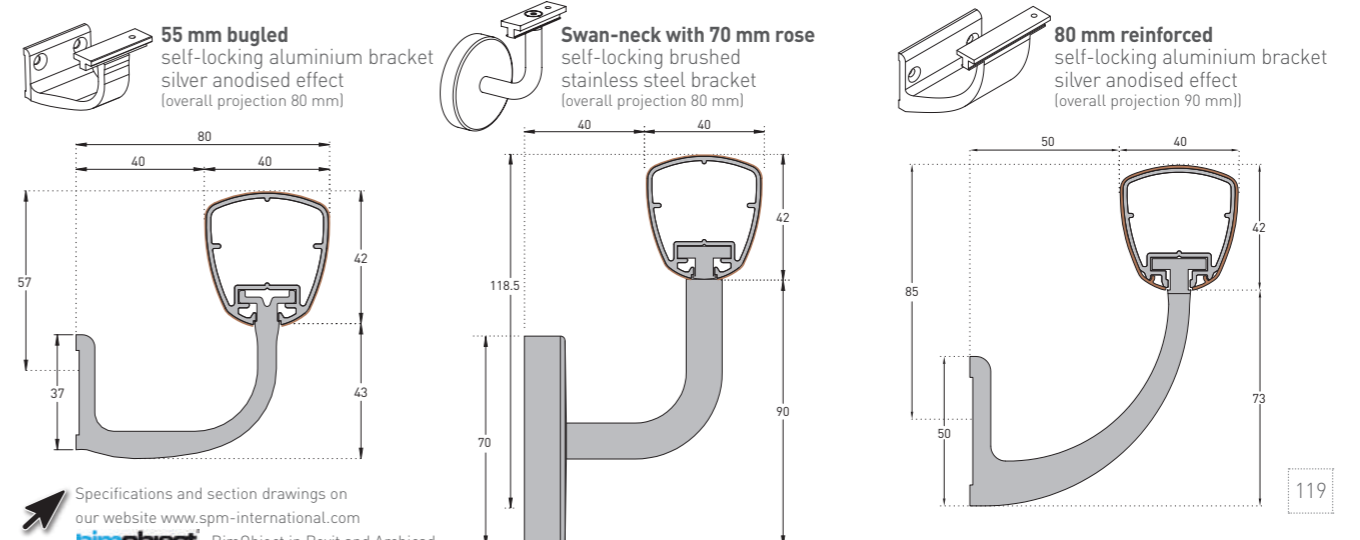
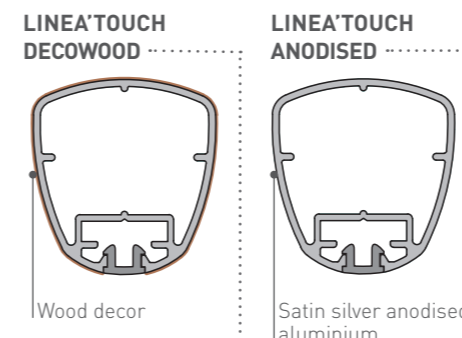
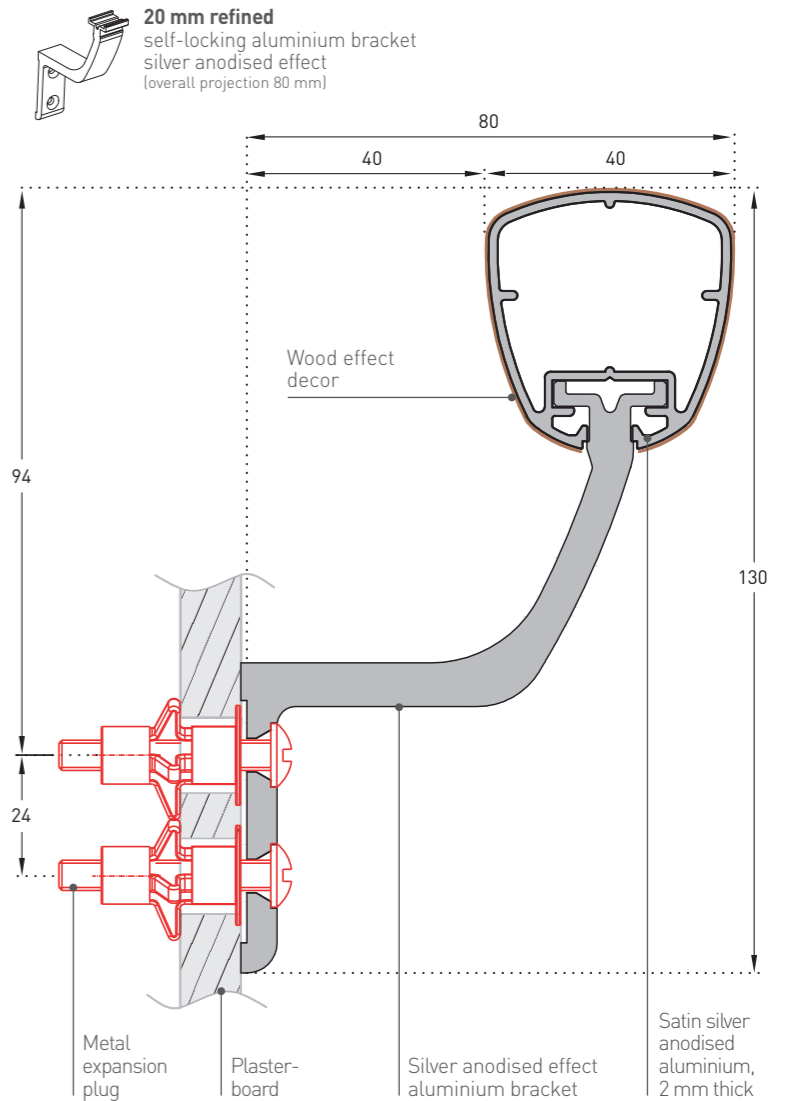
SPECIFICATION

- Description:** trilobed wood effect handrail (Linea'Touch - Decowood as manufactured by SPM) or satin silver anodised aluminium handrail (Linea'Touch - Anodised as manufactured by SPM) with a cross section from 28 to 40 mm to give it an ergonomic and anti-rotation design. It is 42 mm high, 40 mm width and projects 80 mm from the wall (or 90 mm on request). It consists of a 2 mm thick aluminium profile covered with a wood decor PVC film (Decowood) or 10 micron satin silver anodised (Anodised) and a closer underneath. The section comprises a groove into which brackets and closer slide and lock. Wall fixing is by silver anodised effect aluminium brackets with 2-point self-locking: 20 mm wide refined bracket or 55 mm wide bugled bracket. Wall fixing is also available by swan-neck with 70 mm rose brackets, in brushed stainless steel, 3 point self-locking. The axial position of the brackets provides an excellent guiding. Various smooth and antibacterial PVC accessories with solid colour (flat or beveled endcaps, classic or extended and curved wall returns, 90° internal/external angle or made-to-measure from 90° to 135°), supplied with bactericidal joints, are available in anodised look to finish the handrail assembly and are sleeved into the profile with clamping screws. All technical solutions are available to ensure continuity around corners (90° or made-to-measure), in staircases (3-way "universal joint" rotation angle - Rapid'Angle® as manufactured by SPM), across service ducts (quick removable assembly wedge) and around curved sections (pre-curved in the factory). These handrails achieve an impact resistance in excess of 70 Joules, i.e., an impact of more than 220 kg travelling at 2 km/h.
- Environment:** no heavy metals and no substance potentially subjected to any REACH restriction are used in its manufacture, nor PBT/ BPA. The calcium-zinc thermal stabilisation process is used. The emission level of volatile substance in inside air has been tested according to ISO 16000-6 and is very low (A+) according to the French regulation [23 March 2011 nr 2011-321 Decree and 19 April 2011 Order]. 100% of the product are recyclable.
- Colour:** selected by architects from manufacturer's standard range.
- Installation method:** upper edge of section 0.90 m max. above floor level. Fixes to 2-point or 3-point self-locking brackets, depending on the model, screwed to the wall at 1.20 m centres (0.80 m centres in heavy traffic corridors and on light partitions like plasterboard). Wall returns, endcaps and angles to be fixed with 2.5 mm Allen clamping screws.

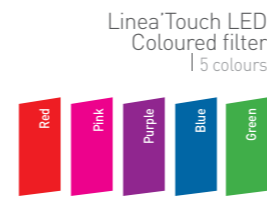
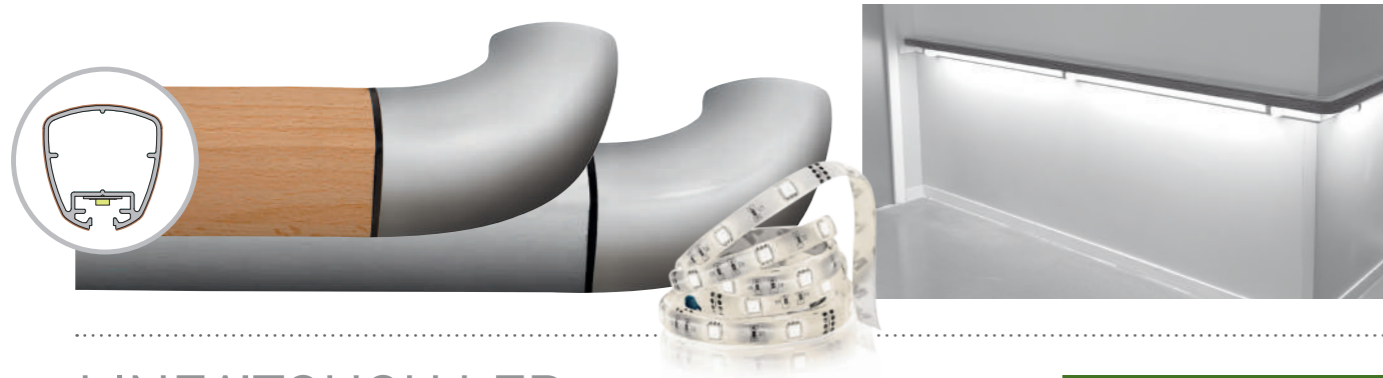


DESCRIPTION

- Model:** Linea'Touch - Decowood or Anodised - trilobed handrail
- Cross section:** height 42 mm x width 40 mm
- Length:** 4 m
- Overall projection:** 80 mm (90 mm on request)
- Stand-off from wall:** 40 mm (50 mm on request)
- Material:** 10 micron satin silver anodised aluminium or wood effect PVC, bactericidal joint
- Fixing:** on self-locking brackets
 - refined, bugled or reinforced, 2-point fixing in aluminium, silver anodised effect
 - swan-neck with 70 mm rose, 3 point fixing in brushed stainless steel screwed to the wall every 1.20 m (0.80 m centres in heavy traffic areas and on light partitions like plasterboard)
- Colours:**
 - 6 wood decors for Linea'Touch - Decowood
 - satin silver anodised for Linea'Touch - Anodised



HANDRAILS



LINEA'TOUCH LED - DECOWOOD & ANODISED TRILOBED HANDRAILS - 40 MM WIDTH

BACTERICIDAL JOINT



APPLICATIONS

The new Linea'Touch LED handrail is designed to help people move around safely in corridors and traffic areas. With a wood effect or satin silver anodised aluminium finish, the Linea'Touch LED handrails combine design, ergonomics and elegance. Thanks to its exclusive trilobed shape, developed with our partner architects and validated by ergonomists, Linea'Touch LED handrail provides an excellent handgrip and now offers a user guiding system thanks to integrated lighting. Ideal in hospitals, clinics, retirement homes, disability centers, performance venues, hotels, offices, etc., the LED handrail provides comfort and safety for your users and staff, along with design and aesthetics for your establishment. With Linea'Touch LED, create your customised ambiance, for each area, department or floor.

The Linea'Touch LED handrail operates with a 24 VDC 60 W dimmable power supply box for a maximum handrail length of 8 meters. The internal/external angle pieces have an integrated power cable for connection with the LED bands. The power supply can be placed in a false ceiling or electrical cabinet for easier maintenance (intervention by an electrician is recommended). A switch, programmer or proximity sensor can be associated with the handrail.

Refer to the Installation Procedures.

It is fitted with bactericidal joints (refer to page 102).

DESCRIPTION

- Model: Linea'Touch LED – Decowood or Linea'Touch LED – Anodised - trilobed handrail
- Cross section: height 42 mm x width 40 mm
- Length:
 - Handrail: 4 m
 - LED band: 5 m (cuttable)
 - Coloured filter: 1 m
- Overall Projection: 80 mm
- Stand-off from wall: 40 mm
- Material: 10 micron satin silver anodised aluminium or wood effect PVC, bactericidal joint
- Fixing: on bugled and quick removable 2-point self-locking aluminium brackets, silver anodised effect, screwed to the wall every 1.20 m (0.80 m centres in heavy traffic areas and on light partitions like plasterboard.)
- Colours:
 - 6 wood decors for Linea'Touch LED - Decowood
 - Satin silver anodised for Linea'Touch LED - Anodised
 - 5 for the optional coloured filter

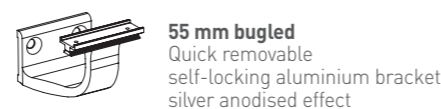
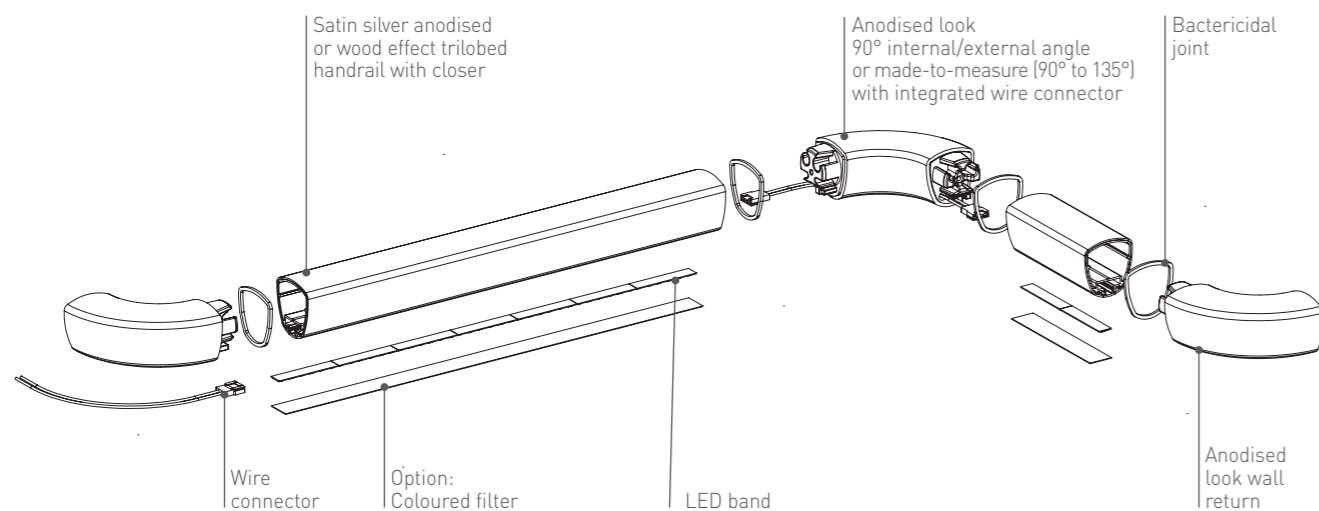
SPECIFICATION

Package: Carpentry/Joinery

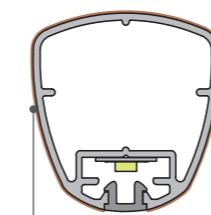
- Description: trilobed wood effect or satin silver anodised aluminium handrail with lighting LED system (Linea'Touch LED - Decowood or Linea'Touch LED Anodised as manufactured by SPM) with a cross section from 28 to 40 mm to give it an ergonomic and anti-rotation design. It is 42 mm high, 40 mm width and projects 80 mm from the wall. It consists of a 2 mm thick aluminium profile covered with a wood decor PVC film (Decowood) or 10 micron satin silver anodised (Anodised), a wire connector, a LED band of 5 meters which can be cut every 50 mm, and a closer underneath. The section comprises a groove into which brackets and closer slide and lock. A colour filter (colour selected by architects from manufacturer's standard range) can be inserted between the LED band and the closer. Wall fixing is by quick removable silver anodised effect aluminium bugled brackets with 2-point self-locking, 55 mm wide. The axial position of the brackets provides an excellent guiding. Various smooth and antibacterial PVC accessories, achieving Bs2d0 reaction to fire classification with solid colour, (classic wall returns, 90° internal/external angles or made-to-measure from 90° to 135°), supplied with bactericidal joints, are available in anodised look to finish the handrail assembly and are sleeved into profile with clamping screws. Technical solutions are available to ensure continuity around corners (90° or made-to-measure with integrated wire connector). In staircases (3-way "universal joint" rotation angle - RapidAngle® as manufactured by SPM) and across service ducts (Quick-removable assembly wedge) continuity is ensured without LED system. This handrail achieves an impact resistance in excess of 70 Joules -i.e. an impact of more than 220 kg travelling at 2 km/h.
- Norms: CE compliant with European Directives, Class III (LED only).
- Environment:
 - Electrical components (LED bands and cables): compliant with RoHS Directive.
 - Handrail and accessories: no heavy metals and no substance potentially subjected to any REACH restriction are used in its manufacture, nor PBT/BPA. The calcium-zinc thermal stabilisation process is used. The emission level of volatile substance in inside air has been tested according to ISO 16000-6 and is very low (A+) according to the French regulation (23 March 2011 nr 2011-321 Decree and 19 April 2011 Order). 100% of the product are recyclable.
- Colour: selected by architects from manufacturer's standard range.
- Installation method: upper edge of section 0.90 m max. above floor level. Fixes to 2-point quick removable assembly self-locking 55 mm bugled bracket in aluminium screwed to the wall every 0.80 m to 1.20 m centres (0.80 m centres in heavy traffic corridors and on light partitions like plasterboard). Wall returns and angles to be fixed with 2.5 mm Allen clamping screws. Operates with a dimmable 24 VDC constant voltage power supply box with sufficient power for a LED band of 12W/m (dimmable driver 24 VDC 60W as supplied by SPM). The power supply and the electrical connection belong to the Electrical installation package.

Package: Electrical installation

- The trilobed handrail with lighting LED system (Linea'Touch LED – Decowood or Anodised as manufactured by SPM), operates with a dimmable 24 VDC constant voltage power supply box with sufficient power for a LED band of 12W/m (dimmable driver 24 VDC 60W as supplied by SPM) which gets the following characteristics:
 - Output voltage Uout: 24 VDC
 - Max power: 60 W
 - Maximum length: 8 m
 - Graduation technology: 0-10 V PWM Resistance
 - Dimensions: 150 x 53 x 35 mm
- The power supply and the electrical connection belong to the Electrical installation package.

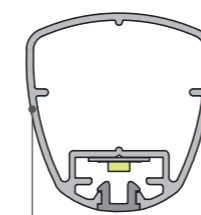


LINEA'TOUCH DECOWOOD

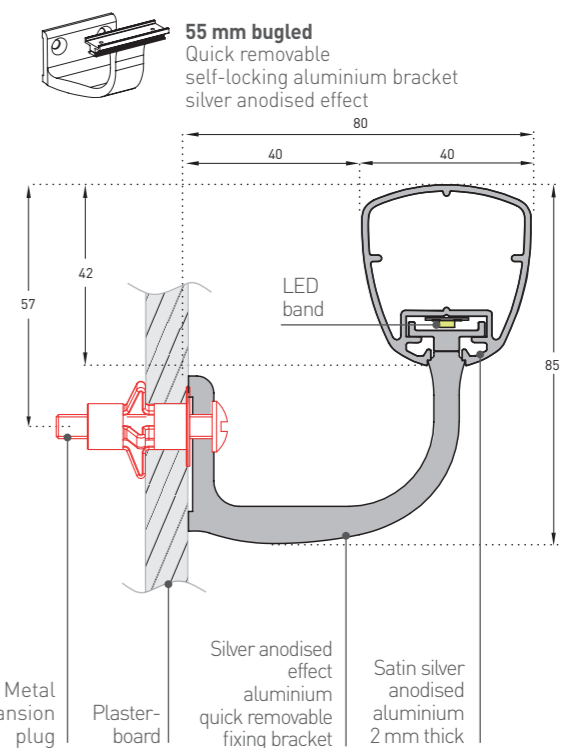


Wood decor

LINEA'TOUCH ANODISED



Satin silver anodised aluminium



Specifications and section drawings on our website www.spm-international.com

bimobject BimObject in Revit and Archicad



VIRUCIDAL*
99.96%

*virucidal activity against human coronavirus HCoV-229E according to ISO 21702. On our PVC handrails, 99.96% of the virus eliminated after two hours



Escort - PVC Sheathed | 39 colours



Colours on order

Colours available per product: please see the colour summary hinge



ESCORT - PVC SHEATHED ROUND HANDRAIL - DIAMETER 40 MM

BACTERICIDAL JOINT



APPLICATIONS

Escort is designed to provide a high quality grip and classic look. Highly appreciated by mobility-impaired persons for its perfect roundness and pleasant feel.

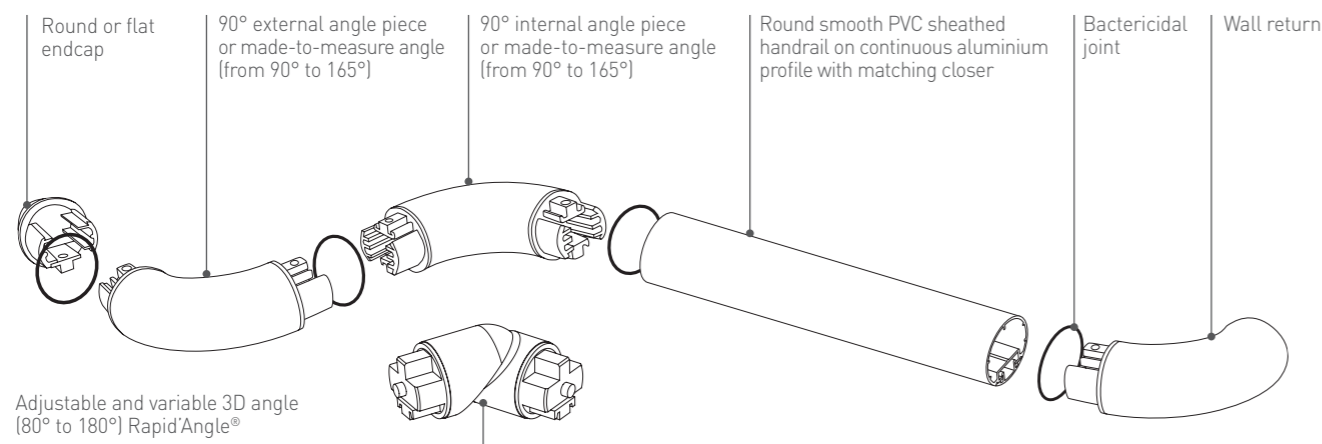
Escort is ideal for all corridors and stairways in retirement homes, hospitals, clinics, rehabilitation centres, collective housing.

Escort can be bent for curved sections and a removeable system is available to provide continuation of the handrail in front of service ducts.

It is fitted with bactericidal joints (refer to page 102).

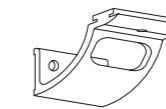
SPECIFICATION

- Description: round handrail with PVC sheath (Escort - PVC sheathed as manufactured by SPM) with a diameter of 40 mm. It consists of a 1.5 mm thick continuous aluminium profile covered by a 1.5 mm thick smooth and antibacterial PVC sheath achieving Bs2d0 reaction to fire classification with solid colour and a matching closer underneath. A protective film is specified to minimise cleaning before acceptance. The section comprises a groove into which brackets and matching closer slide and lock. Wall fixing is by 40 mm deep satin silver anodised aluminium brackets with 2-point self-locking: curved and perforated (80 mm wide), curved and full (60 mm wide) or bugled (55 mm wide). Wall fixing is also available by swan-neck with 70 mm rose brackets, in brushed stainless steel, 3 point self-locking. Overall projection is 80 mm (or 90 mm on request). Various smooth and antibacterial PVC accessories with solid colour (round or flat endcaps, external and internal 90° angle pieces or made-to-measure from 90 to 165°, wall returns), supplied with bactericidal joints, are available to finish the handrail assembly and are sleeved into the profile with clamping screws. Technical solutions are available to ensure continuity around corners (90° or made-to-measure), in staircases (slope link or 3-way "universal joint" rotation angle -Rapid'Angle® as manufactured by SPM-), across service ducts (quick removable assembly wedge or articulated link -Rapid'Access® as manufactured by SPM-) and around curved sections (pre-curved in the factory).
- Environment: no heavy metals and no substance potentially subjected to any REACH restriction are used in its manufacture, nor PBT/BPA. The calcium-zinc thermal stabilisation process is used. The emission level of volatile substance in inside air has been tested according to ISO 16000-6 and is very low (A+) according to the French regulation (23 March 2011 nr 2011-321 Decree and 19 April 2011 Order). 100% of the product are recyclable.
- Colour: selected by architects from manufacturer's standard range.
- Installation method: upper edge of section 0.90 m max. above floor level. Fixes to 2-point or 3-point self-locking brackets, depending on the model, screwed to the wall at 1.20 m centres (0.80 m centres in heavy traffic corridors and on light partitions like plasterboard). Wall returns, endcaps and angles to be fixed with 2.5 mm Allen clamping screws.

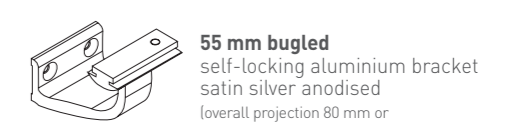
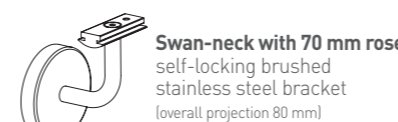
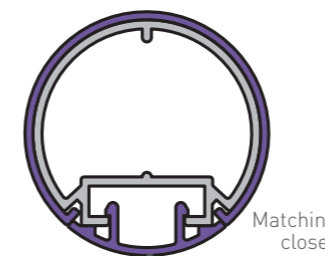
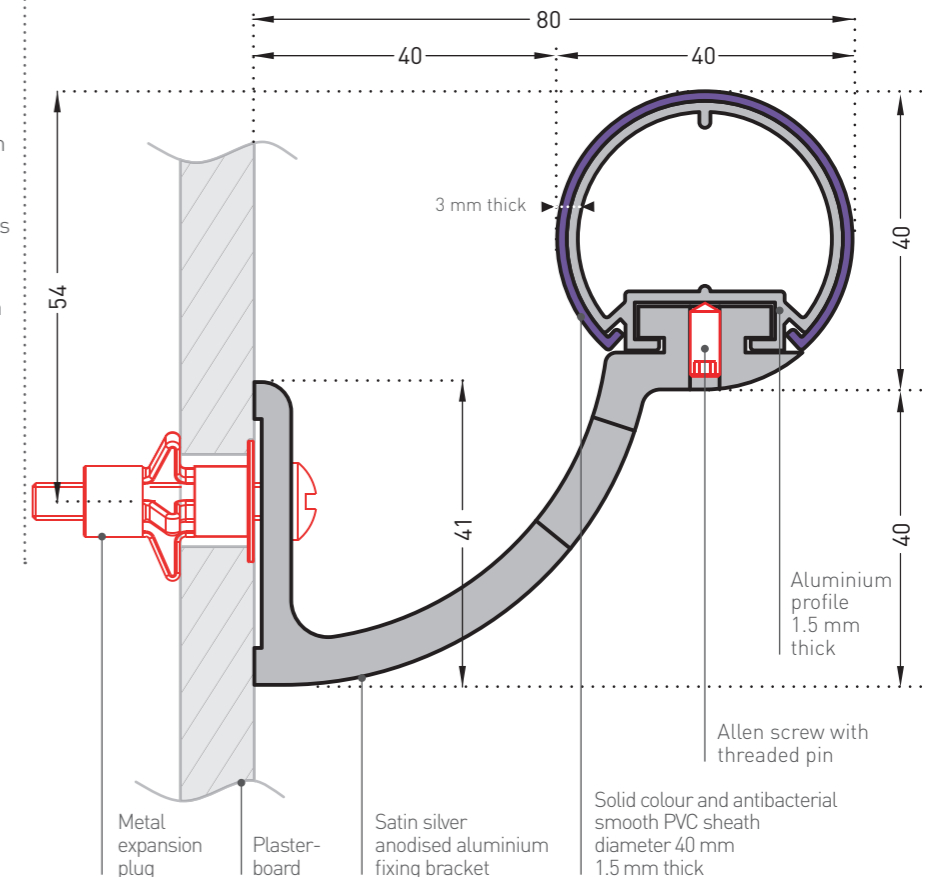


DESCRIPTION

- Model: Escort - PVC sheathed - round handrail
- Diameter: 40 mm
- Length: 4 m
- Overall projection: 80 mm (or 90 mm on request)
- Stand-off from wall: 40 mm (or 50 mm on request)
- Material: antibacterial and Bs2d0 fire-rated PVC, solid colour, on continuous aluminium profile, bactericidal joint
- Fixing: on self-locking brackets
 - perforated, bugled or full, 2-point fixing in satin silver anodised aluminium
 - swan-neck with 70 mm rose, 3 point fixing in brushed stainless steel screwed to wall at 1.20 m centres (0.80 m centres in heavy traffic areas and on light partitions like plasterboard)
- Colours: 39
 - 28 in stock
 - 11 on order

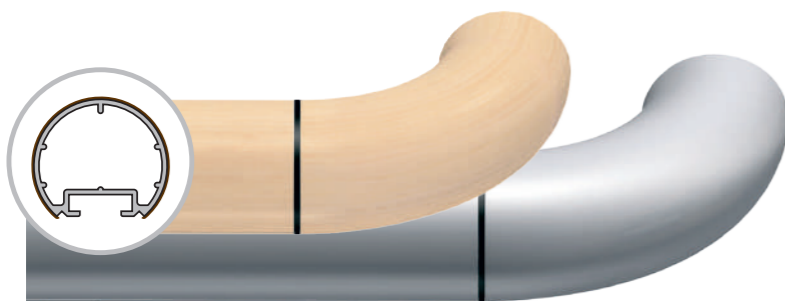


80 mm perforated self-locking aluminium bracket satin silver anodised (overall projection 80 mm)



Specifications and section drawings on our website www.spm-international.com
BimObject in Revit and Archicad





ESCORT - DECOWOOD & ANODISED ROUND HANDRAILS - DIAMETER 40 MM

BACTERICIDAL JOINT

Colours available per product: please see the colour summary hinge



APPLICATIONS

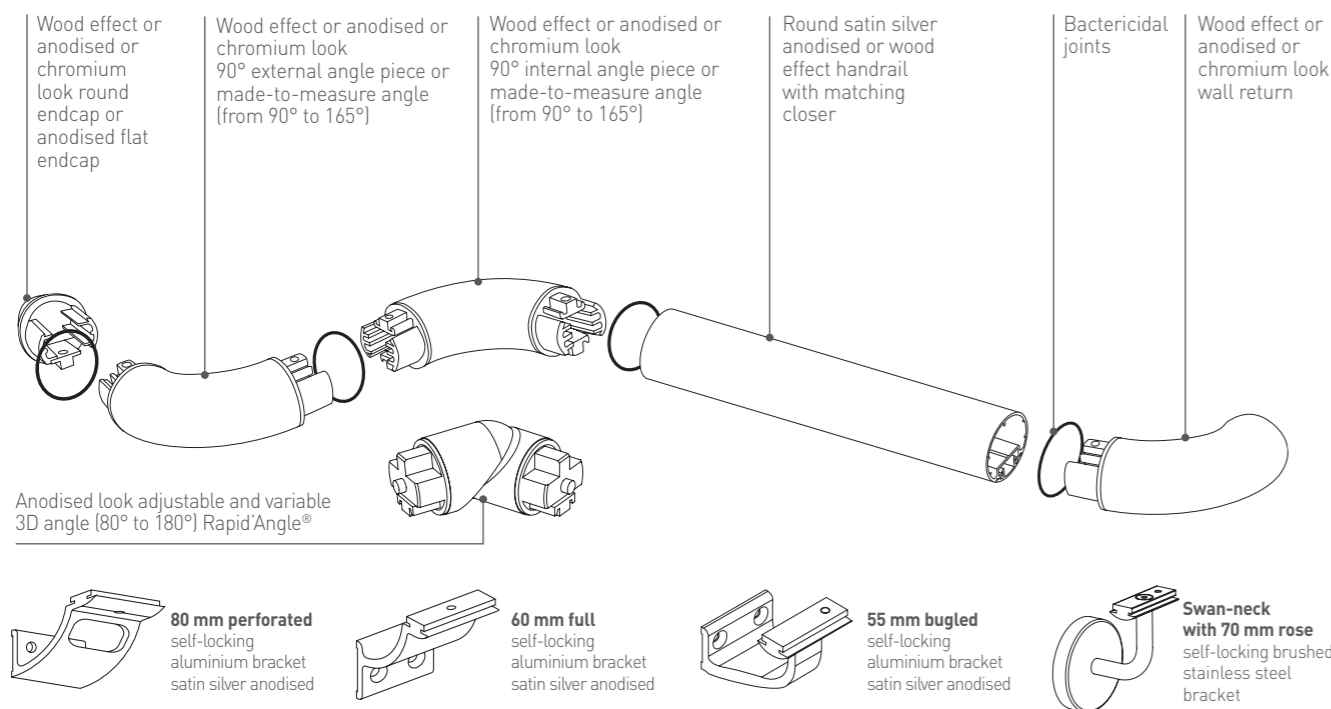
Particularly elegant handrails with a wood effect or satin silver anodised aluminium finish and curved, unobtrusive brackets. They are ideal for all buildings open to the public: corridors and stairways in retirement homes, schools, hotels, residential apartment buildings, offices, etc.

Escort can be bent for curved sections. A removeable system is available to provide continuation of the handrail in front of service ducts.

They are fitted with bactericidal joints (refer to page 102).

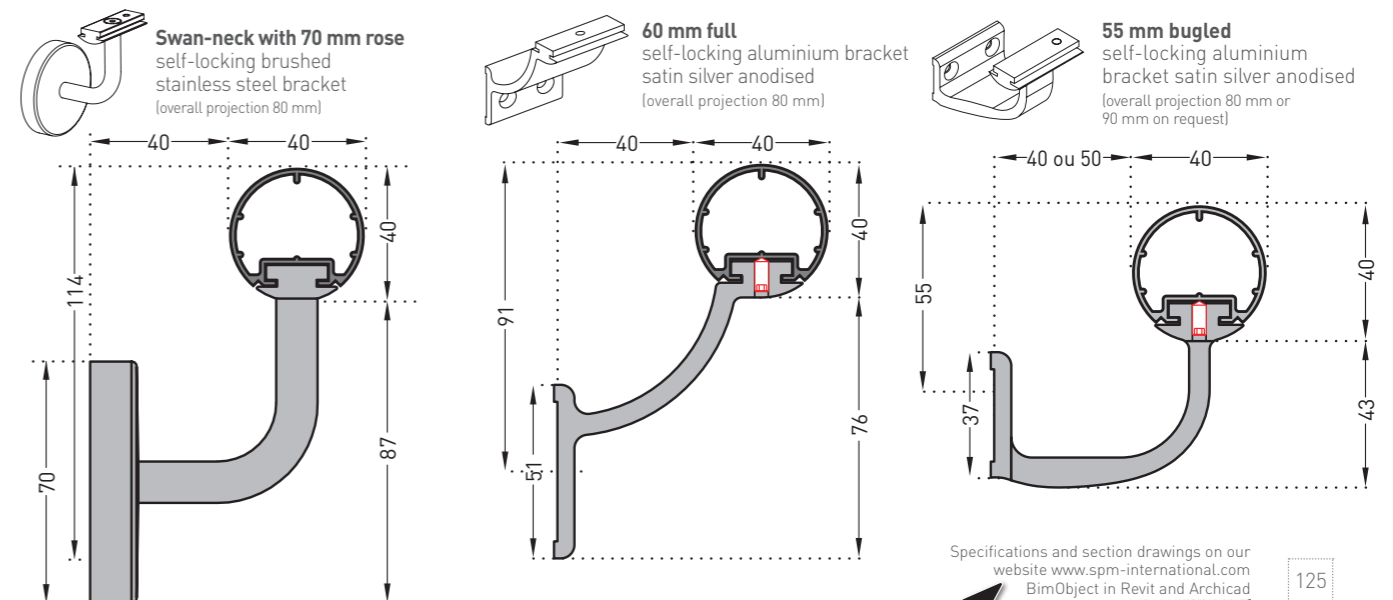
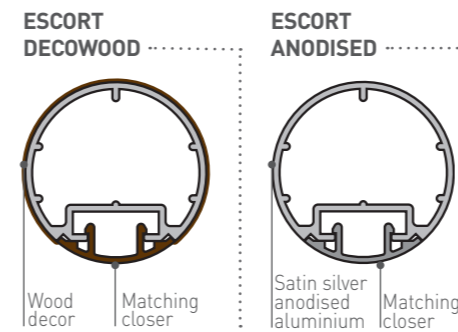
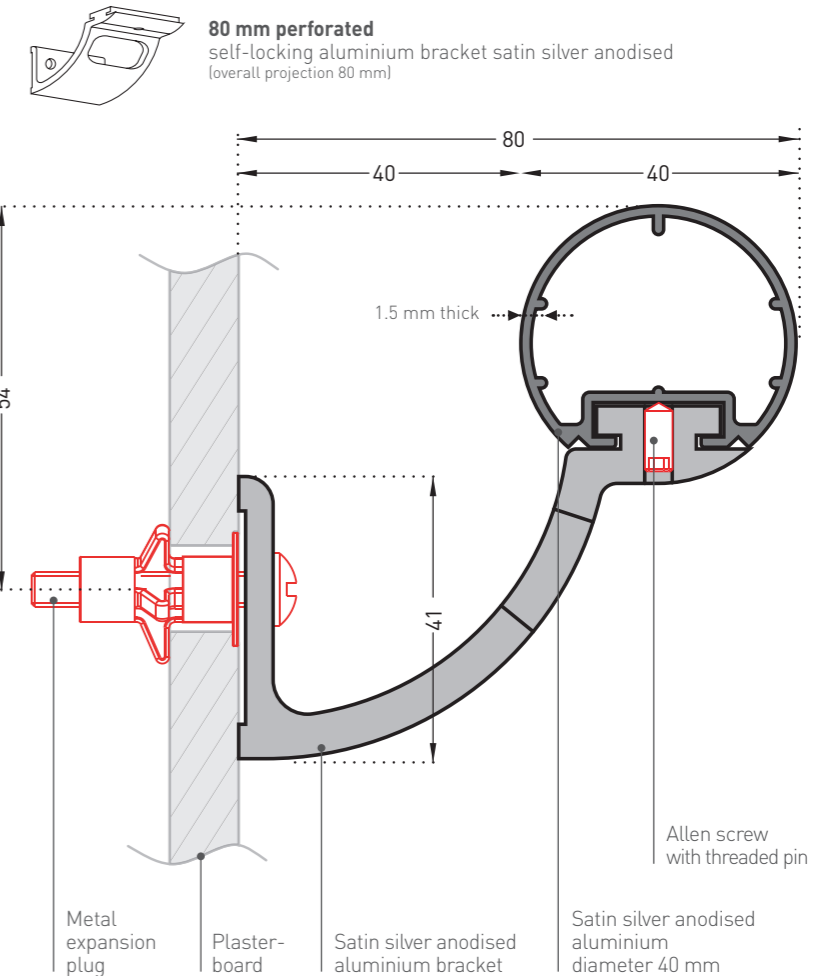
SPECIFICATION

- Description: round wood effect handrail (Escort - Decowood as manufactured by SPM) or satin silver anodised aluminium (Escort - Anodised as manufactured by SPM) with a diameter of 40 mm. Overall projection is 80 mm (or 90 mm on request). It consists of a 1.5 mm thick continuous aluminium profile covered with a wood decor PVC film (Decowood) or 10 micron satin silver anodised (Anodised) and a matching closer underneath. The section comprises a groove into which brackets and matching closer slide and lock. Wall fixing is by 40 mm deep satin silver anodised aluminium brackets curved and perforated (80 mm wide), curved and full (60 mm wide) or bugled (55 mm wide). Wall fixing is also available by swan-neck with 70 mm rose brackets, in brushed stainless steel, 3 point self-locking. Various smooth and antibacterial PVC accessories (round or flat endcaps, external and internal 90° angle pieces or made-to-measure from 90 to 165°, wall returns), supplied with bactericidal joints, are available in wood effect or anodised look or chromium look to finish the handrail assembly and are sleeved into the profile. All technical solutions are available to ensure continuity around corners (90° or made-to-measure), in staircases (slope link or 3-way "universal joint" rotation angle -Rapid'Angle® as manufactured by SPM-), across service ducts (quick removable assembly wedge or articulated link -Rapid'Access® as manufactured by SPM-) and around curved sections (pre-curved in the factory).
- Environment: no heavy metals and no substance potentially subjected to any REACH restriction are used in its manufacture, nor PBT/BPA. The calcium-zinc thermal stabilisation process is used. The emission level of volatile substance in inside air has been tested according to ISO 16000-6 and is very low (A+) according to the French regulation (23 March 2011 nr 2011-321 Decree and 19 April 2011 Order). 100% of the product are recyclable.
- Colour: selected by architects from manufacturer's standard range.
- Installation method: upper edge of section 0.90 m max. above floor level. Fixes to 2-point or 3-point self-locking brackets, depending on the model, screwed to the wall at 1.20 m centres (0.80 m centres in heavy traffic corridors and on light partitions like plasterboard). Wall returns, endcaps and angles to be fixed with 2.5 mm Allen clamping screws.



DESCRIPTION

- Model: Escort - Decowood or Escort - Anodised round handrail
- Diameter: 40 mm
- Length: 4 m
- Overall projection: 80 mm (or 90 mm on request)
- Stand-off from wall: 40 mm (or 50 mm on request)
- Material: 10 micron satin silver anodised aluminium or wood effect PVC, bactericidal joint
- Fixing: on self-locking brackets
 - perforated, bugled or full, 2-point fixing in satin silver anodised aluminium
 - swan-neck with 70 mm rose, 3 point fixing in brushed stainless steel screwed to wall at 1.20 m centres (0.80 m centres in heavy traffic areas and on light partitions like plasterboard)
- Colours:
 - 6 wood decors for Escort - Decowood
 - satin silver anodised for Escort - Anodised
 - coating on request

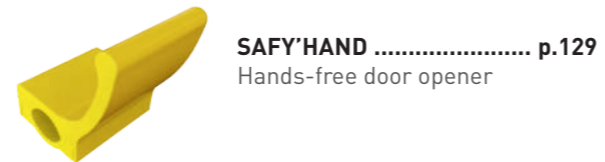
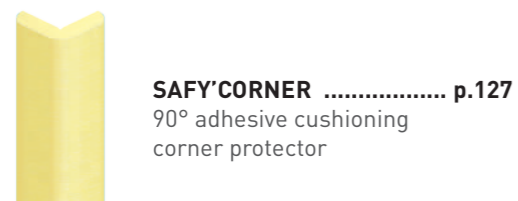


Specifications and section drawings on our website www.spm-international.com
BimObject in Revit and Archicad

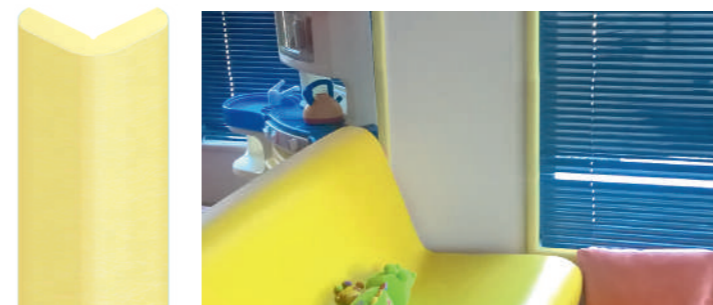


SPECIFIC PROTECTION

INDIVIDUAL PROTECTION



	CODE	DESCRIPTION	MATERIAL	COLOUR RANGE
SAFY'CORNER		90° adhesive cushioning corner protector	Elastomer	4 colours
SAFY'DOOR	-	Door finger protection system	Elastomer	4 colours
SAFY'HAND	-	Hands-free door opener	Coated aluminium	1 colour



Colours available per product: please see the colour summary hinge

SAFY'CORNER

90° ADHESIVE CUSHIONING CORNER PROTECTOR



APPLICATIONS

The Safy'Corner cushioning corner protector is designed to protect persons from impacts against a protruding corner. Made from a flexible elastomer, it has a high impact absorption capacity and minimises the risk of injury. It has two strips of double-sided adhesive tape and a protective film for ease of installation and cleaning.

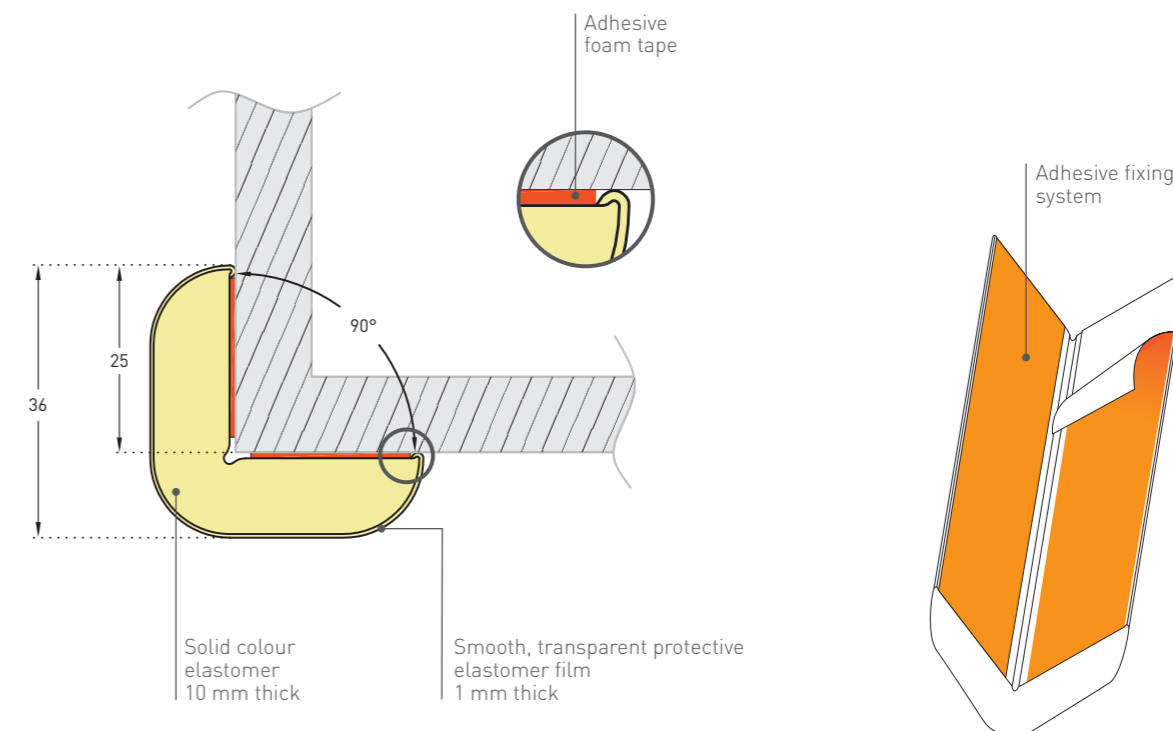
Ideal for childcare settings, retirement homes, specialist institutions, gyms and sports halls.

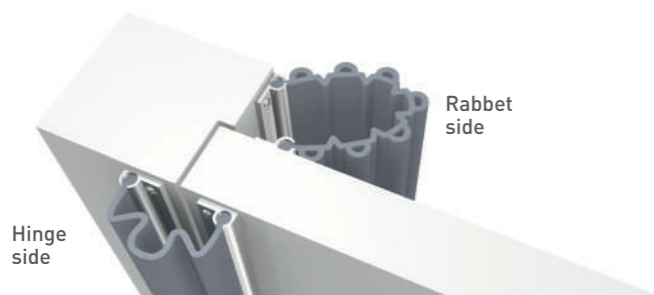
DESCRIPTION

- Model: Safy'Corner adhesive cushioning corner protector
- Angle: 90°
- Wing width: 25 mm (internal measurement)
- Thickness: 11 mm
- Length: 1.30 m
- Material: solid colour elastomer
- Surface finish: smooth
- Fixing: adhesive foam tapes
- Colours: 4

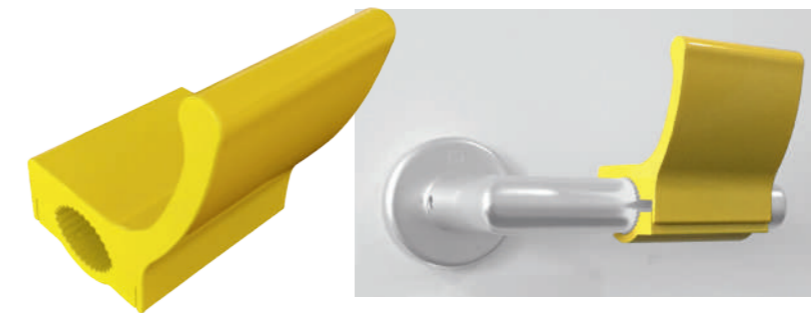
SPECIFICATION

- Description: 25 mm wide wings (internal measurement) 90° adhesive cushioning corner protector (Safy'Corner as manufactured by SPM) comprising a 10 mm thick smooth and flexible elastomer section with solid colour, covered with a 1 mm thick transparent protective film to reduce cleaning throughout its service life. It is provided with 2 strips of adhesive foam tape for fixing. It has an impact absorption capacity of 38%, thus minimising the risk of injury.
- Environment: no heavy metals are used in its formulation, nor PBT/BPA. 100% of the product are recyclable.
- Colour: selected by architects from manufacturer's standard range.
- Installation method: adhesive.





Safy'Door | 4 colours



Safy'Hand | 1 colour



SAFY'DOOR

DOOR FINGER PROTECTION SYSTEM

Colours available per product: please see the colour summary hinge



APPLICATIONS

The door finger protection system Safy'Door is the ideal solution for making both single and swing doors safe.

The special shape of the strong, flexible bellows prevents fingers from getting into door rabbets.

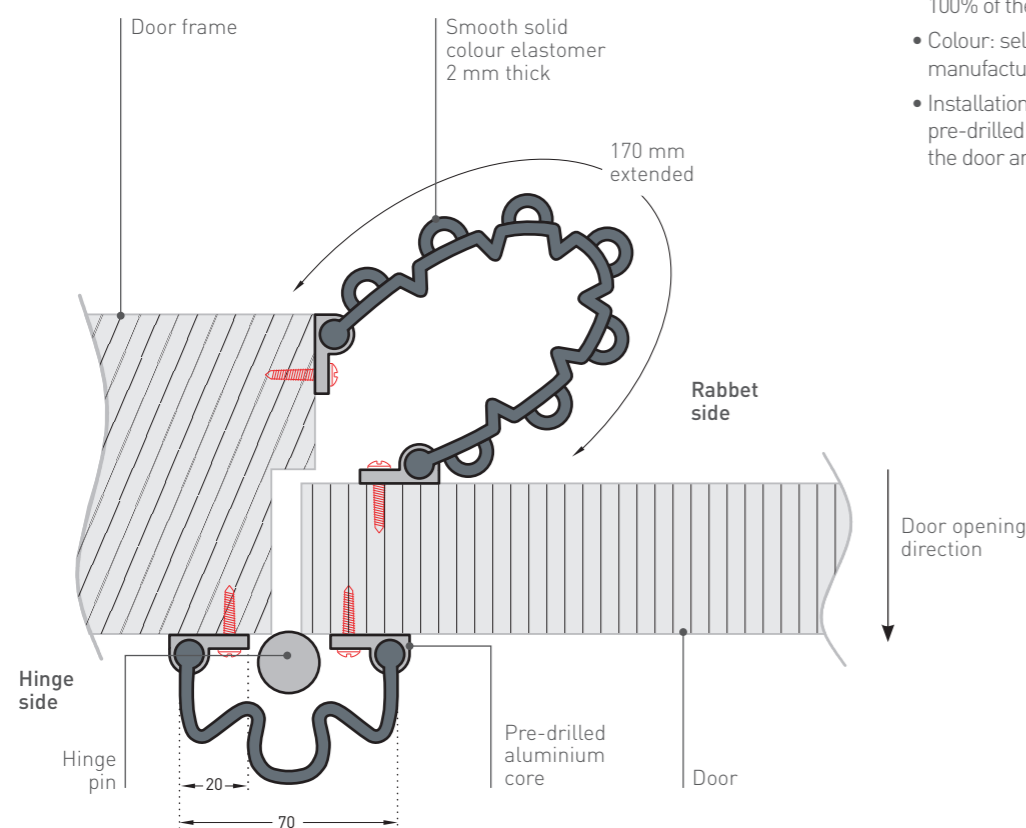
The door finger protection system Safy'Door improves safety in locations frequented by young children as well as in workplaces, preventing a major cause of accidents and protecting staff from often serious after-effects.

DESCRIPTION

- Model: Safy'Door door finger protection system
- Height: 1.40 m
- Width: 170 mm (rabbet side) and 70 mm (hinge side)
- Material: 2 mm thick solid colour elastomer
- Surface finish: smooth
- Fixing: on pre-drilled aluminium cores
- Colours: 4

SPECIFICATION

- Description: door finger protection system (Safy'Door as manufactured by SPM) to prevent fingers being trapped when opening and closing doors, comprising two solid colour, flexible elastomer sections 1.40 m in height, that slot into two pre-drilled aluminium cores. The 7-bellows section is used on the inside door jamb (rabbet side) and can cover a 150-mm gap, with the bellows providing additional extension up to 190 mm. The 3-bellows section is used on the outside door jamb (hinge side) and is designed to move with the door, compressing on opening by 20 to 80 mm.
- Environment: no heavy metals are used in its formulation, nor PBT/BPA. 100% of the product are recyclable.
- Colour: selected by architects from manufacturer's standard range.
- Installation method: snap-fixes onto pre-drilled aluminium cores screwed to the door and frame.



SAFY'HAND

HANDS-FREE DOOR OPENER



APPLICATIONS

Safy'Hand hands-free door opener is the hygienic solution to limit the spread of viruses and the risks of manual contamination. It allows to open and close the doors without hands contact, with the elbow or the forearm.

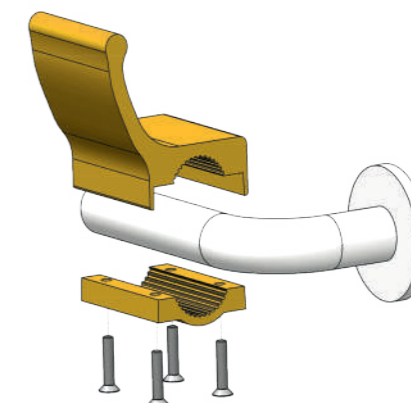
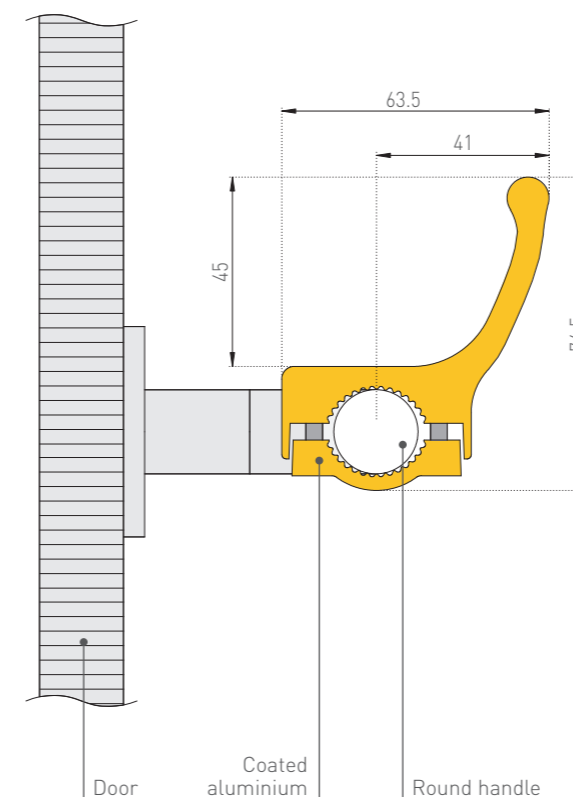
Ideal for healthcare establishments, schools and nurseries, Safy'Hand is quick and easy to install. It adapts to the (round) existing door handle and its yellow coated surface will facilitate cleaning and disinfection.

DESCRIPTION

- Model: Safy'Hand hands-free door opener, for round door handle
- Height: 45 mm
- Width: 55 mm
- Depth: 63.5 mm
- Diameter: from 17 to 24 mm
- Material: coated aluminium
- Fixing: with four hexagon counter-sunk head screws, 2.5 mm Allen end (supplied)
- Colour: yellow

INSTALLATION PROCEDURE

- Quick and easy installation:
1. Unscrew the four Hex screws using a 2.5 mm Allen key
 2. Insert on the round handle and position Safy'Hand system
 3. Screw the four Hex screws to hold Safy'Hand system



SPECIFIC PROTECTION

SPECIFIC PROTECTION

INDUSTRIAL PROTECTION



ELASTO'FLEX 100V p.131
Variable angle corner protector



ELASTO'PUNCH 200E p.132
Wall protection rail
Height 200 mm



ELASTO'PUNCH 100D p.133
Wall protection rail
Height 100 mm



	CODE	DESCRIPTION	MATERIAL	COLOUR RANGE
ELASTO'FLEX 100V		Variable angle corner protector	Thermoplastic elastomer	1 colour
ELASTO'PUNCH 200E		Wall protection rail	Thermoplastic elastomer	1 colour
ELASTO'PUNCH 100D		Wall protection rail	Thermoplastic elastomer	1 colour



Elasto'Flex 100V | 1 colour

Black

ELASTO'FLEX 100V VARIABLE ANGLE CORNER PROTECTOR



APPLICATIONS

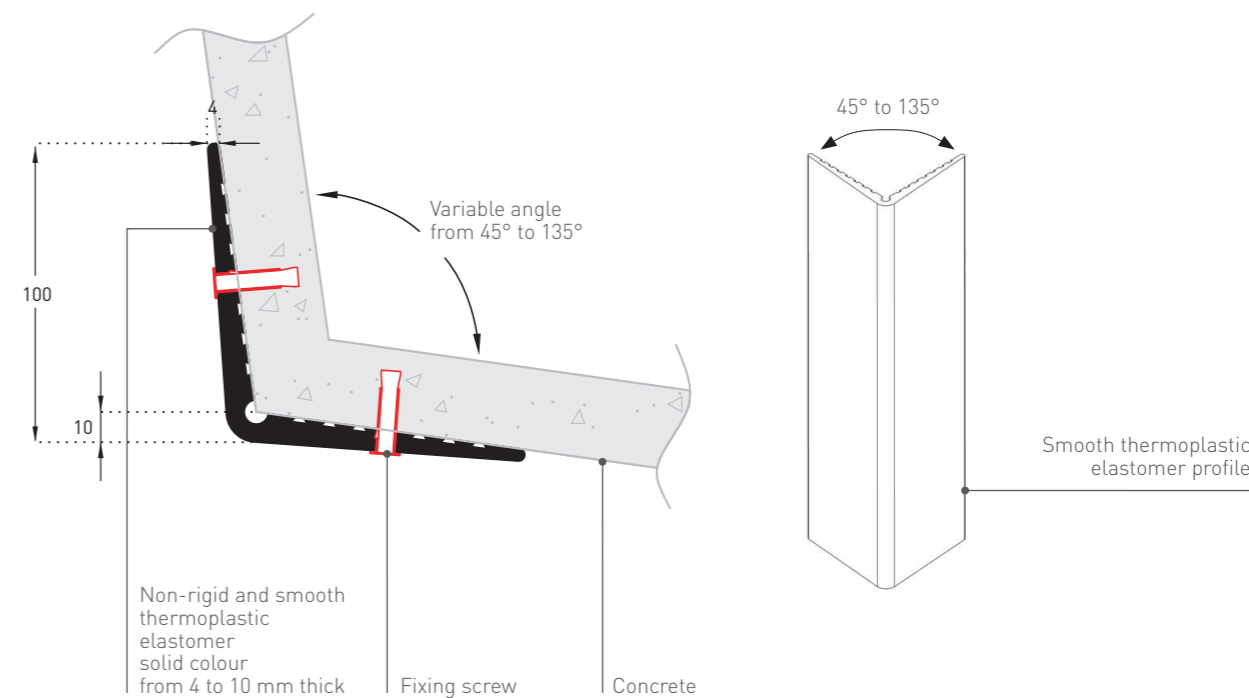
The Elasto'Flex 100V corner protector is a highly resistant protection for the 45° to 135° corners of your industrial buildings. It blends in perfectly with all types of areas subject to severe impacts, and its black elastomer material enables it to be used both indoor and outdoor.

DESCRIPTION

- Model: Elasto'Flex 100V variable angle corner protector
- Angle: from 45 to 135°
- Wing width: 100 mm
- Thickness: from 4 mm (end) to 10 mm (corner)
- Length: 3 m
- Material: non-rigid thermoplastic elastomer, solid colour
- Surface finish: smooth
- Fixing: by screwing
- Colour: black

SPECIFICATION

- Description: variable angle corner protector (from 45° to 135°) in non-rigid and smooth thermoplastic elastomer, 100 mm wing width (external measurement) / 90 mm wing width (internal measurement) (Elasto'Flex 100V as manufactured by SPM) comprising a profile, from 4 mm (end) to 10 mm (corner), solid colour, giving it excellent impact-resistance properties and good ageing and UV resistance.
- Environment: no heavy metals are used in its formulation, nor PBT/BPA. 100% of the product are recyclable.
- Colour: black.
- Installation method: by screwing.



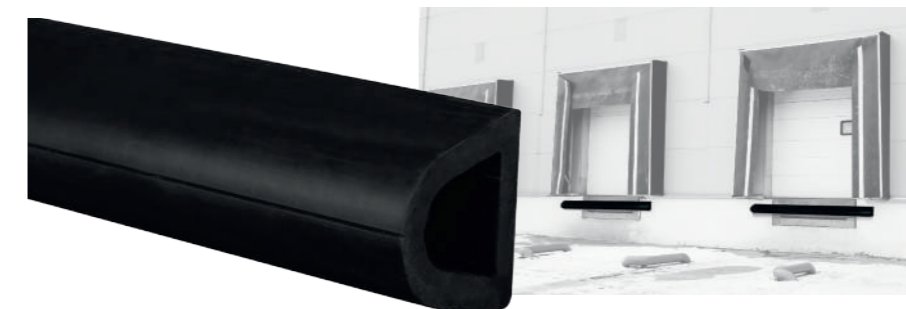
SPECIFIC PROTECTION





Elasto'Punch 200E | 1 colour

Black



Elasto'Punch 100D | 1 colour

Black

ELASTO'PUNCH 200E

WALL PROTECTION RAIL - 200 MM HIGH



APPLICATIONS

With its dense shape, the Elasto'Punch 200E protection rail provides effective protection for walls that are very exposed to side impacts and abrasion from guided trucks, in logistics corridors, storage areas and warehouses, car parks, etc.

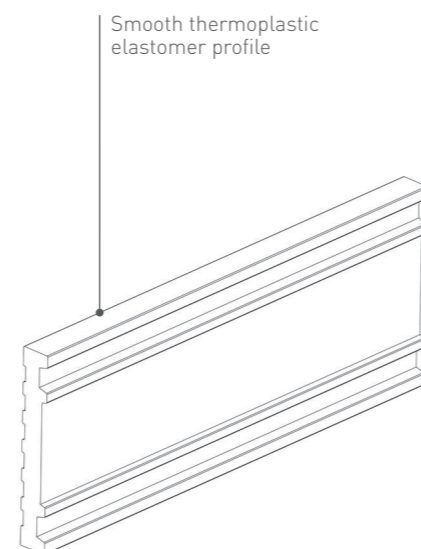
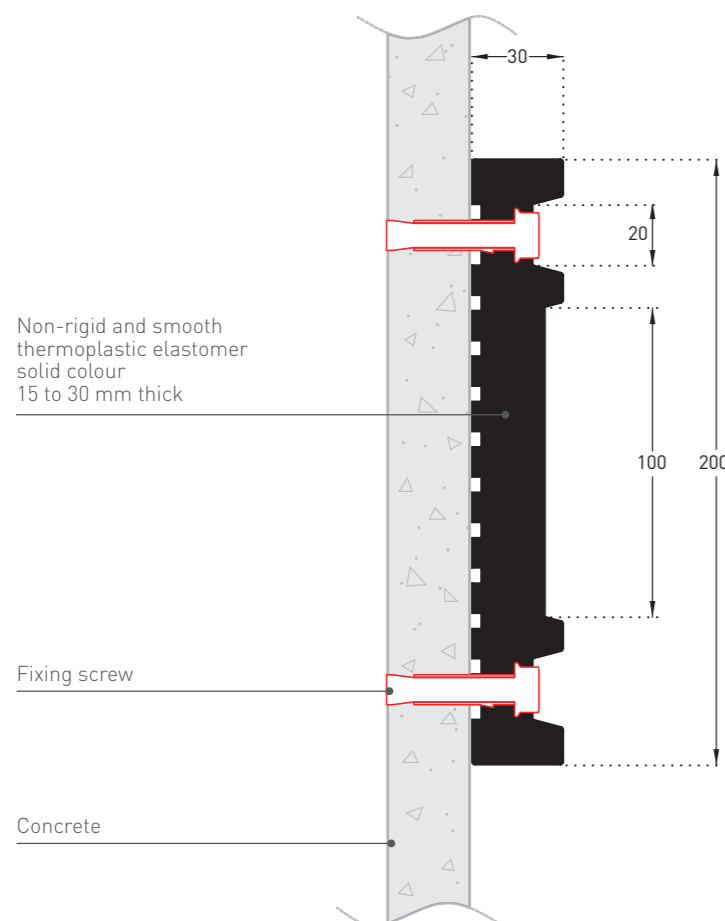
Its black elastomer material enables it to be used both indoor and outdoor.

DESCRIPTION

- Model: Elasto'Punch 200E protection rail
- Height: 200 mm
- Depth: 30 mm
- Length: 3 m
- Material: non-rigid thermoplastic elastomer, 15 to 30 mm thick, solid colour
- Surface finish: smooth
- Fixing: by screwing
- Colour: black

SPECIFICATION

- Description: E-shaped flat protection rail in non-rigid and smooth thermoplastic elastomer (Elasto'Punch 200E as manufactured by SPM) comprising a 200 mm height profile, 15 to 30 mm thick, solid colour, giving it excellent impact-resistance properties and good ageing and UV resistance.
- Environment: no heavy metals are used in its formulation, nor PBT/BPA. 100% of the product are recyclable.
- Colour: black.
- Installation method: by screwing.



ELASTO'PUNCH 100D

WALL PROTECTION RAIL - 100 MM HIGH



APPLICATIONS

The Elasto'Punch 100D protection rail is designed to protect your industrial buildings. Its black elastomer material enables it to be used both indoor and outdoor.

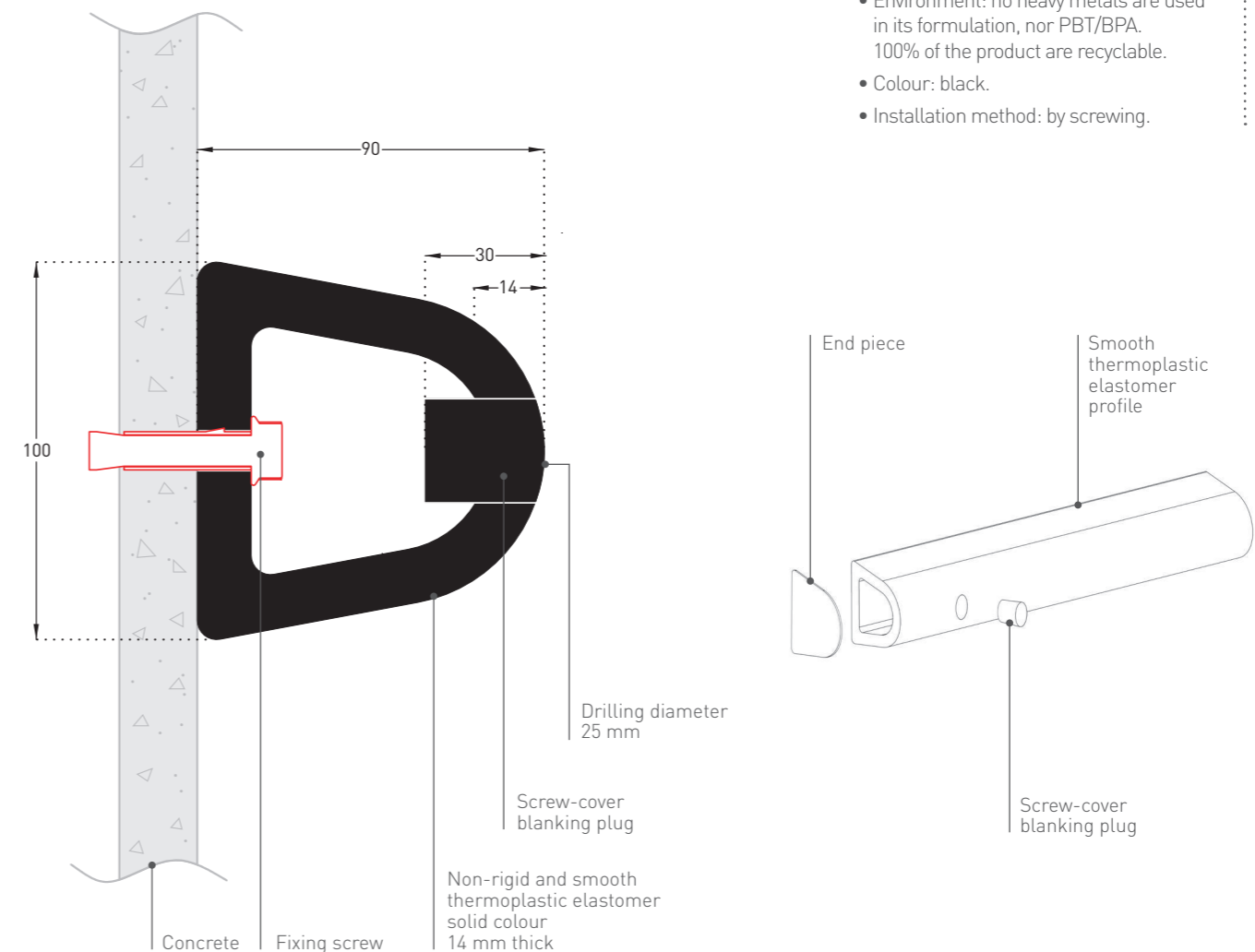
Ideally installed on loading docks, it will absorb impacts from heavy goods vehicles.

DESCRIPTION

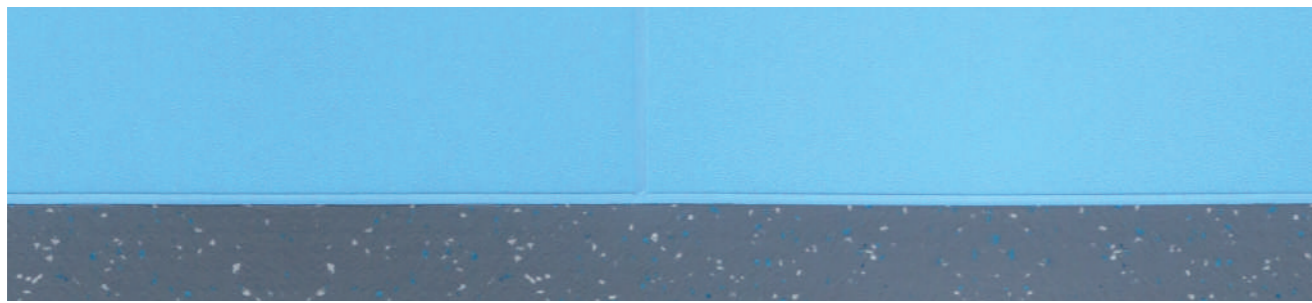
- Model: Elasto'Punch 100D protection rail
- Height: 100 mm
- Depth: 90 mm
- Length: 3 m
- Material: non-rigid thermoplastic elastomer, 14 mm thick, solid colour
- Surface finish: smooth
- Fixing: by screwing
- Colour: black

SPECIFICATION

- Description: D-shaped round protection rail in non-rigid and smooth thermoplastic elastomer (Elasto'Punch 100D as manufactured by SPM) comprising a 100 mm height profile, 90 mm deep, solid colour and 14 mm thick, giving it excellent impact-resistance properties and good ageing and UV resistance. Finish is provided by end pieces and screw-cover blanking plugs in smooth thermoplastic elastomer.
- Environment: no heavy metals are used in its formulation, nor PBT/BPA. 100% of the product are recyclable.
- Colour: black.
- Installation method: by screwing.



SPECIFIC PROTECTION



SOLUTIONS FOR PANELS

THERMOWELDING

HOT WELDED JOINTS

APPLICATIONS

SPM Decochoc, Decowood, Decotrend, Decoclean and Decochoc H₂O panels are made of antibacterial PVC. They are easy to clean and can be installed:

- from floor to ceiling with welded joints,
- in right or rounded angles, irrespective of the degrees or the radius,
- above the covings of PVC floor coverings.

For a reliable watertightness, SPM has a range of welding rods matched to the colours of SPM profiles, allowing you to thermoweld one panel to another.

SPM and GERFLOR also provide a global solution for absolute watertightness and reliable junction: hot welded joints between the coving of the floor covering and the wall panel.

This system is optimised to work with the exclusive GERFLOR Corner System, and is particularly recommended for operating rooms and other rooms requiring a high level of hygiene.

DESCRIPTION

- Model: SPM welding rod
- Diameter: 4 mm
- Length: 100 m roll
- Material: flexible PVC
- Fixing: hot welded with welding machine
- Colours:
 - 39 for Decochoc
 - 5 in stock and 5 on order for Decochoc H₂O

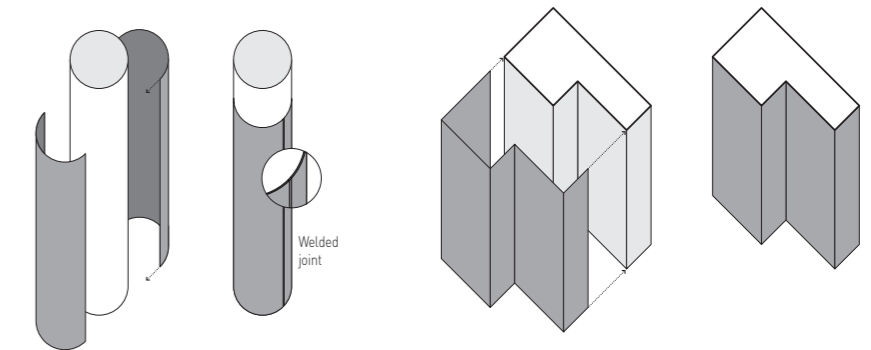
THERMOFORMING

PILLAR AND DOOR FRAME PROTECTION

WITH DECOCHOC, DECOWOOD AND DECOTREND PANELS

APPLICATIONS

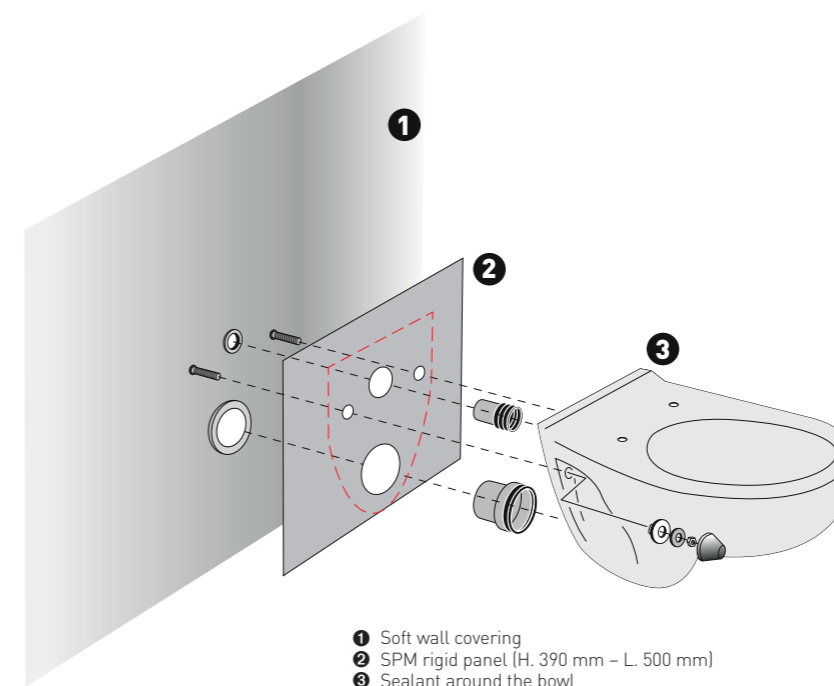
In order to adapt to all building layouts, Decochoc, Decowood and Decotrend panels can be thermoformed to cover round pillars (diameter less than 800 mm) and complex door frames that can not be protected with simple L or U bends.



DECOBOWL

REINFORCEMENT AND PROTECTION SOLUTION

FOR FIXING WALL HUNG TOILET BOWL ON SOFT WALL COVERING



- 1 Soft wall covering
- 2 SPM rigid panel (H. 390 mm – L. 500 mm)
- 3 Sealant around the bowl

APPLICATIONS

For a wall hung toilet bowl, without specific reinforcement, there may be a risk of blistering on the wall covering at the junction between the bowl and the support plasterboard due to the tightening of the fasteners and the repeated sagging. The interposition of a SPM rigid panel, Decochoc, Decoclean, Decowood or Decotrend, is a solution of reinforcement of the rigidity of the plasterboard which can enable to reduce that risk.



SOLUTIONS FOR HANDRAILS

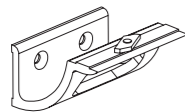
IN FRONT OF SERVICE DUCTS

APPLICATIONS

Quick-removable system (assembly wedges) designed to make easy access to service duct gates whilst providing continuation of the handrails and secure handgrip for people.

Available for Escort, Linea Touch and Starline handrails.

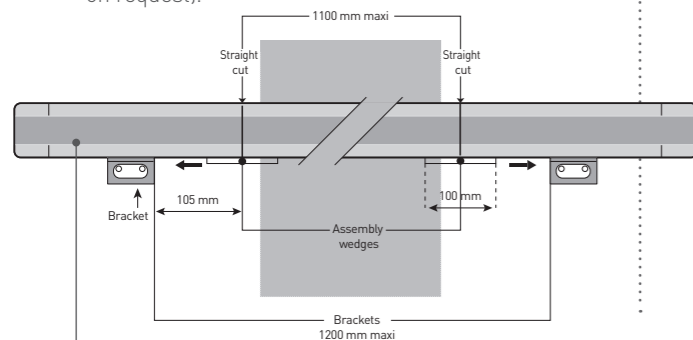
SERVICE DUCT GATES LONGER THAN 1100 MM



It is necessary to place a quick-removable bracket onto the service duct access gate.

STARLINE HANDRAIL

For Starline handrail, SPM can provide a ready-to-install kit (section up to 1100 mm ; other dimensions on request).

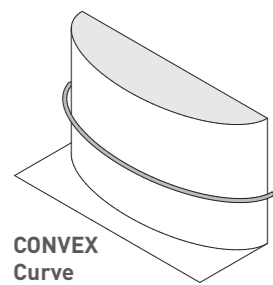


Section of Starline profile (up to 1100 mm), especially machined for service duct. (Other dimensions available on request)

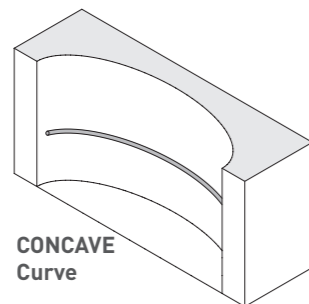
CURVING

APPLICATIONS

Curving of Starline, Linea Touch and Escort handrails to fit in different building layouts.



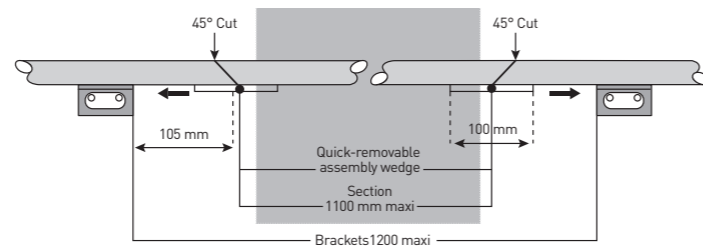
CONVEX Curve



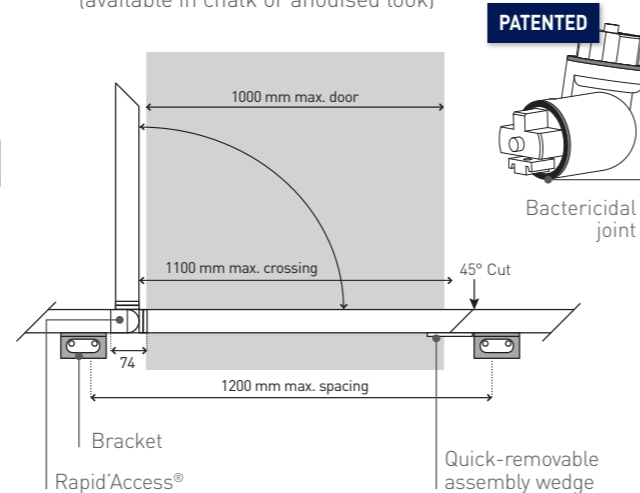
CONCAVE Curve

ESCORT AND LINEA TOUCH HANDRAILS

For Escort and Linea Touch handrails, the service duct kit is installed on site: by cutting the profile to the length of the access gate using two 45° cuts and two quick-removable assembly wedges.



For Escort handrail, Rapid'Access®, the articulated link has been especially designed for service duct, to complete with one quick-removable assembly wedge. (available in chalk or anodised look)



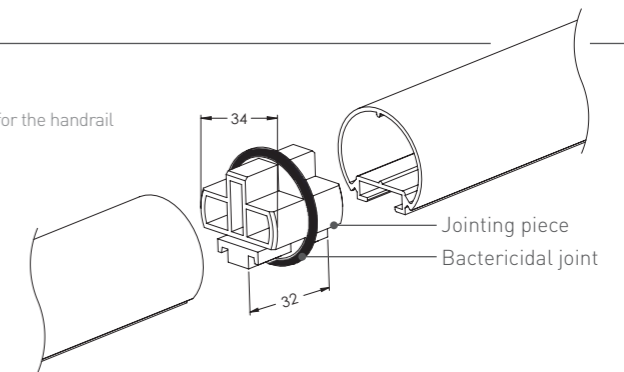
JOINTING ACCESSORY

APPLICATIONS

Aluminium jointing piece with bactericidal joint to bring perfectly into line and to hold tight between two straight lengths of Escort or Linea Touch handrails.

ESCORT

also available for the handrail Linea Touch.

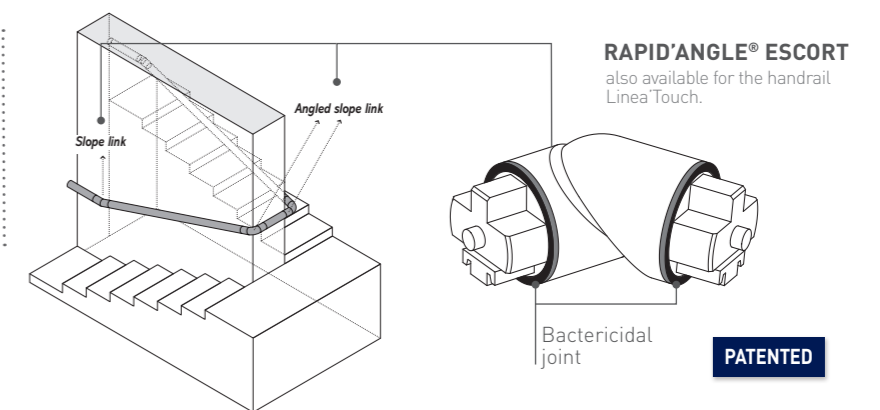


RAPID'ANGLE® FOR STAIRCASES AND FOR 80° TO 180° ANGLES

APPLICATIONS

SPM has developed Rapid'Angle® for Escort round handrail and for Linea Touch trilobed handrail especially designed:

- to fit in all staircase layouts with slope link and angled slope link: rotating 3D
- to fit all angles: modular from 80° to 180°

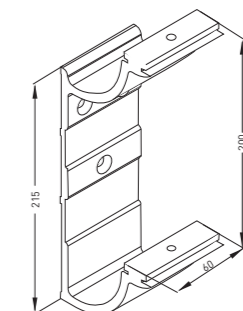


DUAL-HEIGHT SPECIAL "ACCESSIBILITY" BRACKET: ESCORT

APPLICATIONS

This dual-height bracket simplifies the installation of Escort handrails at two heights: one at the standard height and the other for children and/or those using wheelchairs. The height of the lower handrail has been specially designed to provide a comfortable aid to help such people to move around.

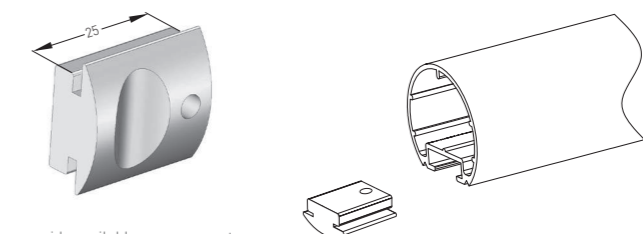
This accessory simplifies installation since only one set of horizontal marking outs is required for two levels of handrails.



TACTILE MARK: ESCORT

APPLICATIONS

Unique design for this assembly wedge of tactile mark to be fitted in under the Escort handrail to provide locating help to visually impaired persons. Repeated, it helps indicate the where on the floor we are.



To help with the installation of SPM handrails, consult the installation procedures guide available upon request.



TOOLS

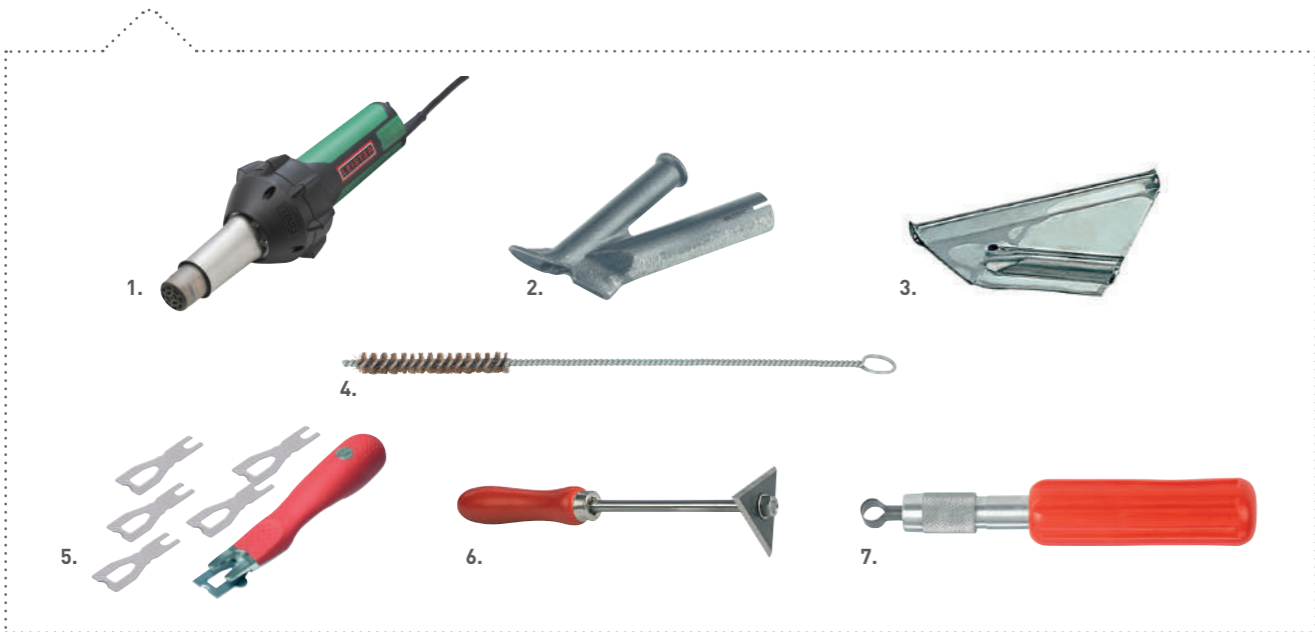
LEISTER WALL WELDING CASE

Professional welding case includes all the tools required to create perfect welding rods between SPM panels or between SPM panels and PVC floor coving.



CONTAINS

1. Leister electronic welding gun and a spare resistor
2. Narrow rapid nozzle diameter 4/5 mm
3. Triangular rapid nozzle diameter 4/5 mm
4. Nozzle brush (length 160 mm)
5. Mozart 2-in-1 trimming knife and 5 replacement blades
6. Triangular groover (length: 24 cm - 6 cm sides)
7. Trimming groover with rounded blade



HOOKED BLADE CUTTER

This cutter's unique blade shape makes it ideal for cutting PVC panels and profiles.

DESCRIPTION

- Aluminium/plastic cutter
- Length 140 mm
- Includes tungsten carbide hooked blade and all-purpose blade

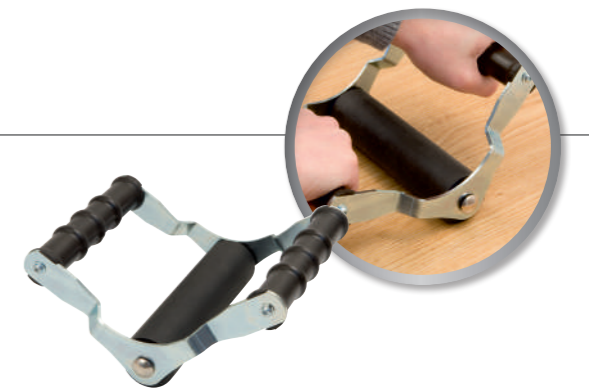


TWO-HANDLED SMOOTHING ROLLER

Ideal for smoothing SPM panels after applying adhesive; offers substantial finishing pressure with its double handle and ease of use.

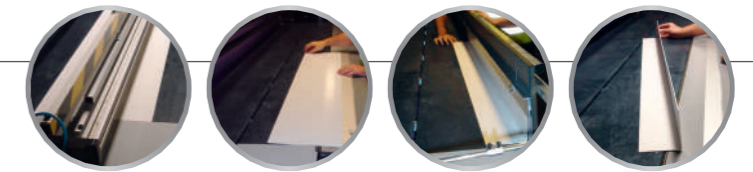
DESCRIPTION

- Roller length: 160 mm
- Roller diameter: 40 mm
- Dimensions (L x W x H): 210 mm x 180 mm x 120 mm



THERMOBENDING MACHINES

Specially designed and developed for bending SPM panels on-site. Available in 2 sizes for making bendings over lengths of up to 1.30 m or 3.00 m. Larger model equipped with rotary stop block. Comes in case for easy transport and storage.



DESCRIPTION

Bending length in mm	1300	3000
Dimensions in mm (L x l x H)	1900 x 700 x 300	3600 x 700 x 300
Weight in kg	35	90
Voltage in V	220	220

i INFO: THERMAL EXPANSION

PVC has a coefficient of thermal expansion to take into account when installing. If products are stored in unheated premises in winter or exposed to sun in summer, they must be stored at the same temperature as the premises in which they are to be fitted for at least 24 hours.

If the products are to be installed in temperature conditions very different to 20°C (such as unheated premises in winter), take into account dimensional variations indicated in the below table.

Temperature in °C	Dimensional variations in mm for 1 linear meter	Comments
15	-1	Admissible temperature
20	0	Ideal temperature
25	+1	Admissible temperature
30	+2	Maximum temperature

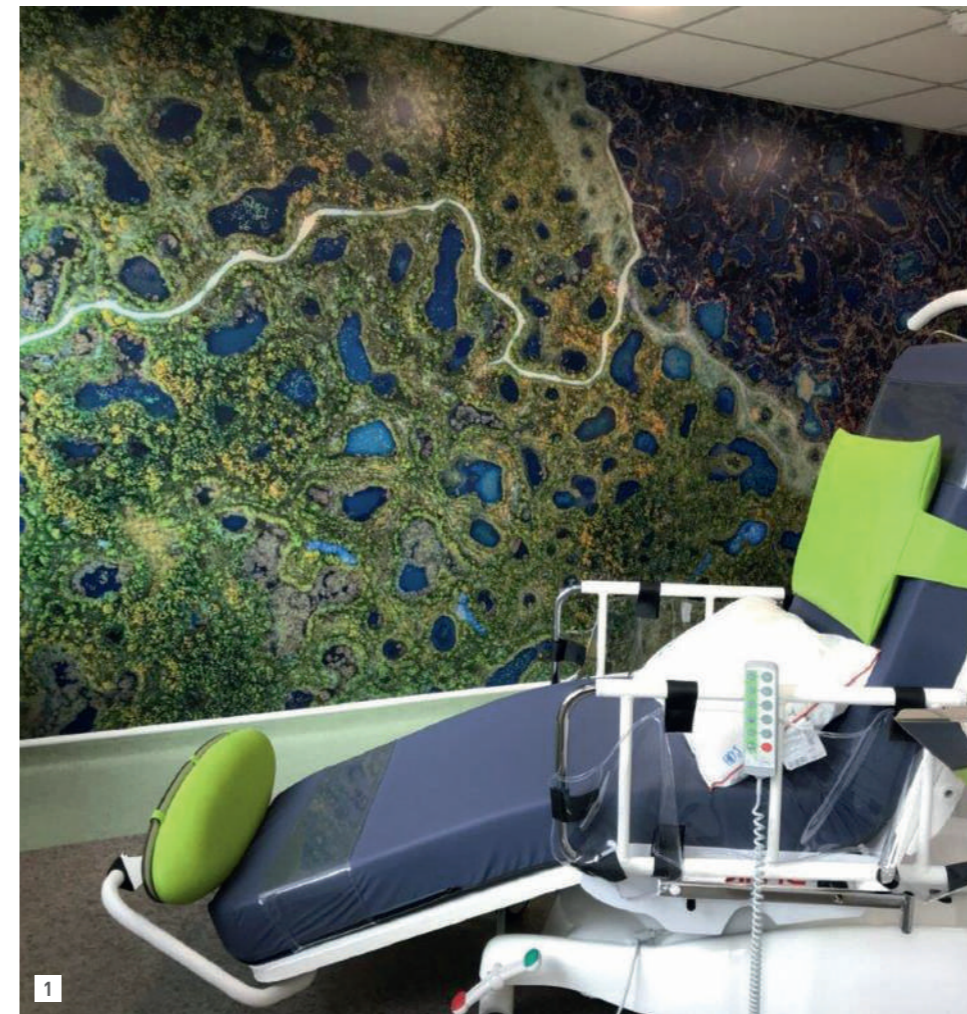
For detailed instructions, please refer to Installation Procedure Guide.



HOSPITALS CLINICS



MAGNIN CLINIC (New Caledonia)
Decochoc panel / Escort handrail / Cornea corner protector
SANAE Architecture - Photographer: Eric Dell'Erba



1

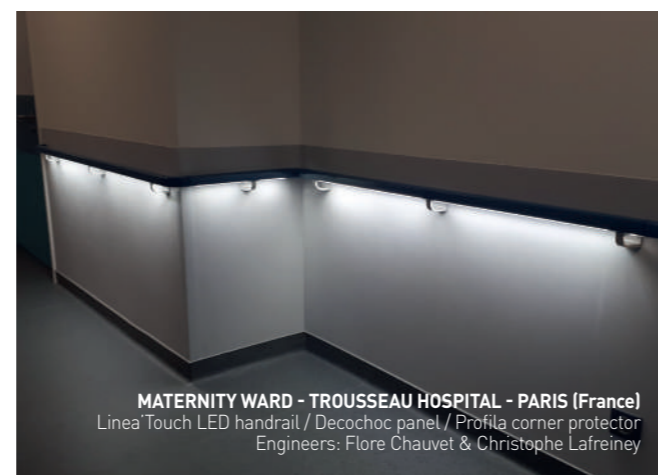
HOSPITAL - POITIERS (France)
Decoprint & Decochoc panels / Escort handrail /
Protecta 2 corner protector
Architect: La Nouvelle Tannerie
1/2/3



MEMORIAL HOSPITAL - SAINT LÔ (France)
Decoprint panel



HOSPITAL - MEAUX (France)
Decoprint panel
Architect: Pascale Seurin



MATERNITY WARD - TROUSSEAU HOSPITAL - PARIS (France)
LineaTouch LED handrail / Decochoc panel / Profila corner protector
Engineers: Flore Chauvet & Christophe Lafreiney



2

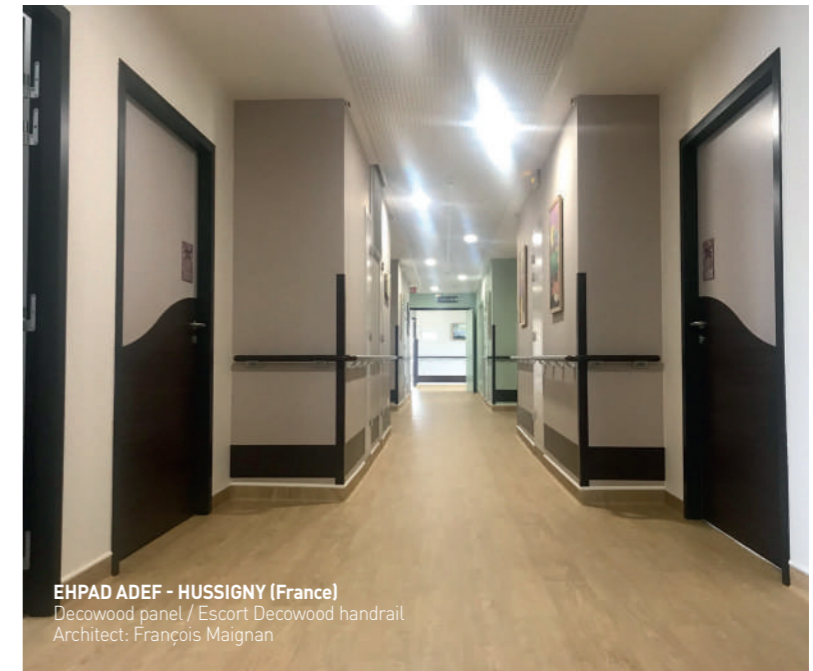


3

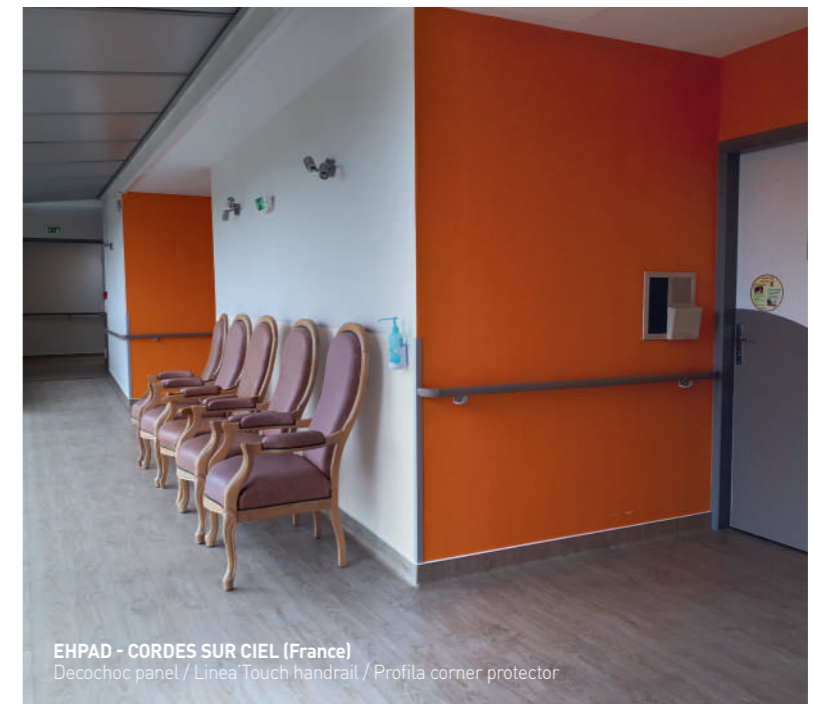
RETIREMENT HOMES
DISABILITY CENTERS



EHPAD - VILLENEUVE LES BÉZIERS (France)
Decochoc panel
Photographer: Fabrice Maillard



EHPAD ADEF - HUSSIGNY (France)
Decowood panel / Escort Decowood handrail
Architect: François Maignan



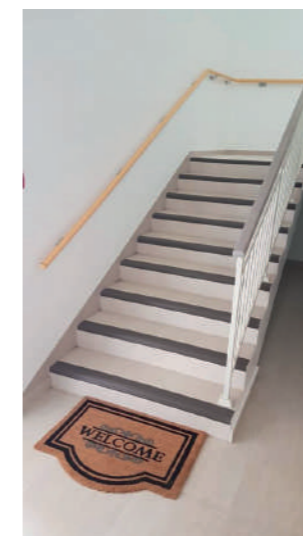
EHPAD - CORDES SUR CIEL (France)
Decochoc panel / Linea' Touch handrail / Profila corner protector



EHPAD LAURY MUNCH - STRASBOURG (France)
Thermoformed Decochoc panel



LIFE CENTER - BASSILAC (France)
Decowood panel



Escort handrail
with Rapid'Angle®

EARLY
CHILDHOOD



NEGRENEYS CRÈCHE - TOULOUSE (France)
Decochoc panel / Profila corner protector



CHILDHOOD CENTER - DÉOLS (FRANCE)
Decofresc panel



LOCAL CRÈCHE - CARMAUX (France)
Decochoc & Kidfresc panels / Profila corner protector / Safy'Door door finger protection 1/2



NEGRENEYS CRÈCHE - TOULOUSE (France)
Decochoc panel / Profila corner protector



2

EDUCATION



LE VILLAGE SCHOOL - EVRY (France)
Decotrend & Decochoc panels / Handplate



Contact plate



Decoprint panel



Decochoc panel



ARAGO HIGH SCHOOL - PERPIGNAN (France)
Decochoc panel

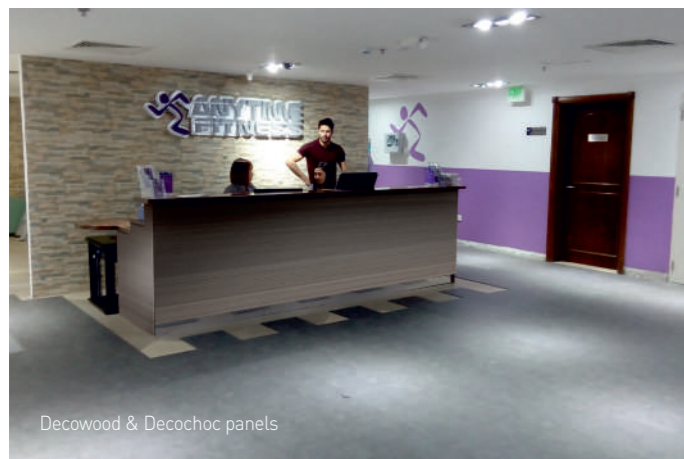


SCHOOL - GIF SUR YVETTE (France)
Decotrend panel / Fin'Alu profile

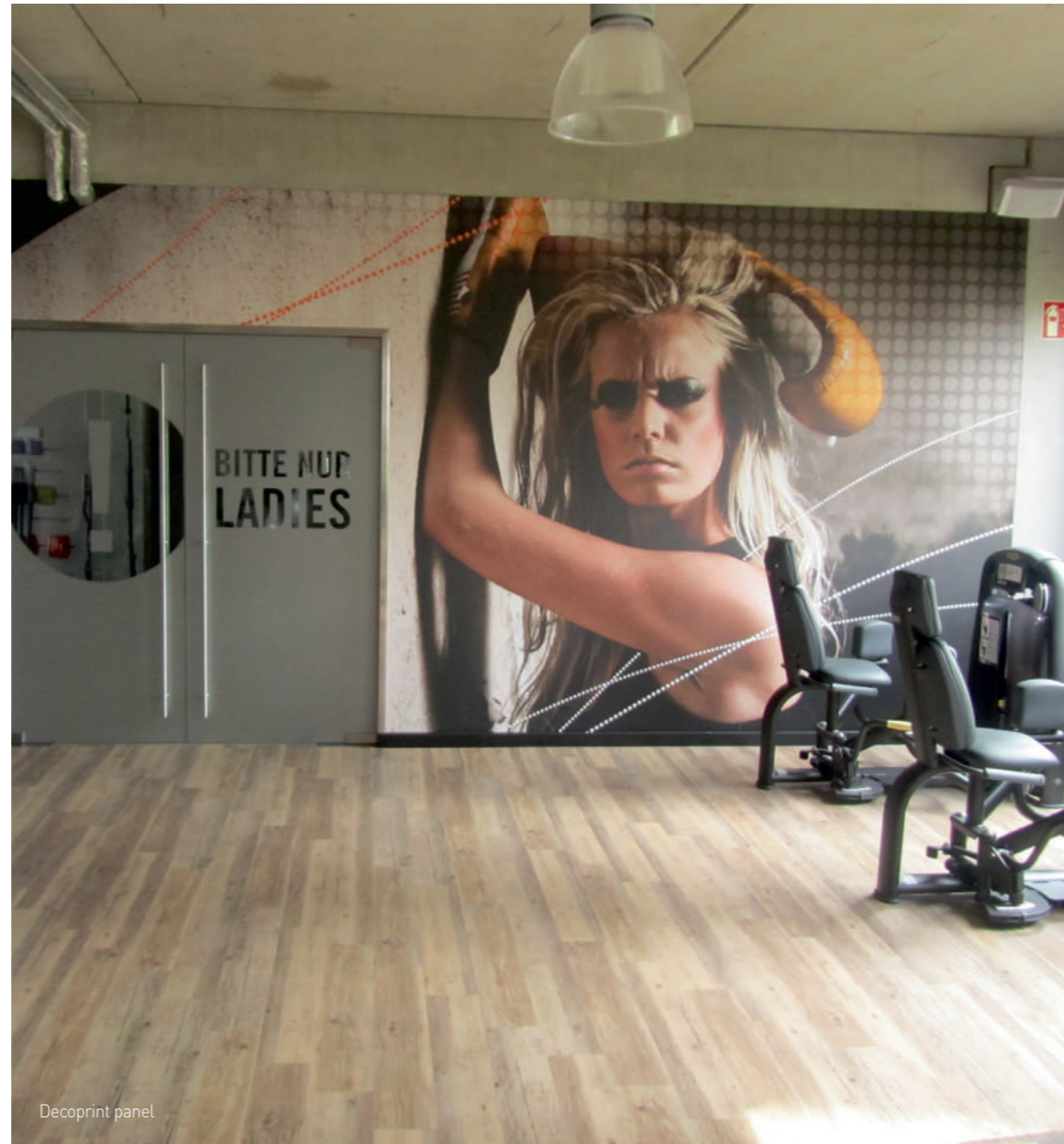


Decochoc panel

SPORT
FITNESS



Decowood & Decochoc panels



Decoprint panel



BODEGA TFC TOULOUSE FOOTBALL CLUB - STADIUM - TOULOUSE (France)
Decochoc panel / Handplate



SHIFER (Israël)
Decochoc panel



Decoprint panel



ICE RINK - COURBEVOIE (France)
Decotrend panel with inlaid signage

HOUSING



Decochoc panel with inlaid signage /
Protecta 2 corner protector / Handplate



Decochoc H₂O panel



Decowood panel with inlaid signage /
Profil'Inox corner protector



Decochoc
H₂O panel



OPH - BOBIGNY (France)
Decochoc panel with inlaid signage / Fin'Color finishing profile



AVEYRON HABITAT (France)
Decochoc & Decowood panels

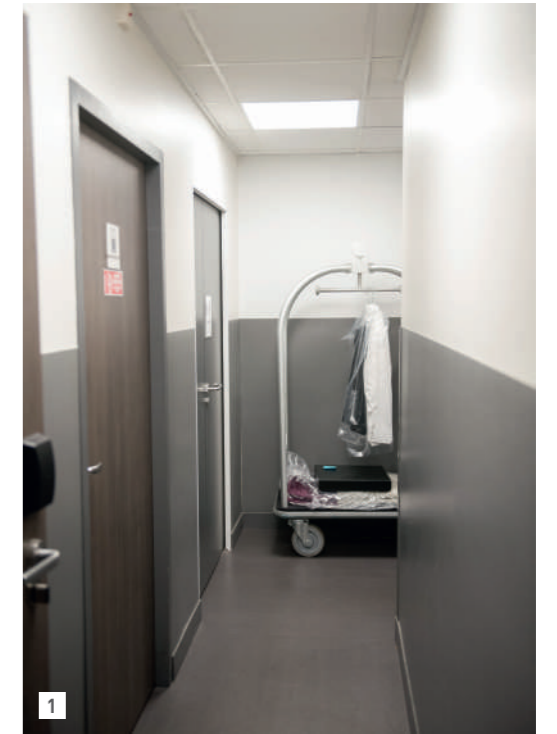
HOTELS CATERING



MERCURE COMPANS HOTEL - TOULOUSE (France)
Decoprint, Decotrend & Decowood panels /
Inlaid signage / Contact plate
Trace Architects
1/2/3/4



1



1



2

MERCURE WILSON HOTEL - TOULOUSE (France)
Decochoc & Decotrend panels
1/2



Decoprint panel



3



4



Decoprint panel



IBIS STYLE HOTEL - PALEXPO - GENÈVE (Switzerland)
Decochoc panel

SHOPS



Decoprint panel



1



1

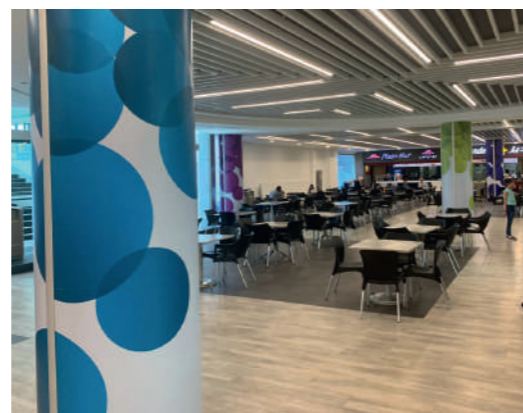
MIGROS SUPERMAKETS (Switzerland)
Decoprint panel
Designer ONE BY ONE
1/2



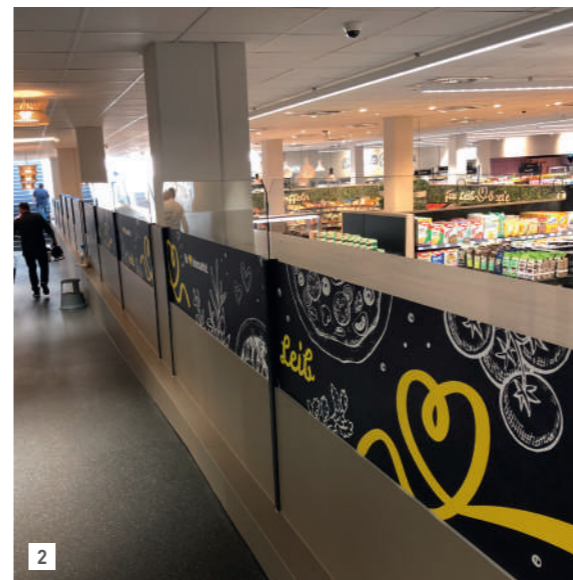
Decoprint panel



2

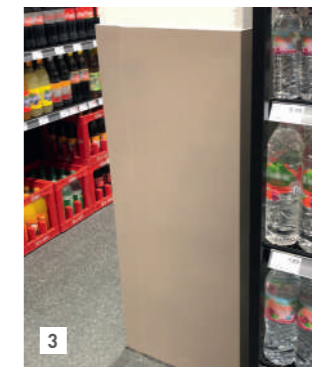


CITY MALL (Jordania)
Decoprint thermoformed panel
Amman Decoration House



2

EDEKA SUPERMARKETS (Germany)
Decoprint & Decochoc panels
1/2/3/4

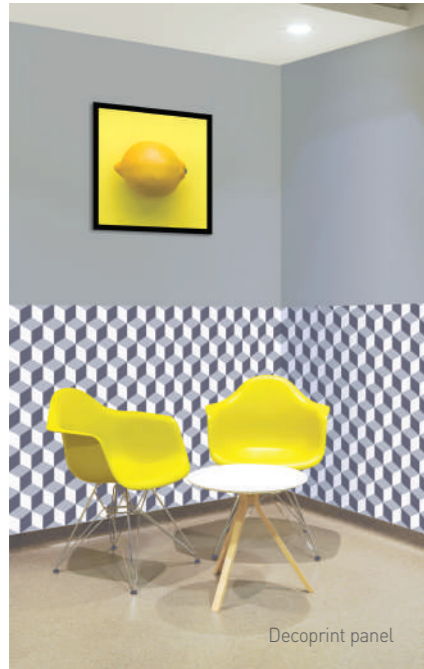


3



4

OFFICES
PUBLIC BUILDING



Decoprint panel



Decowood panel



Decoprint panel



Contact plate



PARTY HALL - BRILLON (France)
Decotrend & Decochoc panels



Decochoc panel



Lady & Man handplates

INDUSTRY CLEANROOMS



Decoclean thermowelded panel



Decochoc panel



Decoclean thermowelded panel



Decochoc panel



Impact wall protection rail



Decoclean thermowelded panel

TRENDY & DESIGN



RYDYGIERA HOSPITAL (Poland)
Decoprint & Decochoc panels / Linea Touch handrail



1



1



2

EXCELLENT CARE CLINICS (Netherlands)
Decochoc & Decochoc H₂O panels
1/2



2

MATERNITY WARD HOSPITAL HOROVICE (Czech Republic)
Decochoc & Decoprint panels / Profila corner protector
1/2/3



3



MAINZ CASINO (Germany)
Cutout Decochoc panel

UNUSUAL



1

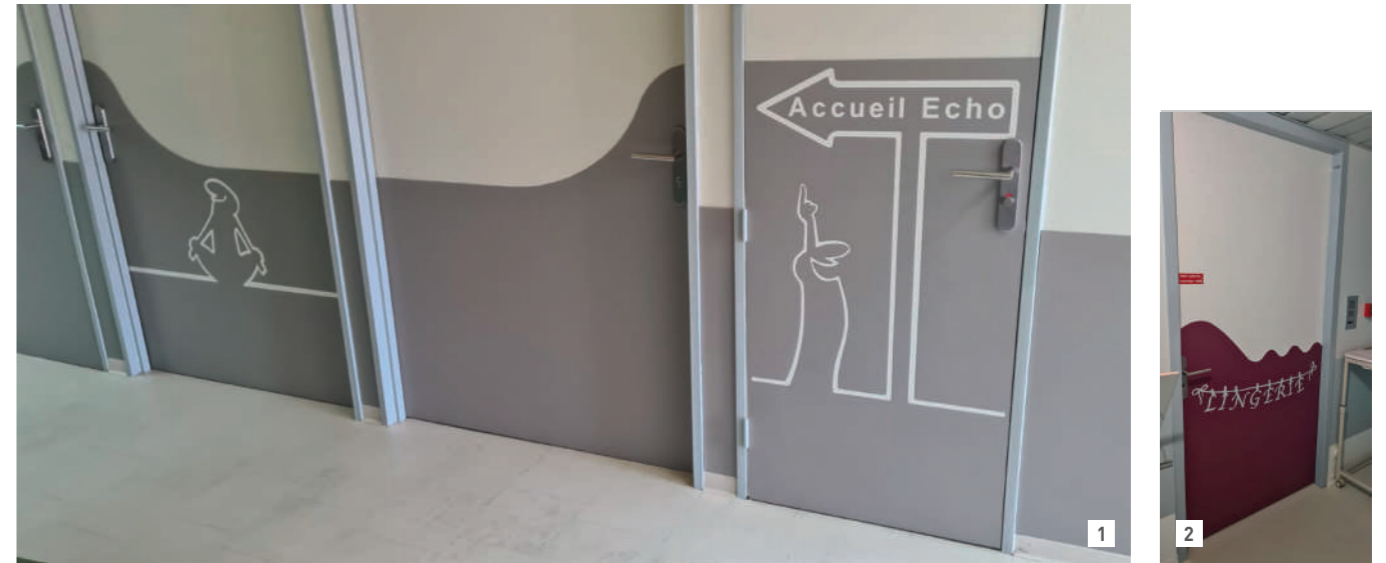


2



3

MATERNITY WARD - NORTH WEST HOSPITAL - VILLEFRANCHE SUR SAÔNE (France)
Decoprint panel
Graphist: Benjamin Fessetaud
1/2/3



1

2

HAUT LÉVÊQUE HOSPITAL - PESSAC (France)
Decochoc panel with inlaid signage / Linea Touch handrail
1/2/3/4/5



3



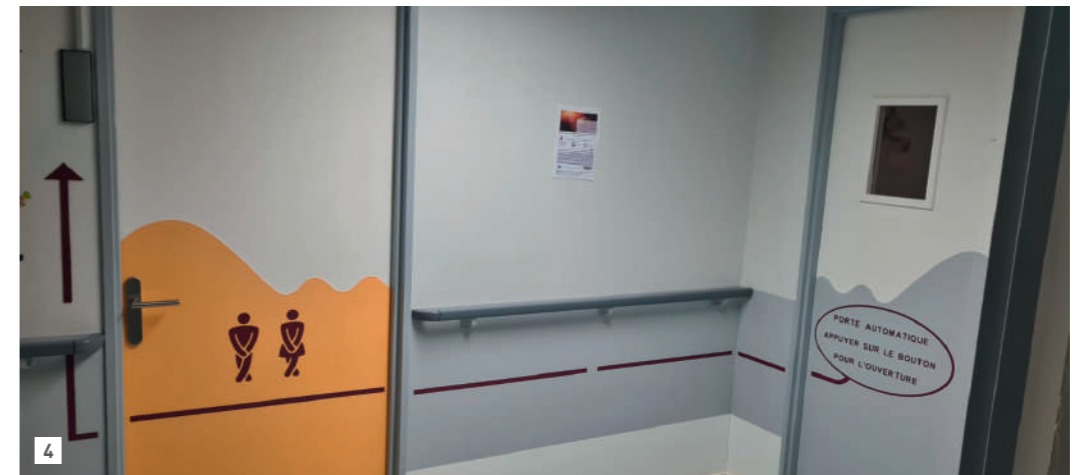
IKAZIA HOSPITAL (Netherlands)
Decoprint panel



REDCLIFE QUEENSLAND HOSPITAL (Australia)
Decoprint panel



5



4

DOCUMENTS AND SAMPLE CARDS

AVAILABLE

SPM BROCHURE

You will find in this catalogue, all relevant technical information on our products: cut to scale 1, description, application, colour palette...



SPECIAL ISSUE DECOPRINT



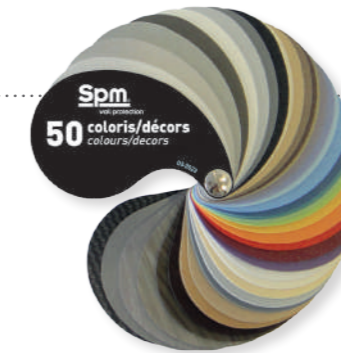
SAMPLE CARD

This tool has been created to help you choose colours in your projects. All colours from the SPM range are presented with movable samples.



50 COLOURS AND DECORS SPM PALETTE

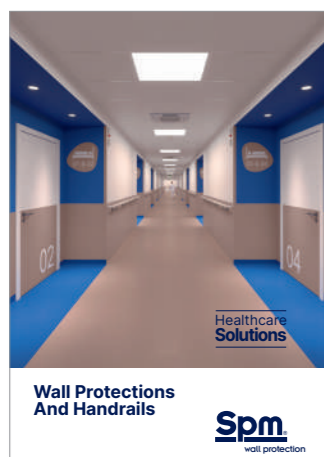
A new design and trendy colour chart with 50 colours and decors created with the help of our partner architects and colourists in order to offer you an even wider choice.



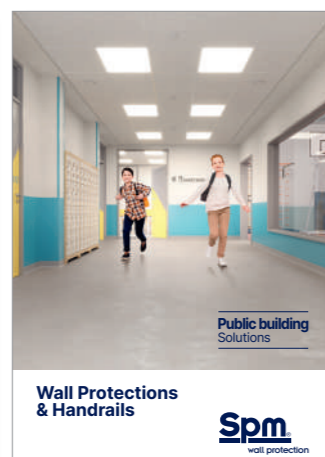
Colours are not contractually binding.

SPM SOLUTIONS

HEALTHCARE



PUBLIC BUILDING



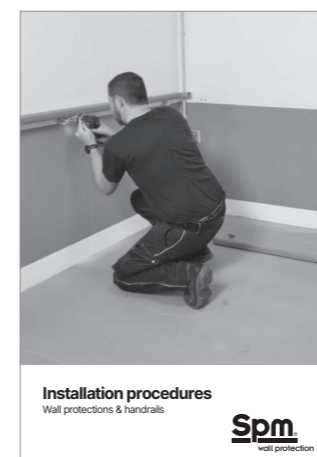
HOUSING



HOTEL



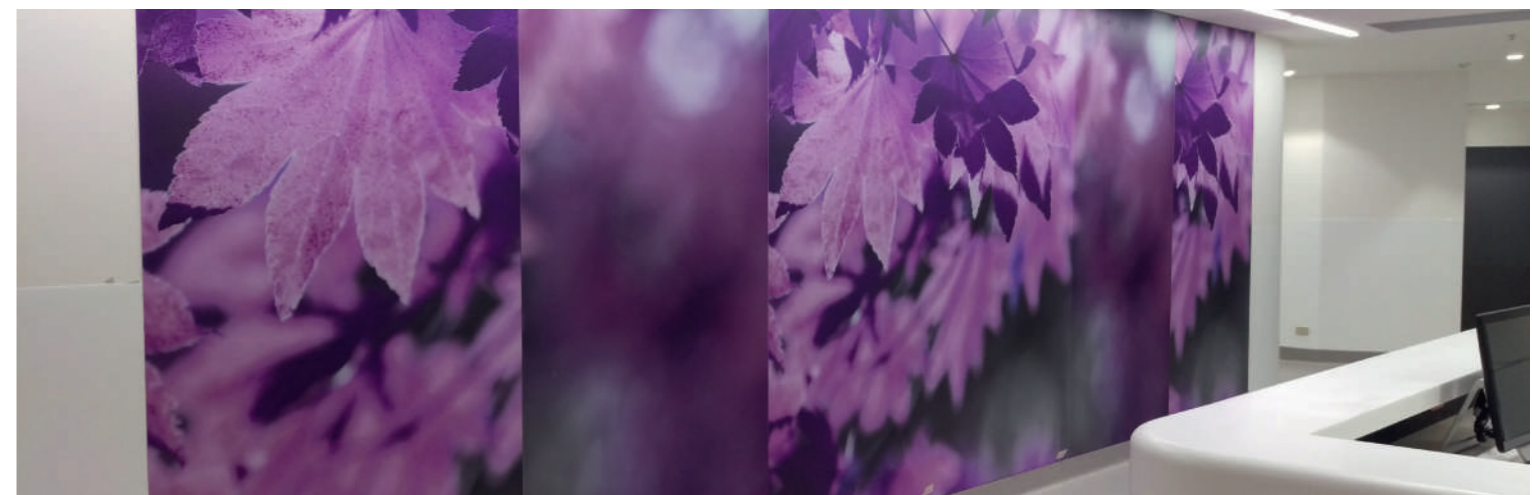
INSTALLATION PROCEDURES



A guide which precisely details installation conditions and steps to follow.

INDEX

- A**
Antibacterial..... p. 07
- B**
Bactericidal..... p. 07
Bacteriostatic..... p. 07
Bendings..... p. 100/101
Brochures..... p. 168/169
- C**
Case - Wall welding..... p. 138
Colour swatches..... p. 38 to 43 & 169
Colours..... p. 38 to 43 & 164 to 167
Combo'Corner..... p. 84/85
Contact 350/200..... p. 54/55 & 94
Contents..... p. 03
Cornea..... p. 82
Corneaflex..... p. 83
Curving..... p. 136
Cutter - Hooked blade..... p. 138
- D**
Decobowl..... p. 135
Decochoc..... p. 56/57
Decochoc H₂O..... p. 62/63
Decochoc Staro..... p. 66/67
Decoclean..... p. 60/61
Decofresc..... p. 70
Decoprint..... p. 72/73
Decosign..... p. 74/75
Decotrend..... p. 42 & 59
Decotrend H₂O..... p. 64/65
Decowood..... p. 40/41 & 58
Decowood H₂O..... p. 64/65
- E**
Early Childhood..... p. 71 & 99
Edges..... p. 100/101
Elasto' Flex..... p. 131
Elasto' Punch..... p. 132/133
Escort:
- Anodised..... p. 124/125
- Decowood..... p. 124/125
- PVC sheathed..... p. 122/123
Escort'Duo..... p. 106/107
Environment..... p. 12/13
- F**
Fin'Alu..... p. 68
Fin'Angle..... p. 77
Fin'Color..... p. 69
Fixing and finishing..... p. 77
Food contact..... p. 09
Frames..... p. 100/101
- H**
Handplates..... p. 98
Hygiene..... p. 07 & 09
- I**
Impact 200/120/60..... p. 52/53
Impacts..... p. 11
Industrial protection..... p. 130/133
Inlaid signage..... p. 99
Innovation..... p. 14/15
ISO 5..... p. 09 & 60/61
- J**
Jointing profiles..... p. 77
- K**
Kidfresc..... p. 71
- L**
Linea'Duo..... p. 106/107
Linea'Flex..... p. 86
Linea'Punch Neo..... p. 50/51
Linea'Touch:
- Anodised..... p. 118/119
- Decowood..... p. 118/119
- PVC sheathed..... p. 114/115
Linea'Touch LED:
- Anodised..... p. 120/121
- Decowood..... p. 120/121
- PVC sheathed..... p. 116/117
- M**
Masks for doors..... p. 94 to 98
- N**
Nuclear decontamination..... p. 09
Numbers..... p. 99
- P**
Palette of colours..... p. 38/39
Performer 2..... p. 108/109
Photo book..... p. 140/163
Pictos..... p. 103
Plac'Inox..... p. 76
Profila 50 & 30..... p. 88
Protecta 2..... p. 87
Profil'Inox 50 & 30..... p. 89
- R**
Rapid'Access®..... p. 136
Rapid'Angle®..... p. 137
Reaction to fire..... p. 11
Resistance..... p. 09 & 11
Roller (smoothing)..... p. 139
- S**
Safy'Corner..... p. 127
Safy'Door..... p. 128
Safy'Hand..... p. 129
Scratches..... p. 11
Selection guide..... p. 16 to 37
Service ducts..... p. 136
Signage customized..... p. 74/75
Signage inlaid..... p. 99
Smoothing Roller..... p. 139
Solutions
- corner protection..... p. 78/81
- door protection..... p. 90/93
- for handrails..... p. 136/137
- for panels..... p. 77 & 134/135
- handrails..... p. 102/105
- per sector..... p. 16/37
- wall protection..... p. 46/49
Stains..... p. 11
Starline
- Anodised..... p. 112/113
- PVC sheathed..... p. 110/111
- T**
Thermal expansion..... p. 139
Thermobending machines..... p. 139
Thermoforming..... p. 101 & 135
Thermowelding..... p. 134
Tools..... p. 138/139
- V**
Virucidal..... p. 07
- W**
Wall welding case..... p. 138
Watertightness..... p. 09 & 134



Service Export

Tel : + 33 (0) 5 34 39 41 00

Email : export@spm.fr

SPM international S.A.S.

16 rue Isabelle Eberhardt

CS 92083 - 31019 Toulouse Cedex 2 - France

Tel : +33 (0)5 34 39 40 00

spm-international.com

**PANELS
HANDRAILS
PROTECTION RAILS
CORNER PROTECTION**

Committed to sustainable development



REACH



100%
RECYCLABLE



INDOOR
AIR
QUALITY



HYGIEN & SECURITY

HYGIEN
AND
SECURITY

A company of **Gerflor**

Sp^m
wall protection