



PROFIL'INOX 50 AND 30

90° ADHESIVE CORNER PROTECTORS IN BRUSHED STAINLESS STEEL



APPLICATIONS

Profil'Inox protect 90° corners exposed to impacts. They are instantly recognisable by their rounded edge and lightly beveled sides.

They are approved for use in food-handling areas.

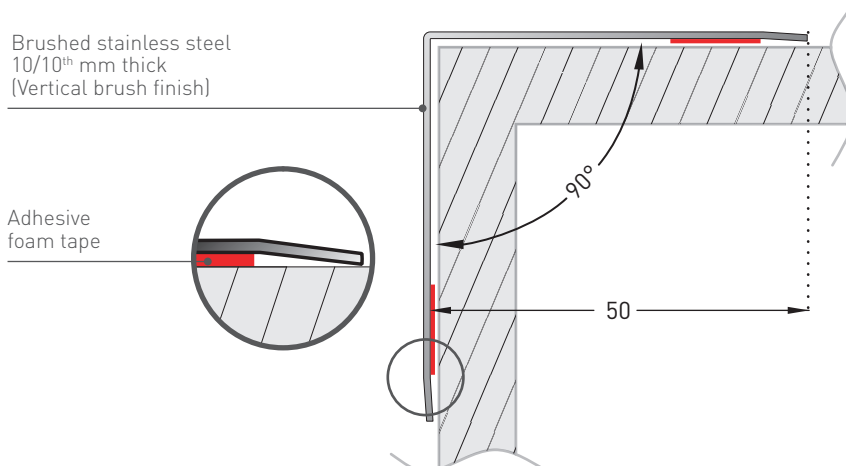
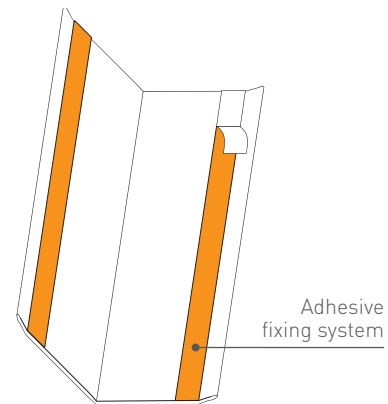
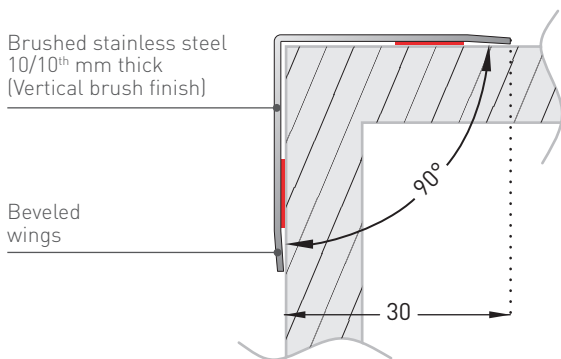
Ideally suited for heavily used or wet areas, they are particularly useful in the food and pharmaceutical industries as well as in healthcare establishments, central kitchens, etc.

DESCRIPTION

- Model: Profil'Inox 50 or 30 adhesive corner protector
- Angle: 90°
- Wing width: 50 or 30 mm (internal measurement)
- Thickness: 10/10th
- Length: 2.50 m
- Material: 304L stainless steel (approved for food-handling areas)
- Fixing: adhesive foam tapes to reinforce with SPM multipurpose adhesive sealant
- Finish: brushed metal

SPECIFICATION

- Description: 90° adhesive corner protector with 50 or 30 mm wings (internal measurement) (Profil'Inox 50 or 30 as manufactured by SPM), 10/10th thick in 304L brushed stainless steel approved for food handling areas and provided with two strips of double-sided adhesive foam tape. Wings are lightly beveled. A protective film is specified to minimise cleaning before acceptance.
- Finish: brushed metal.
- Installation method: adhesive. SPM multipurpose adhesive sealant is recommended for stronger fixing.



Specifications and section drawings on our website www.spm-international.com



bimobject BimObject in Revit and Archicad