

SAFY'HAND

HANDS-FREE DOOR OPENER



APPLICATIONS

Safy'Hand hands-free door opener is the hygienic solution to limit the spread of viruses and the risks of manual contamination. It allows to open and close the doors without hands contact, with the elbow or the forearm.

Ideal for healthcare establishments, schools and nurseries, Safy'Hand is quick and easy to install. It adapts to the (round) existing door handle and its yellow coated surface will facilitate cleaning and disinfection.

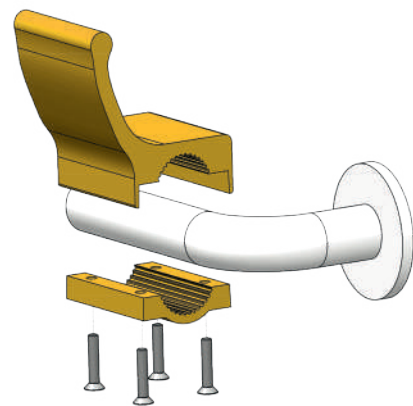
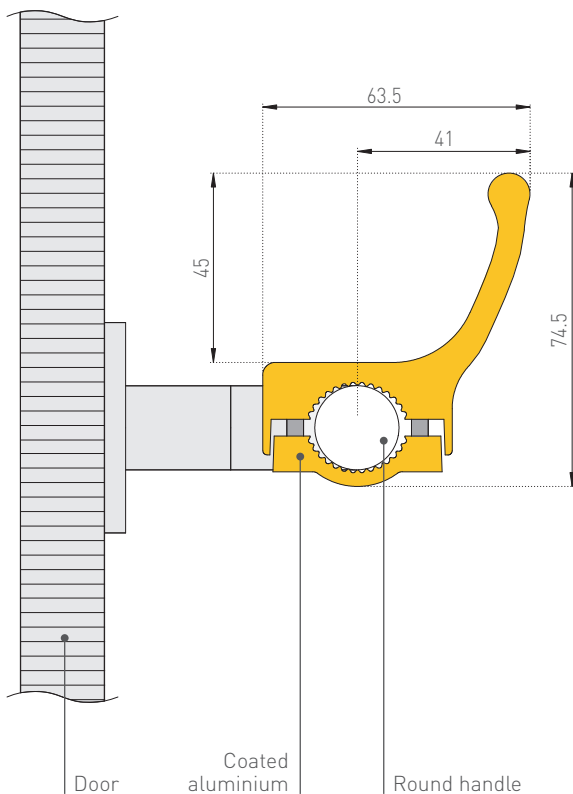
DESCRIPTION

- Model: Safy'Hand hands-free door opener, for round door handle
- Height: 45 mm
- Width: 55 mm
- Depth: 63.5 mm
- Diameter: from 17 to 24 mm
- Material: coated aluminium
- Fixing: with four hexagon counter-sunk head screws, 2.5 mm Allen end (supplied)
- Colour: yellow

INSTALLATION PROCEDURE

Quick and easy installation:

1. Unscrew the four Hex screws using a 2.5 mm Allen key
2. Insert on the round handle and position Safy'Hand system
3. Screw the four Hex screws to hold Safy'Hand system



Specifications and section drawings on our website www.spm-international.com



bimobject BimObject in Revit and Archicad