

Decotrend band
| 4 trend decors



STARLINE - ANODISED ALUMINIUM HANDRAIL WITH DECOWOOD, DECOTREND OR DECOCHOC BAND - 90 MM HIGH

BACTERICIDAL JOINT

APPLICATIONS

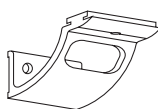
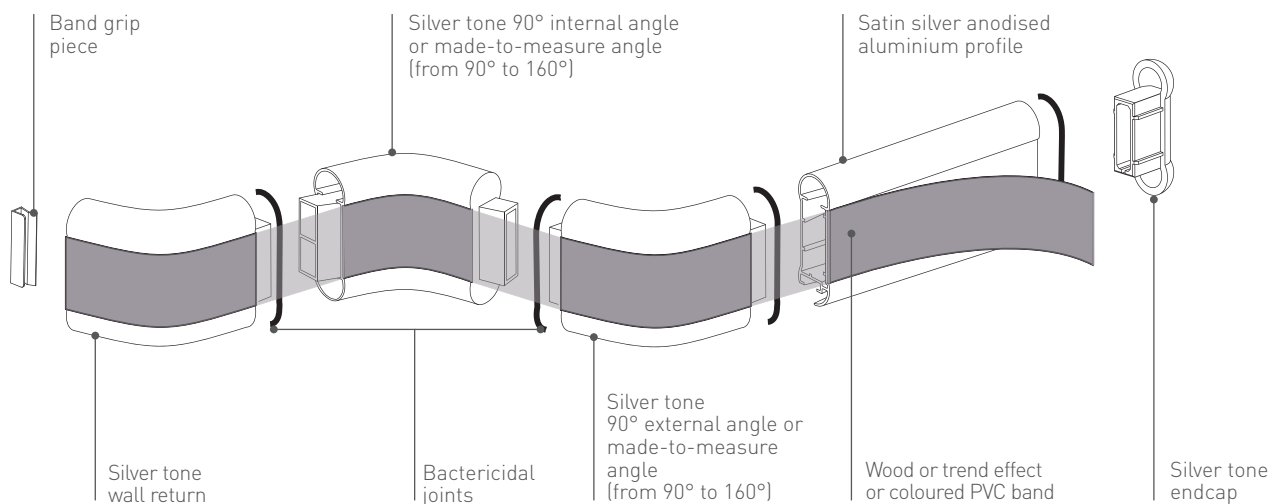
This handrail provides both a good grip and a stylish decorative touch with its wood, trend effect or coloured band. Starline anodised is ideally suited for corridor areas with light traffic of trolleys in public buildings: hospitals, clinics, retirement homes, hotels, offices.

It can be bent for curved sections and a removeable system is available to provide continuation of the handrail in front of service ducts.

It is fitted with bactericidal joints (refer page 102).

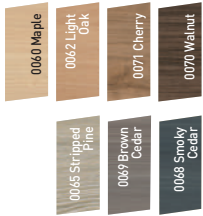
SPECIFICATION

- Description: anodised aluminium handrail with a wood, trend or slightly textured coloured PVC band (Starline – Anodised -Decowood, Decotrend or Decochoc- as manufactured by SPM). The height of the handrail is 90 mm, it has an overall projection of 80 mm and a depth of 30 mm. It consists of a 1.5 mm thick continuous aluminium profile with a groove into which satin silver anodised aluminium brackets, 40 mm deep, curved and perforated with 2-point self-locking, slide and lock. Smooth and antibacterial PVC accessories in silver tone with solid colour (wall returns, 90° internal and external angle pieces or made-to-measure from 90° to 160°, endcaps), are sleeved into the profile. A self-adhesive PVC band, 1 mm thick, wood, trend or coloured (Decowood, Decotrend or Decochoc as manufactured by SPM), is bonded over the rail assembly. It is fitted with bactericidal joints and the profile can be curved.
- Environment: no heavy metals and no substance potentially subjected to any REACH restriction are used in its manufacture, nor PBT/BPA. The calcium-zinc thermal stabilisation process is used. The emission level of volatile substance in inside air has been tested according to ISO 16000-6 and is very low (A+) according to the French regulation (23 March 2011 nr 2011-321 Decree and 19 April 2011 Order). 100% of the product are recyclable.
- Colour: selected by architects from manufacturer's standard range.
- Installation method: upper edge of section 0.90 m max. above floor level. Fixes to 2-point self-locking perforated brackets screwed to the wall at 1.20 m centres (0.80 m centres in heavy traffic corridors and on light partitions like plasterboard). Wall returns, angles and endcaps to be fixed with pop rivets.

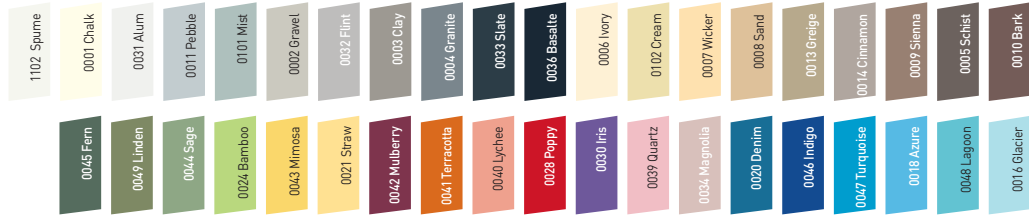


80 mm perforated
self-locking aluminium bracket
satin silver anodised

Deco band
| 7 wood decors



Decochoc band
| 39 colours

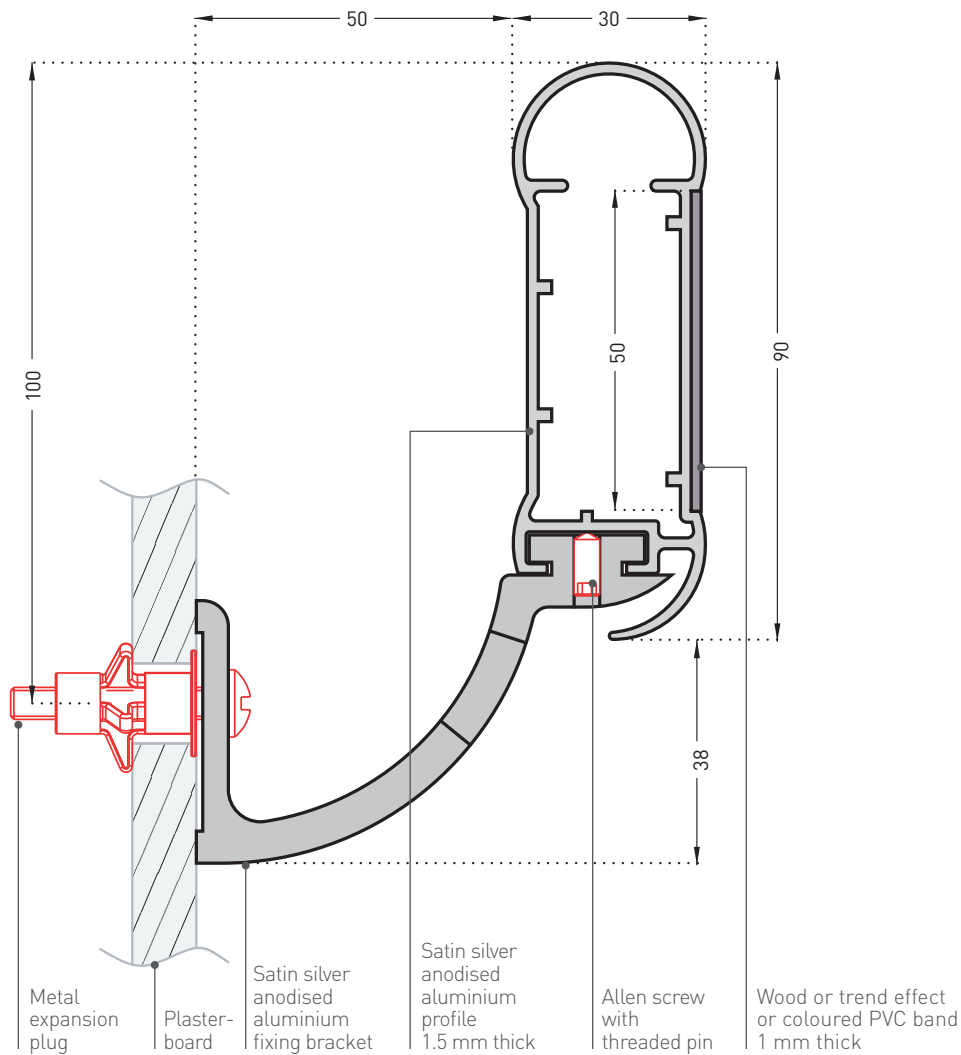


Colours available per product: please see the colour summary hinge



DESCRIPTION

- Model: Starline - Anodised aluminium handrail with wood or trend effect or coloured PVC band
- Height: 90 mm
- Length: 4 m
- Depth: 30 mm
- Overall projection: 80 mm
- Stand-off from wall: 50 mm
- Material: satin silver anodised aluminium profile with wood or trend effect or coloured PVC band, Bs2d0 fire rated, bactericidal joint
- Fixing: on 2-point self-locking perforated satin silver anodised aluminium brackets, screwed to wall at 1.20 m centres (0.80 m centres in heavy traffic corridors and on light partitions like plasterboard)
- Colours for the band:
 - 7 wood decors
 - 4 trend decors
 - 39 colours



Specifications and section drawings on our website www.spm-international.com



bimobject BimObject in Revit and Archicad