



*virucidal activity against human coronavirus HCoV-229E according to ISO 21702. On our PVC handrails, 99.96% of the virus eliminated after two hours



COMBO'DUO

PROTECTION HANDRAIL - 160 MM HIGH

BACTERICIDAL JOINT



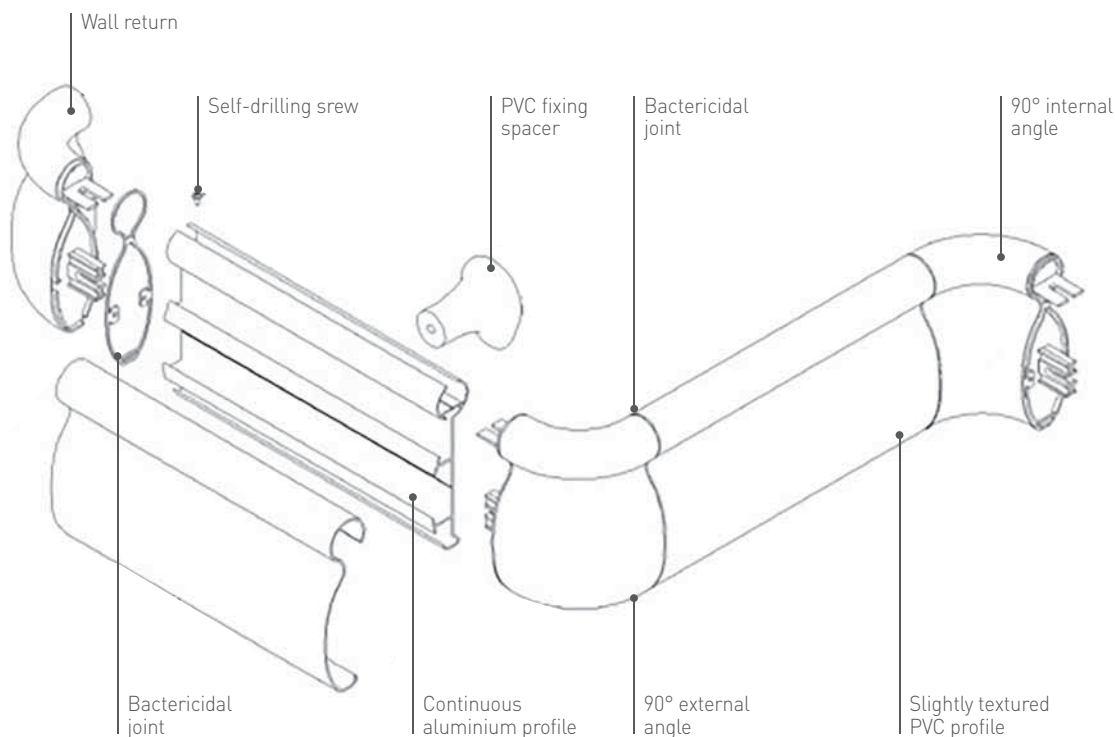
APPLICATIONS

This product combines handrail and protection rail to ensure a maximum efficiency.

Combo'Duo is perfect for hospitals, clinics or re-education centers, and its slightly textured finish helps to conceal the effect of abrasion and gives it a matte finish.

SPECIFICATION

- Description: protection handrail (Combo'Duo as manufactured by SPM) from 2 mm thick slightly textured (Optimixt grain as manufactured by SPM) and antibacterial PVC achieving Bs2d0 fire rating with solid colour. The height of the handrail is 160 mm, it has an overall protection of 94 mm and a depth of 44 mm. It consists of a tubular upper part (diameter 38 mm) and a lower wall protection rail. The PVC profile snap-fixes onto a continuous aluminium profile and finish is provided by slightly textured PVC accessories (wall returns, 90° internal/external angles). The unit is fitted into a PVC fixing spacer. It is fitted with bactericidal joints.
- Environment: no heavy metals and no substance potentially subjected to any REACH restriction are used in its manufacture, nor PBT/BPA. The calcium-zinc thermal stabilisation process is used. The emission level of volatile substance in inside air has been tested according to ISO 16000-6 and is very low (A+) according to the French regulation (23 March 2011 nr 2011-321 Decree and 19 April 2011 Order). 100% of the product are recyclable.
- Colour: selected by architects from manufacturer's standard range.
- Installation method: upper edge of section 0.90 m max. above floor level. Fixing on PVC spacers to be fitted at 0.80 m centres (0.60 m centres in heavy traffic corridors and on light partitions like plasterboard). Wall returns and angles fixing with self-drilling screws.



Specifications and section drawings on our website www.spm-international.com
BimObject in Revit and Archicad 



* and 27 colours on request (Please contact us)



DESCRIPTION

- Model: Combo'Duo protection handrail
- Height: 160 mm
- Length: 4 m
- Tubular upper part diameter: 38 mm
- Depth: 44 mm
- Overall projection: 94 mm
- Stand-off from the wall: 50 mm
- Material: 2 mm thick antibacterial and Bs2d0 fire-rated PVC, solid colour, bactericidal joint
- Surface finish: slightly textured ("Optimixt" grain*)
- Fixing: on PVC spacers to be fitted at 0.80 m centres (0.60 m centre in heavy traffic corridors and on light partitions like plasterboard)
- Colours: 4 standard

* "Optimixt" grain: optimal combination of scratch resistance, hygiene and aesthetic.

