



*virucidal activity against human coronavirus HCoV-229E according to ISO 21702. On our PVC handrails, 99.96% of the virus eliminated after two hours



ESCORT - PVC SHEATHED ROUND HANDRAIL - DIAMETER 40 MM

BACTERICIDAL JOINT



APPLICATIONS

Escort is designed to provide a high quality grip and classic look. Highly appreciated by mobility-impaired persons for its perfect roundness and pleasant feel.

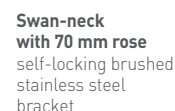
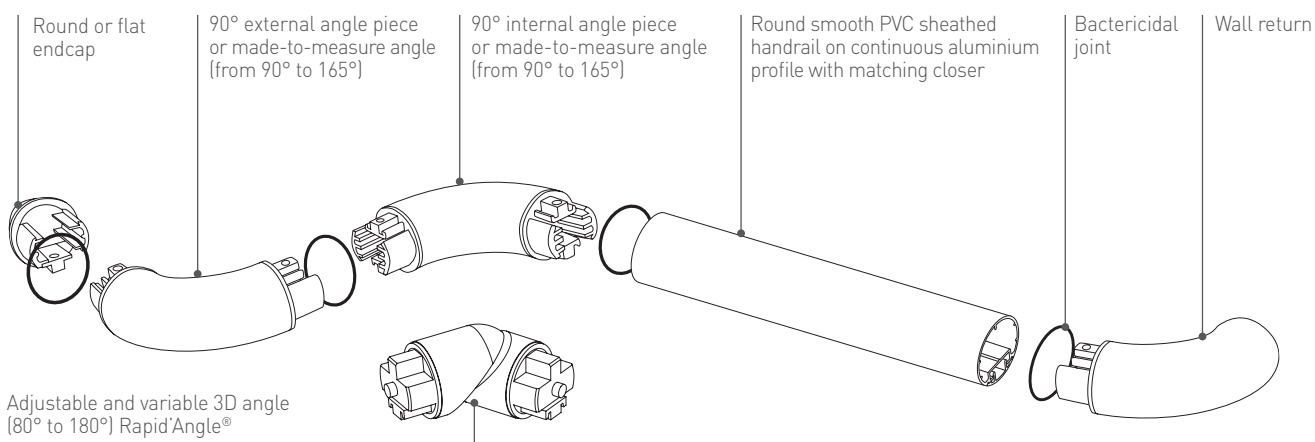
Escort is ideal for all corridors and stairways in retirement homes, hospitals, clinics, rehabilitation centres, collective housing.

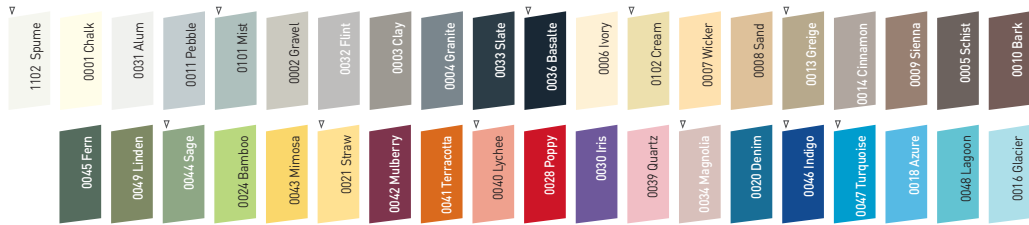
Escort can be bent for curved sections and a removeable system is available to provide continuation of the handrail in front of service ducts.

It is fitted with bactericidal joints (refer to page 102).

SPECIFICATION

- Description: round handrail with PVC sheath (Escort - PVC sheathed as manufactured by SPM) with a diameter of 40 mm. It consists of a 1.5 mm thick continuous aluminium profile covered by a 1.5 mm thick smooth and antibacterial PVC sheath achieving Bs2d0 reaction to fire classification with solid colour and a matching closer underneath. A protective film is specified to minimise cleaning before acceptance. The section comprises a groove into which brackets and matching closer slide and lock. Wall fixing is by 40 mm deep satin silver anodised aluminium brackets with 2-point self-locking: curved and perforated (80 mm wide), curved and full (60 mm wide) or bugled (55 mm wide). Wall fixing is also available by swan-neck with 70 mm rose brackets, in brushed stainless steel, 3 point self-locking. Overall projection is 80 mm (or 90 mm on request). Various smooth and antibacterial PVC accessories with solid colour (round or flat endcaps, external and internal 90° angle pieces or made-to-measure from 90 to 165°, wall returns), supplied with bactericidal joints, are available to finish the handrail assembly and are sleeved into the profile with clamping screws. Technical solutions are available to ensure continuity around corners (90° or made-to-measure), in staircases (slope link or 3-way "universal joint" rotation angle -Rapid'Angle® as manufactured by SPM-), across service ducts (quick removable assembly wedge or articulated link -Rapid'Access® as manufactured by SPM-) and around curved sections (pre-curved in the factory).
- Environment: no heavy metals and no substance potentially subjected to any REACH restriction are used in its manufacture, nor PBT/BPA. The calcium-zinc thermal stabilisation process is used. The emission level of volatile substance in inside air has been tested according to ISO 16000-6 and is very low (A+) according to the French regulation (23 March 2011 nr 2011-321 Decree and 19 April 2011 Order). 100% of the product are recyclable.
- Colour: selected by architects from manufacturer's standard range.
- Installation method: upper edge of section 0.90 m max. above floor level. Fixes to 2-point or 3-point self-locking brackets, depending on the model, screwed to the wall at 1.20 m centres (0.80 m centres in heavy traffic corridors and on light partitions like plasterboard). Wall returns, endcaps and angles to be fixed with 2.5 mm Allen clamping screws.





▼ Colours on order

Colours available per product: please see the colour summary hinge

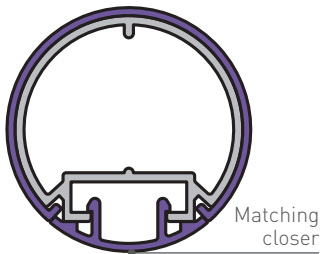
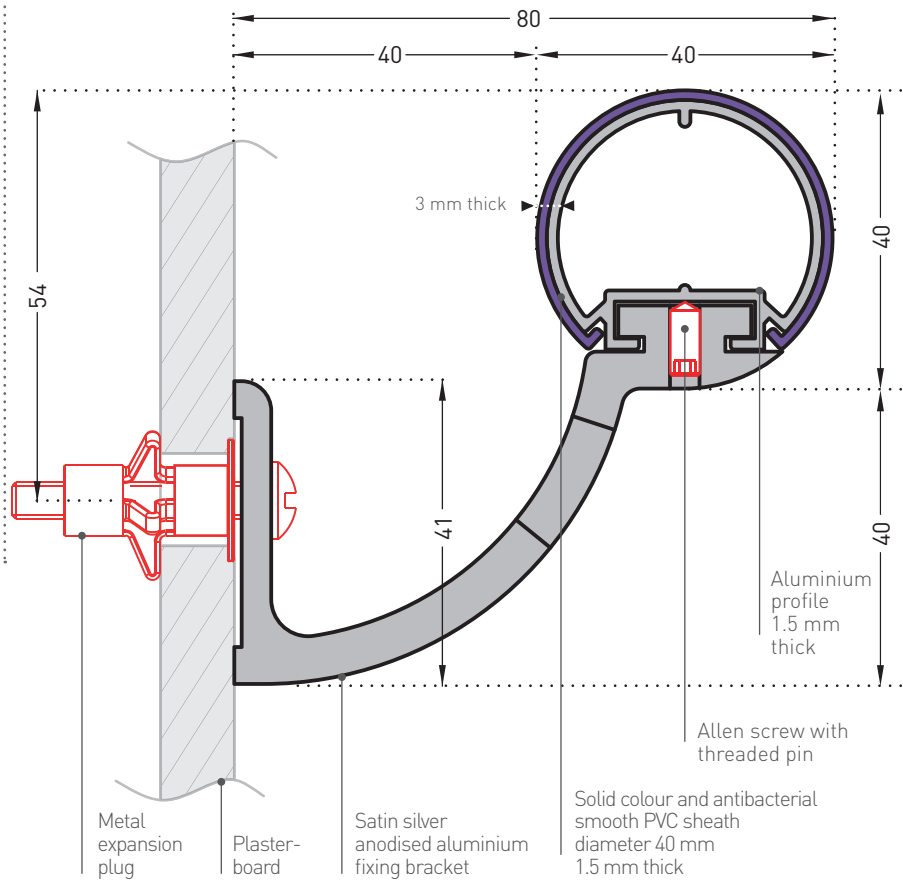


DESCRIPTION

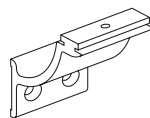
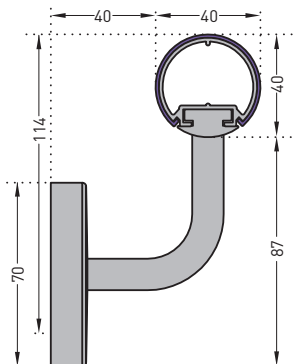
- Model: Escort - PVC sheathed - round handrail
- Diameter: 40 mm
- Length: 4 m
- Overall projection: 80 mm (or 90 mm on request)
- Stand-off from wall: 40 mm (or 50 mm on request)
- Material: antibacterial and Bs2d0 fire-rated PVC, solid colour, on continuous aluminium profile, bactericidal joint
- Fixing: on self-locking brackets
 - perforated, bugled or full, 2-point fixing in satin silver anodised aluminium
 - swan-neck with 70 mm rose, 3 point fixing in brushed stainless steel screwed to wall at 1.20 m centres (0.80 m centres in heavy traffic areas and on light partitions like plasterboard)
- Colours: 39
 - 28 in stock
 - 11 on order



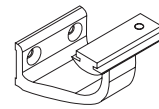
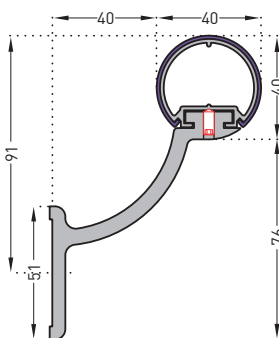
80 mm perforated
self-locking aluminium bracket satin silver anodised
(overall projection 80 mm)



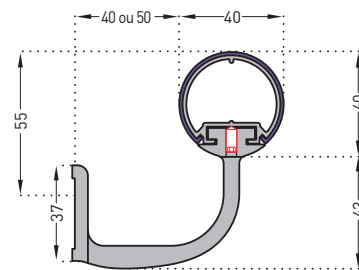
Swan-neck with 70 mm rose
self-locking brushed stainless steel bracket
(overall projection 80 mm)



60 mm full
self-locking aluminium bracket
satin silver anodised
(overall projection 80 mm)



55 mm bugled
self-locking aluminium bracket
satin silver anodised
(overall projection 80 mm or 90 mm on request)



Specifications and section drawings on our website www.spm-international.com

bimobject BimObject in Revit and Archicad