



# SOLUTIONS FOR PANELS

## THERMOWELDING

### HOT WELDED JOINTS

#### APPLICATIONS

SPM Decochoc, Decowood, Decotrend, Decoclean and Decochoc H<sub>2</sub>O panels are made of antibacterial PVC. They are easy to clean and can be installed:

- from floor to ceiling with welded joints,
- in right or rounded angles, irrespective of the degrees or the radius,
- above the coverings of PVC floor coverings.

For a reliable watertightness, SPM has a range of welding rods matched to the colours of SPM profiles, allowing you to thermoweld one panel to another.

SPM and GERFLOR also provide a global solution for absolute watertightness and reliable junction: hot welded joints between the coving of the floor covering and the wall panel.

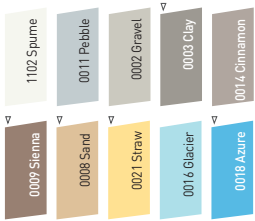
This system is optimised to work with the exclusive GERFLOR Corner System, and is particularly recommended for operating rooms and other rooms requiring a high level of hygiene.

#### DESCRIPTION

- Model: SPM welding rod
- Diameter: 4 mm
- Length: 100 m roll
- Material: flexible PVC
- Fixing: hot welded with welding machine
- Colours:
  - 39 for Decochoc
  - 5 in stock and 5 on order for Decochoc H<sub>2</sub>O



Decochoc H<sub>2</sub>O | 10 colours



Decochoc | 39 colours



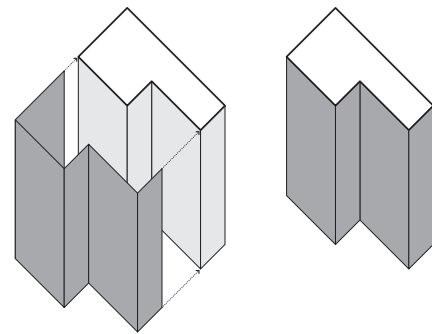
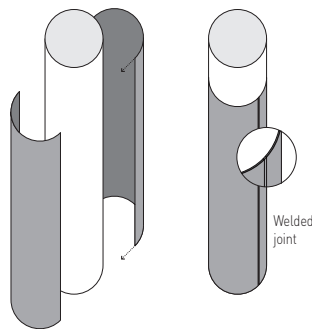
▼ Colours on order

## THERMOFORMING

PILLAR AND DOOR FRAME PROTECTION  
WITH DECOCHOC, DECOWOOD AND DECOTREND PANELS

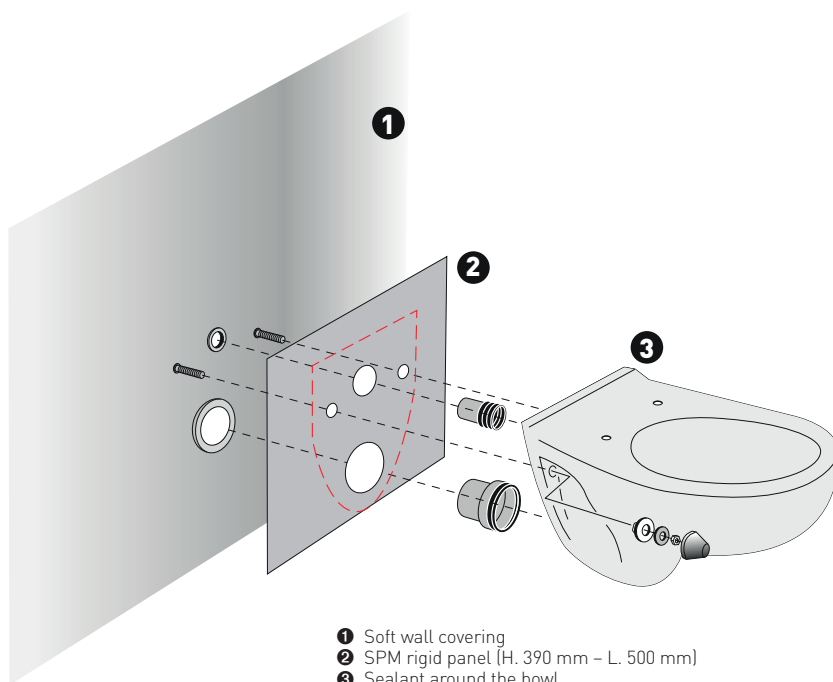
### APPLICATIONS

In order to adapt to all building layouts, Decochoc, Decowood and Decotrend panels can be thermoformed to cover round pillars (diameter less than 800 mm) and complex door frames that can not be protected with simple L or U bends.



## DECOBOWL

REINFORCEMENT AND PROTECTION SOLUTION  
FOR FIXING WALL HUNG TOILET BOWL ON SOFT WALL COVERING



- 1 Soft wall covering
- 2 SPM rigid panel (H. 390 mm - L. 500 mm)
- 3 Sealant around the bowl

### APPLICATIONS

For a wall hung toilet bowl, without specific reinforcement, there may be a risk of blistering on the wall covering at the junction between the bowl and the support plasterboard due to the tightening of the fasteners and the repeated sagging. The interposition of a SPM rigid panel, Decochoc, Decoclean, Decowood or Decotrend, is a solution of reinforcement of the rigidity of the plasterboard which can enable to reduce that risk.

Specifications and section drawings on our website [www.spm-international.com](http://www.spm-international.com)



**bimobject** BimObject in Revit and Archicad