

INSTALLATION PROCEDURES

spm-international.com



WALL PROTECTIONS
& HANDRAILS

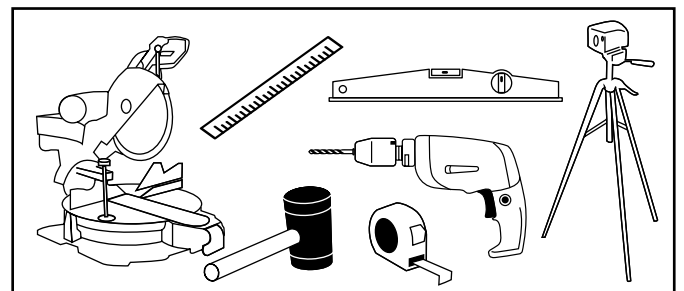
SpM[®]
wall protection

CORNER PROTECTORS AND INDIVIDUAL PROTECTION

1. TOOLS REQUIRED	28
2. CORNER PROTECTORS ON ALUMINIUM CORE: CORNEA, CORNEAFLEX AND COMBO'CORNER	29/31
2.1 Installation procedure for CORNEA and COMBO'CORNER corner protectors	29
2.2 Installation procedure for CORNEAFLEX corner protectors	31
3. ADHESIVE CORNER PROTECTORS: PROFILA 30/50, PROTECTA 2, COMBO'LINE 25/50/75, PROFIL'INOX 30/50, LINEA'FLEX AND COMBO'FLEX	32
3.1 Installation procedure for corner protectors: PROFILA 30/50, PROTECTA 2, COMBO'LINE 25/50/75 and PROFIL'INOX 30/50	32
3.2 Installation procedure for LINEA'FLEX corner protectors.....	32
3.3 Installation procedure for COMBO'FLEX corner protectors.....	33
4. ELASTO'FLEX CORNER PROTECTORS	34
4.1 Installation procedure for ELASTO'FLEX corner protectors	34
5. INDIVIDUAL PROTECTION: SAFY'CORNER AND SAFY'DOOR	34
5.1 Installation procedure for SAFY'CORNER	34
5.2 Installation procedure for SAFY'DOOR	35
6. MAINTENANCE	35

1. TOOLS REQUIRED

- Mitre saw with carbide blade for aluminium and PVC
E.g. FESTOOL KS 88E saw – Blade reference TF52
- Measuring tape
Reference: ROMUS 93290 or 93283
- Level and straight edge
- Electric drill and screwdriver
- Mallet
Reference: ROMUS 94959
- Laser



INSTALLING CORNER PROTECTORS ON AN ALUMINIUM CORE

2. CORNER PROTECTORS ON ALUMINIUM CORE: CORNEA, CORNEAFLEX AND COMBO'CORNER

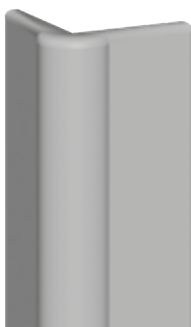
- SPM CORNEA, CORNEAFLEX and COMBO'CORNER corner protectors consist of a PVC profile mounted on an aluminium core.
- The product is finished with endcaps at the top and bottom of the protector.
- These protectors must be screwed to the wall.

The table below shows the fixing techniques to be used for the main types of wall surface found in the building industry.

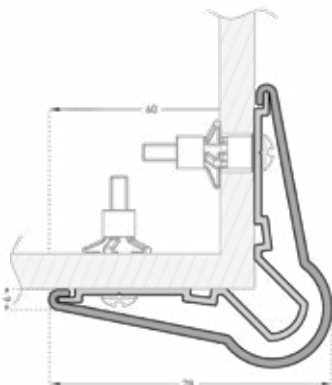
TYPE OF WALL	FIXING PROCEDURE
WALLS WITH WOODEN STUDS	Woodscrews, 5 x 40 mm
METALLIC STRUCTURES	Self-tapping screws, 5 x 40 mm
PLASTERBOARD (SINGLE SKIN), HOLLOW BRICK, HOLLOW BREEZE BLOCK	Metal expansion plugs, 5 x 50 mm
PLASTERBOARD (DOUBLE SKIN)	Metal expansion plugs, 5 x 50 mm
CONCRETE WALLS	FISCHER-type plugs, 6 mm diameter for 5 x 40 mm screws
SOLID BRICK AND OLD WALLS	FISCHER-type plugs, 8 mm diameter for 5 x 40 mm screws
HOLLOW PLASTER TILES, CELLULAR CONCRETE	FISCHER-type plugs, 8 mm diameter for 5 x 40 mm screws

2.1 INSTALLATION PROCEDURE FOR CORNEA AND COMBO'CORNER CORNER PROTECTORS

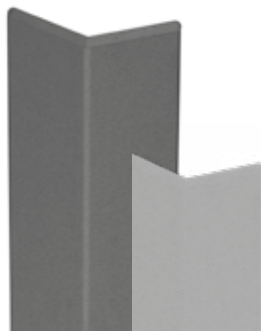
CORNEA



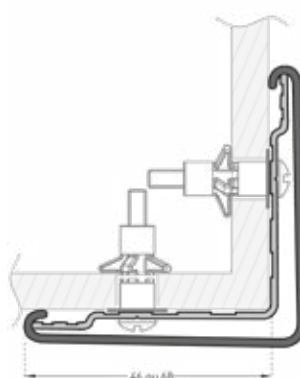
Technical drawing
CORNEA



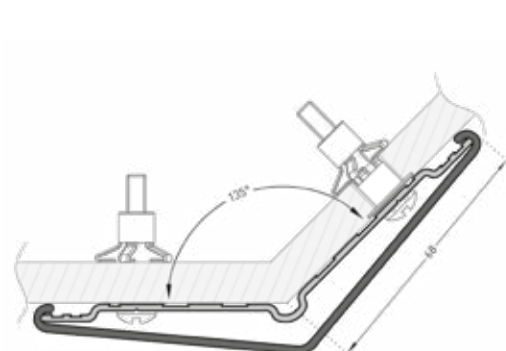
COMBO'CORNER



Technical drawing
COMBO'CORNER 50 and 75



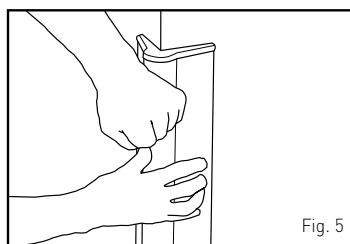
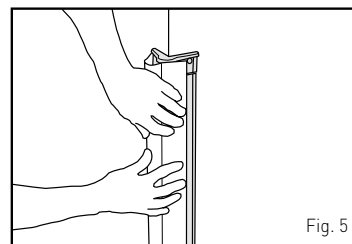
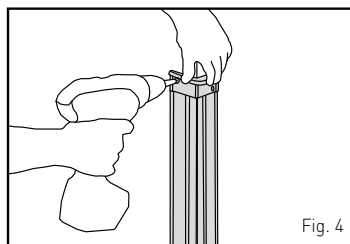
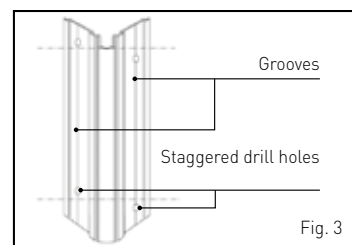
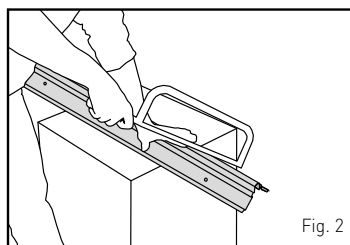
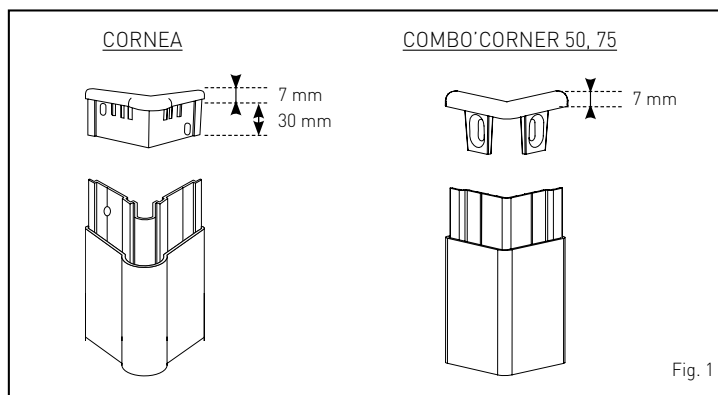
Technical drawing
COMBO'CORNER 75-135°



CORNER PROTECTORS

INSTALLING CORNER PROTECTORS ON ALUMINIUM CORE

- Calculate the length of the aluminium core to be cut while subtracting the dimensions of the endcaps (top and bottom) from the overall length (see Fig. 1).
- Cut the aluminium core using a mitre saw or hacksaw (see Fig. 2).
- Drill two 5 mm holes through the aluminium core at each end.
- Drill the holes at a distance of 20 mm from the edge of the core.
- Drill holes in the aluminium core along the grooves and stagger the holes for the fixing screws (20 cm between each hole) (see Fig. 3).
- Place the endcaps against the wall with the aluminium core.
- Mark the endcap and aluminium core screw holes using a pencil.
- Drill the wall, fit the plugs and screw to the wall, starting with the lower endcap, the aluminium core and then the upper endcap (see Fig. 4).
- Cut the PVC profile. You are advised to use a template beneath the profile to ensure a straight cut and avoid deforming the profile.
- Finally, fit the PVC profile by positioning one side on the aluminium core and the edges of the endcaps. Then clip the other side of the PVC profile by tapping it home (see Fig. 5).
- Remove the protective film.



INSTALLING CORNER PROTECTORS ON ALUMINIUM CORE

2.2 INSTALLATION PROCEDURE FOR CORNEAFLEX CORNER PROTECTORS

CORNEAFLEX



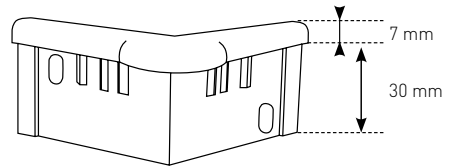
Installing on aluminium core (135° angle)

- Calculate the length of the aluminium core to be cut while subtracting the dimensions of the endcaps (top and bottom) from the overall length.
- Cut the aluminium core using a mitre saw or hacksaw.
- Place the endcaps against the wall with the aluminium core.
- Mark the endcap and aluminium core screw holes using a pencil.
- Drill the wall, fit the plugs and screw to the wall, starting with the lower endcap, the aluminium core and then the upper endcap.
- Cut the PVC profile. You are advised to use a template beneath the profile to ensure a straight cut and avoid deforming the profile.
- Align the PVC profile with the endcap and insert the first wing of the PVC profile onto the aluminium core **1** and then clip onto the first snap attachment **2**. Insert the second wing of the PVC profile onto the aluminium core **3** and then clip onto the second snap attachment **4**.
- Remove the protective film.

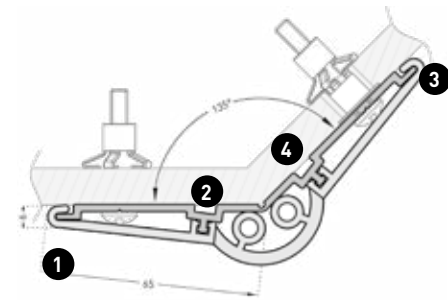
Installing on double aluminium cores (variable angle 80° to 135°) - floor-to-ceiling

- Calculate the length of the corner that needs protecting.
- Drill two 5 mm holes through the aluminium core at each end.
- Drill the holes at a distance of 20 mm from the edge of the core.
- Drill holes in the aluminium core along the grooves and stagger the holes for the fixing screws (20 cm between each hole)
- Place one of the cores against the wall and mark the fixing holes.
- Drill, plug and screw the core to the wall.
- Then clip the PVC profile to both cores and position the whole assembly against the wall.
- Mark out the position of the second core.
- Remove the assembly. Replace the core against the marks and mark out the fixing holes.
- Drill, plug and screw the second core to the wall.
- Insert the first wing of the PVC profile onto the aluminium core **1** and then clip onto the first snap attachment **2**. Insert the second wing of the PVC profile onto the aluminium core **3** and then clip onto the second snap attachment **4**.
- Remove the protective film.

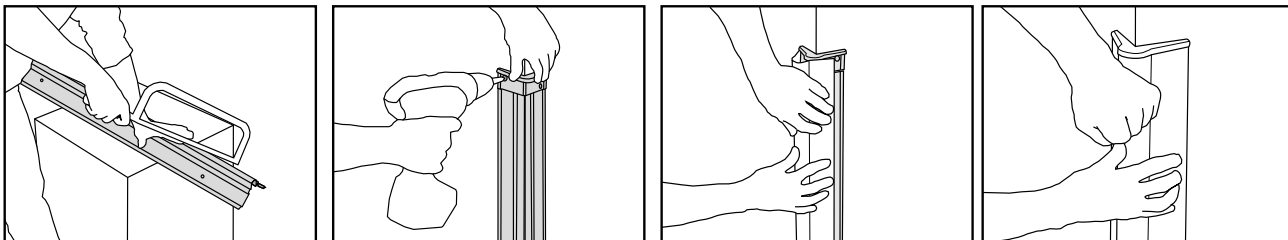
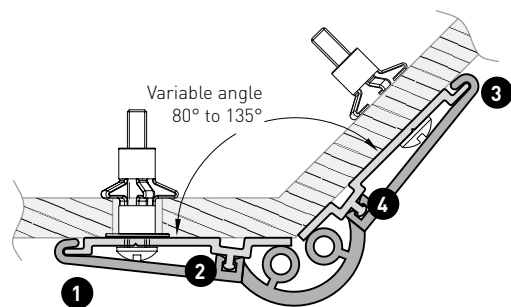
135° ENDCAP



Technical drawing 135° angle CORNEAFLEX



Technical drawing Variable-angle CORNEAFLEX

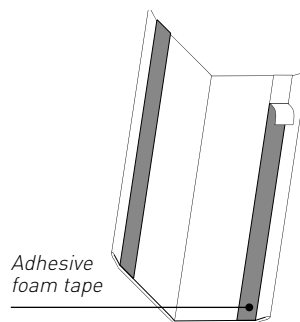


CORNER PROTECTORS

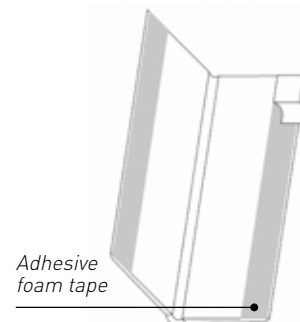
INSTALLING ADHESIVE CORNER PROTECTORS

3. ADHESIVE CORNER PROTECTORS: PROFILA 30/50, PROTECTA 2, COMBO'LINE 25/50/75, PROFIL'INOX 30/50, LINEA'FLEX AND COMBO'FLEX

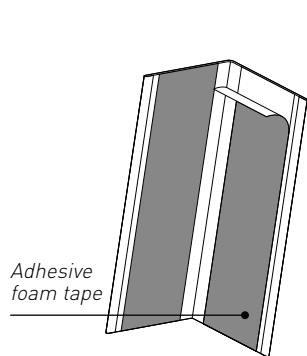
- SPM PROFILA 30/50, PROTECTA 2, COMBO'LINE 25/50/75, LINEA'FLEX and COMBO'FLEX corner protectors consist of a 2 mm thick PVC profile.
- SPM PROFIL'INOX 30/50 corner protectors consist of a 1 mm thick stainless steel profile.
- These protections are fixed directly to the wall using SPM adhesive sealant.
- Adhesive foam tapes are laid along the edges to temporarily hold the protection in place while the sealant dries (tack time). The adhesive foam tapes are in no way designed to provide permanent support.



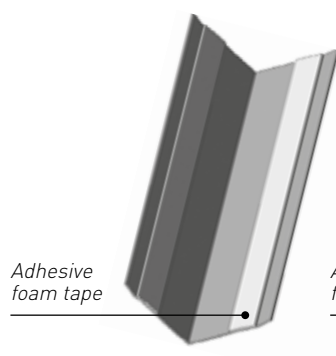
PROFILA 30/50



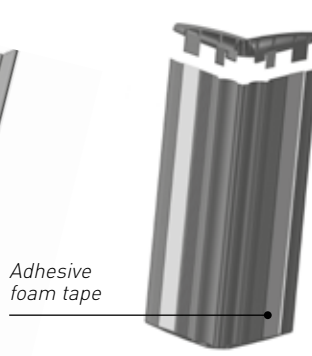
PROTECTA 2



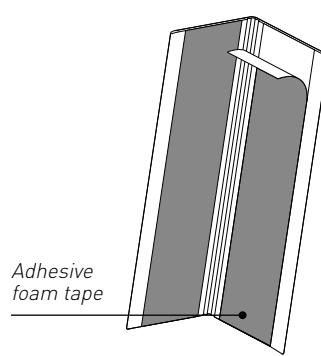
COMBO'LINE 25/50/75



PROFIL'INOX 30/50



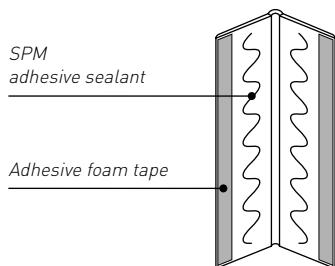
LINEA'FLEX



COMBO'FLEX

■ 3.1 INSTALLATION PROCEDURE FOR CORNER PROTECTORS: PROFILA 30/50, PROTECTA 2, COMBO'LINE 25/50/75 AND PROFIL'INOX 30/50

- Apply the SPM adhesive sealant to the surface of the PVC profile as shown in the diagram below:



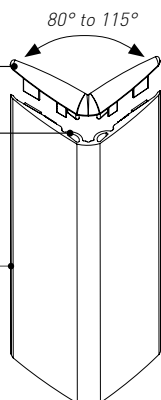
- Remove the protective film from the adhesive foam tapes.
- Place the protection against the wall.
- Press down hard (with a roller) all across the outer surface of the PVC profile.
- Clean off any excess sealant with a rag and hot water.
- Remove the protective film.

■ 3.2 INSTALLATION PROCEDURE FOR LINEA'FLEX CORNER PROTECTORS

Solid colour smooth PVC
variable angle endcap

Flexible PVC impact-absorbing
dampers

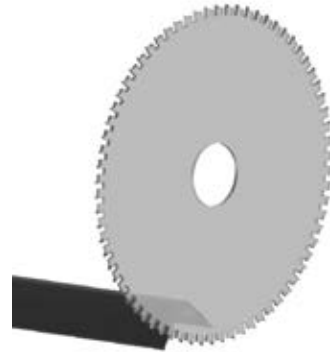
Smooth PVC profile,
1 to 3 mm thick



INSTALLING ADHESIVE CORNER PROTECTORS

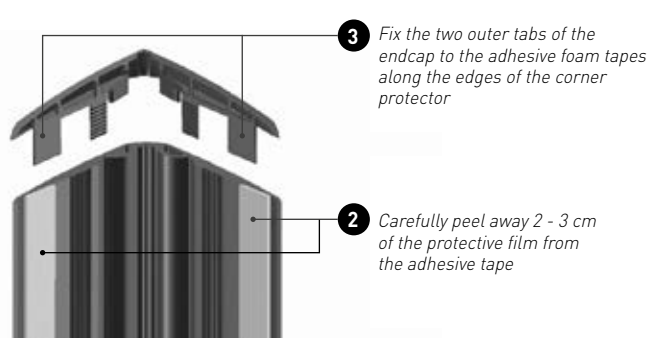
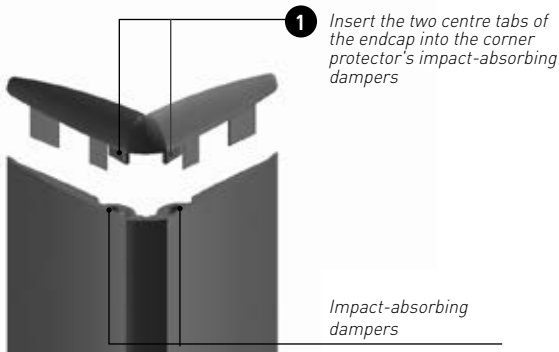
Cutting the profile

- The corner protector profile can be cut with a mitre saw. Our recommendation is to use a fine-toothed carbide blade for aluminium and PVC.
- To ensure a straight cut and avoid splintering the surface, you are advised to use a template.

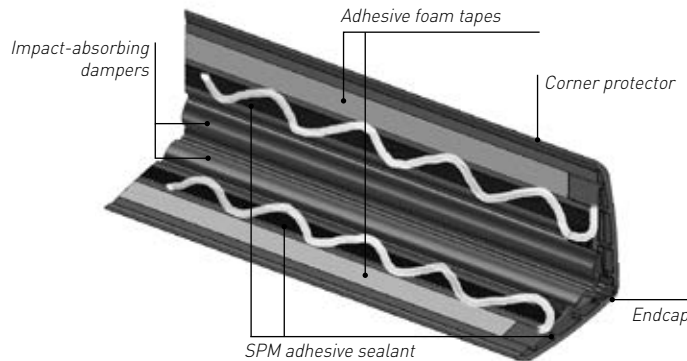


Assembling the endcap

- Insert the two centre tabs of the endcap into the corner protector's impact-absorbing dampers.
- Push the endcap into the dampers and make sure that it is securely in place.
- Carefully peel away the protective film from the adhesive tape and fix the two outer tabs of the endcap onto the adhesive.



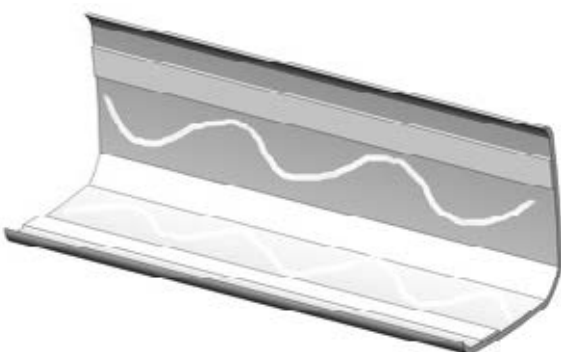
- Apply the SPM adhesive sealant to the serrated section of the profile as shown in the diagram opposite.
- Completely remove the protective film from the adhesive foam tapes.
- Place the protection against the wall.
- Press down hard (with a roller) all across the outer surface of the PVC profile.
- Clean off any excess sealant with a rag and hot water.
- Remove the protective film.



3.3 INSTALLATION PROCEDURE FOR COMBO'FLEX CORNER PROTECTORS

Cutting the profile

- The corner protector profile can be cut with a mitre saw. Preferably use a fine-toothed carbide blade for aluminium and PVC.
- To ensure a straight cut and avoid splintering the surface, you are advised to use a template.
- Apply the SPM adhesive sealant to the serrated section of the profile as shown in the diagram below.



- Completely remove the protective film from the adhesive foam tapes.
- Place the protector against the wall.
- Press down hard (with a roller) all across the outer surface of the PVC profile.
- Clean off any excess sealant with a rag and hot water.

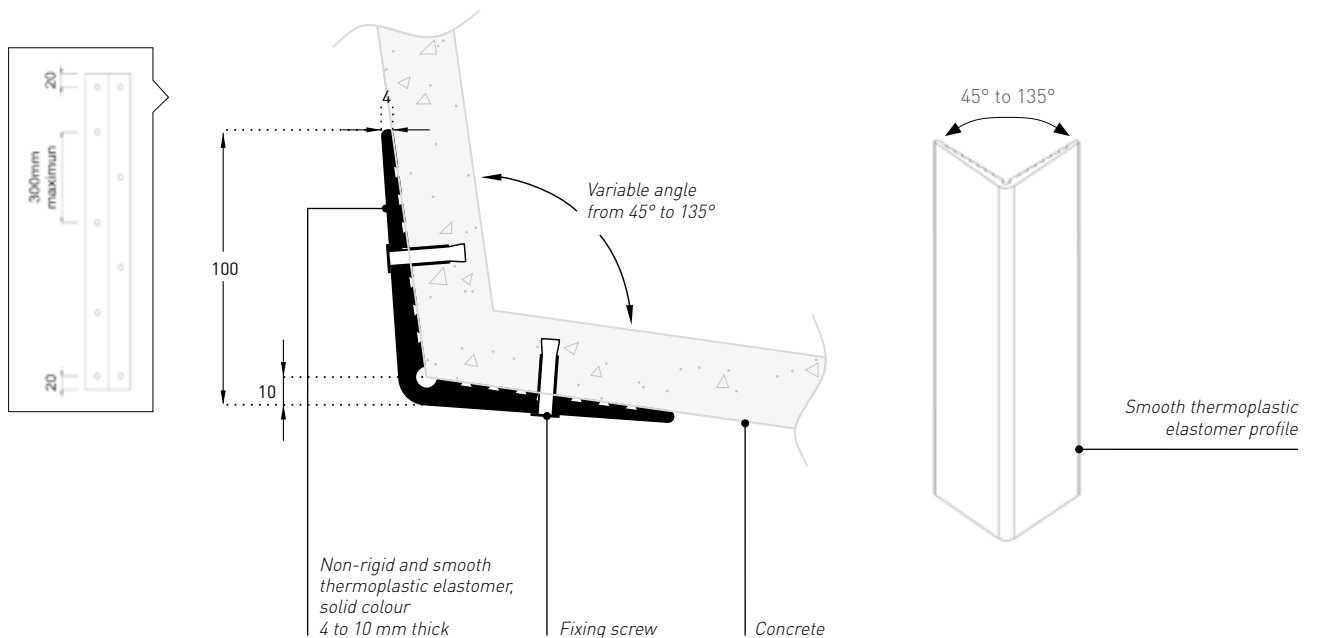
CORNER PROTECTORS AND INDIVIDUAL PROTECTION

INSTALLING ELASTO'FLEX AND SAFY'CORNER

4. ELASTO'FLEX CORNER PROTECTORS

4.1 INSTALLATION PROCEDURE FOR ELASTO'FLEX CORNER PROTECTORS

- Cut the corner protector to the required length. Use a circular saw or a wide-blade knife while constantly lubricating with water or use a guillotine.
- Drill a 7 mm diameter hole in the profile at 20 mm from each edge for the screws (see diagram).
- Repeat approximately every 300 mm while ensuring that the holes are staggered.
- Use the corner protector as a template to mark and drill into the wall
- Choose the appropriate plug for the type of wall
- Fix to the wall using M5 dome-head screws fitted with washers

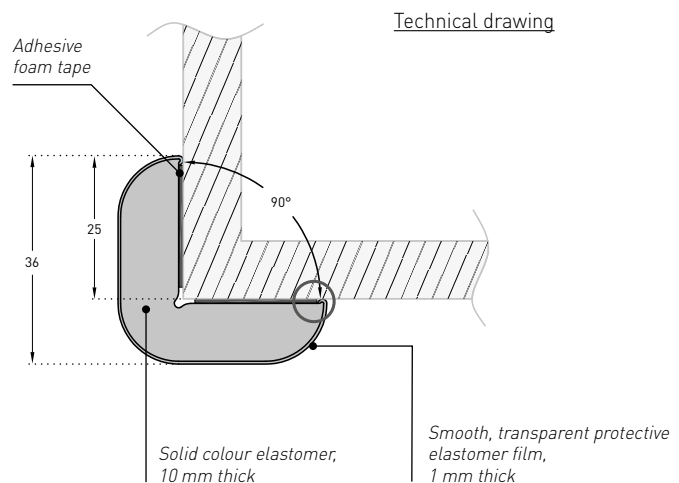


5. INDIVIDUAL PROTECTION: SAFY'CORNER AND SAFY'DOOR

5.1 INSTALLATION PROCEDURE FOR SAFY'CORNER



- Completely remove the protective film from the adhesive tapes.
- Place the protection against the wall.
- Press down hard (with a roller) all across the outer surface of the profile.



INSTALLING SAFY'DOOR

■ 5.2 INSTALLATION PROCEDURE FOR SAFY'DOOR

- The product comprises two elastomer profiles that clip onto pre-drilled aluminium cores.
- Each elastomer profile snaps onto two separate cores.
- In some cases, the protector may reduce the opening angle of the door.

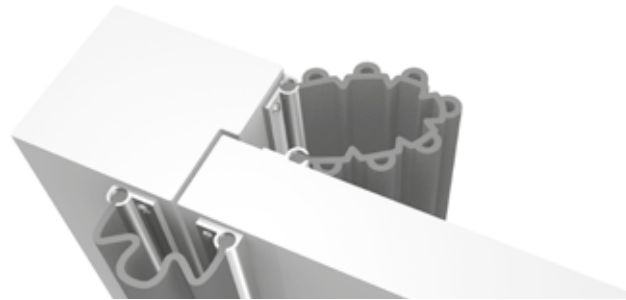
1. Keep the door closed.
2. Both assemblies must be positioned on the rabbet side and the hinge side as shown in the diagram opposite.

Positioning and fixing the aluminium cores:

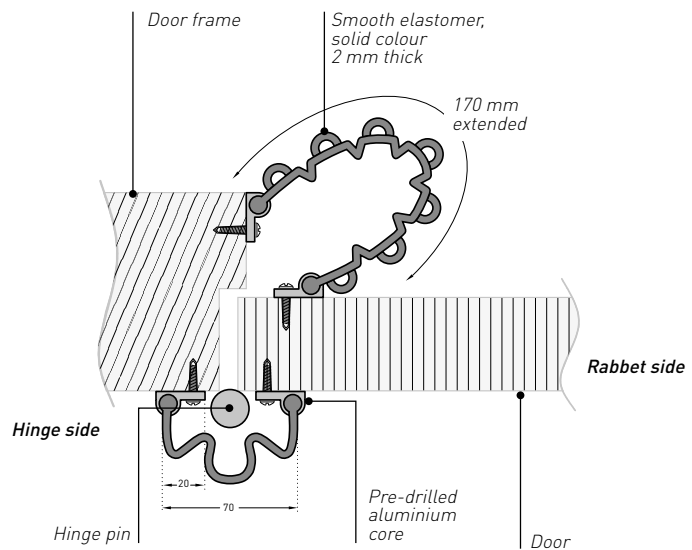
3. Ensure that the spacing of the cores matches the dimensions of the elastomer profile. If the cores are spaced too far apart, it will be hard to install the elastomer profile.
4. Make sure that the position of the assembly does not impede the door from opening and closing.
5. Once the cores are positioned level on the door frame and door, fix the cores using screws that are suited to the type of door (woodscrews / metal screws) through the pre-drilled holes along the aluminium cores.

Placing the elastomer profile:

6. Slide the elastomer profile from top to bottom into the groove of the aluminium core.
7. Once positioned, secure the elastomer profile in the groove by slightly squeezing the lower end of the aluminium core.



Technical drawing



6. MAINTENANCE

Do not leave products exposed to sunlight. Excessive increases in temperature could lead to changes in colour and/or deform the product.

The following products are recommended for cleaning:

- | | | |
|-----------|---------------------|--|
| - Ammonia | - Isopropyl alcohol | - Standard cleaning products, such as Bioquell and Anios |
| - Ethanol | - Essence F cleaner | |

It is essential to use solvents that do not leave any greasy or dry residue.

- Products **MUST NOT BE CLEANED** with a scouring pad, such as a Scotch-Brite pad.

DO NOT USE:

- White spirit
- Acetone
- Petrol
- Paint thinners

If using non-recommended products, test on an offcut. Reactions may differ depending on the colour of the product and the solvents used.

spm-international.com

PANELS HANDRAILS PROTECTION RAILS CORNER PROTECTION

ASIA: Gerflor Asia

Tel: +86 21 6357 8818 - Fax: +86 21 6357 8998
e-mail: gerflorasiasia@gerflor.com

AUSTRALIA/NEW ZEALAND: Gerflor Australasia Pty. Ltd

Australia Tel: 1 800 060 785 - New Zealand Tel: 0 800 630 119
e-mail: gerflor@gerflor.com.au

AUSTRIA/SWITZERLAND: Webamed-Spm GmbH

Tel: +49 2351 954550 - Fax: +49 2351 954580
e-mail: info@webamed-spm.de - webamed-spm.de

BELGIUM/LUXEMBURG: Gerflor Benelux

Tel: +32 (0)3 766 42 82 - Fax: +32 (0)3 766 29 14
e-mail: gerflorbel@gerflor.com

CANADA: Gerflor International

Tel: +1 438 333 0752 - Fax: +1 438 380 5425
e-mail: gerflorcanada@gerflor.com

CHINA: Gerflor floorings (China) Co. Ltd.

Tel: +86 21 6357 8818 - Fax: +86 21 6357 8998
e-mail: gerflorchina@gerflor.com

FINLAND: Gerflor Oy

Tel: +358 (0) 10 6 17 5150 - Fax: +358 (0) 10 617 5152
e-mail: info@gerflor.fi

FRANCE: SPM International

Tel: +33 (0)5 34 39 41 00 - Fax: +33 (0)5 34 39 40 10
e-mail: export@spm.fr

GERMANY: Webamed-Spm GmbH

Tel: +49 2351 954550 - Fax: +49 2351 954580
e-mail: info@webamed-spm.de - webamed-spm.de

ITALY: Gerflor S.p.A.

Tel: +39 02 90 40 10 - Fax: +39 02 90 42 74 84
e-mail: gerfloritalia@gerflor.com

LATIN AMERICA (Brazil): Gerflor América Latina

Tel: +55 11 38 48 20 20
e-mail: gerflor@gerflor.com.br

MIDDLE EAST: Gerflor Middle East

Tel: +966 13 847 1779 - Fax: +966 13 847 1781
e-mail: info@gerflorme.com

NETHERLANDS: Gerflor Benelux

Tel: +31 (0)40 266 17 00 - Fax: +31 (0)40 257 46 89
e-mail: gerflornl@gerflor.com

OTHER COUNTRIES: SPM International

Tel: +33 (0)5 34 39 41 00 - Fax: +33 (0)5 34 39 40 10
e-mail: export@spm.fr

POLAND: Gerflor Polska Sp z o.o

Tel: +48 61 823 34 01 - Fax: +48 61 823 34 33
e-mail: info@gerflor.pl

PORTUGAL: Gerflor Iberia, SA

Tel: +351 21 843 95 49 - Fax: +351 21 846 55 44
e-mail: gerflorportugal@gerflor.com

RUSSIA: Gerflor zao

Tel./Fax: + 7 495 785 23 71
e-mail: gerflorrussia@gerflor.ru

SCANDINAVIA: Gerflor Scandinavia a.s.

Tel: +47 64 95 60 70 - Fax: +47 64 95 60 80
e-mail: gerflorscand@gerflor.no

SPAIN: Gerflor Iberia, SA

Tel: +34 91 653 50 11 - Fax: +34 91 653 25 85
e-mail: gerfloriberia@gerflor.com

USA: Gerflor North America

Tel: 877 GERFLOR (437 3567) - Fax: 847 394 3753
e-mail: info@gerflorusa.com



Committed to sustainable development

A company of **Gerflor**

Spm[®]
wall protection