

INSTALLATION PROCEDURES

spm-international.com



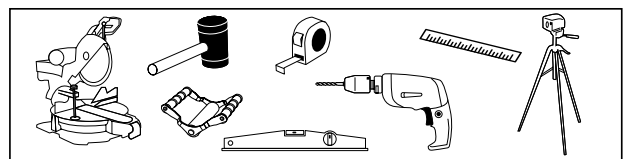
WALL PROTECTIONS
& HANDRAILS

PROTECTION RAILS AND PLATES

1. TOOLS REQUIRED	4
2. IMPACT AND LINEA'PUNCH NEO PROTECTION RAILS	4
2.1 Installation procedure for IMPACT and LINEA'PUNCH NEO protection rails	5
2.1.1 Preparation and cutting method	6
2.1.2 Fixing the protection rails.....	6
2.2 Joining IMPACT and LINEA'PUNCH NEO protection rails.....	8
3. COMBO'PUNCH PROTECTION RAILS	9
3.1 Installation procedure for COMBO'PUNCH 100D protection rails	9
3.2 Installation procedure for COMBO'PUNCH 200/125 protection rails	10
4. COMBO'BEDKIT PROTECTION RAILS	12
4.1 Installation procedure for COMBO'BEDKIT protection rails	12
5. DECOBOWL PLATE	12
5.1 Installation procedure for DECOBOWL plate	12
6. CONTACT AND COMBO'CLAD PROTECTION PLATES	13
6.1 Installation procedure for CONTACT and COMBO'CLAD protection plates.....	13
7. ELASTO'PUNCH PROTECTION RAILS	14
7.1 Installation procedure for ELASTO'PUNCH protection rails	14
8. MAINTENANCE	14

1. TOOLS REQUIRED

- Mitre saw with carbide blade for aluminium and PVC
- Mallet
Reference: ROMUS 94959
- Measuring tape and pencil
Reference: ROMUS 93290
- Laser level
- Level and ruler
- Electric drill and screwdriver
- Pressure roller
Reference: SPM OUTRM004



2. IMPACT AND LINEA'PUNCH NEO PROTECTION RAILS

- SPM IMPACT and LINEA'PUNCH NEO wall protection rails consist of a PVC profile mounted on aluminium rails or brackets.
- Protection rails are finished with end pieces.
- These protections must be screwed to the wall.

The table below shows the fixing techniques to be used for the main types of wall surface found in the building industry.

TYPE OF WALL	FIXING PROCEDURE
WALLS WITH WOODEN STUDS	Woodscrews, 5 x 40 mm
METALLIC STRUCTURES	Self-tapping screws, 5 x 40 mm
PLASTERBOARD - SINGLE SKIN AND DOUBLE SKIN (*)	Self-tapping expansion plugs or metal expansion plugs 5-mm diameter countersinking screws (length according to wall type)
HOLLOW BRICK, HOLLOW BREEZE BLOCK, HOLLOW PLASTER TILES (**)	Metal expansion plugs
CONCRETE WALLS	FISCHER-type plugs, 6 x 35 mm diameter for 5 x 50 mm screws
SOLID BRICK AND OLD WALLS	FISCHER-type plugs, 6 x 35 mm diameter for 5 x 50 mm screws
CELLULAR CONCRETE	FISCHER-type plugs, 6 x 35 mm diameter for 5 x 50 mm screws

(*) If the area is subject to heavy traffic, add an extra wood or metal stud in the partition.

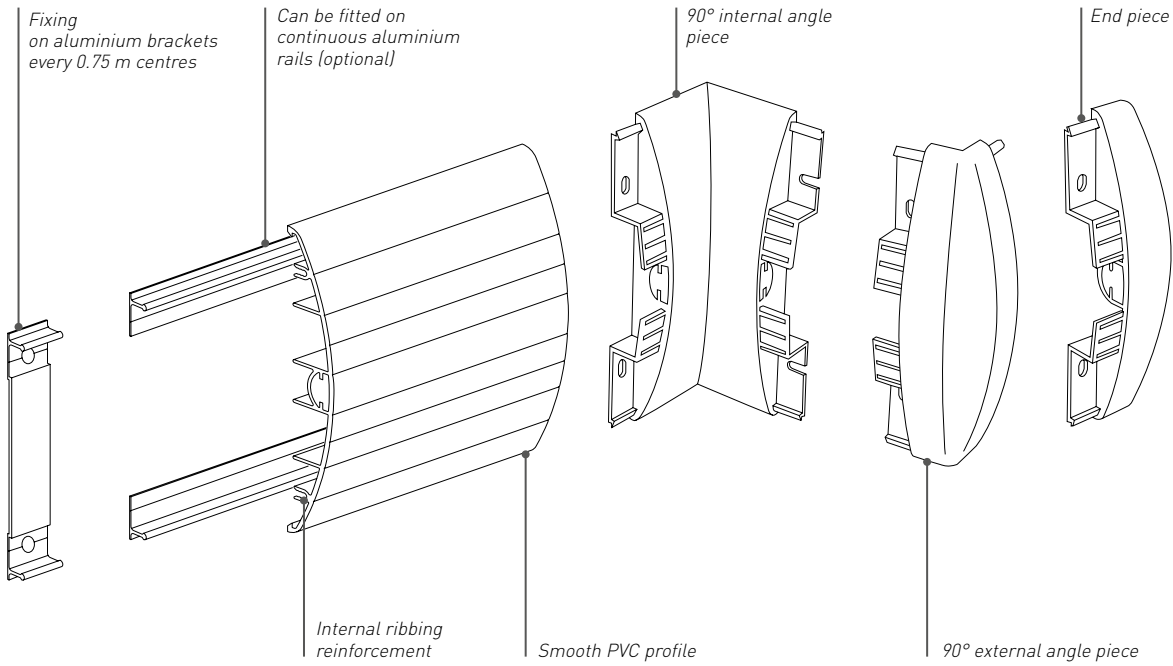
(**) If using Molly-type metal plugs, remove the head of the plug with a plier.

IMPORTANT: The information in this document is valid from 1 June 2021 and is subject to change without prior notice. We are continuously making technical improvements to our products; before starting any work, our customers should check with us that this document is still in force.

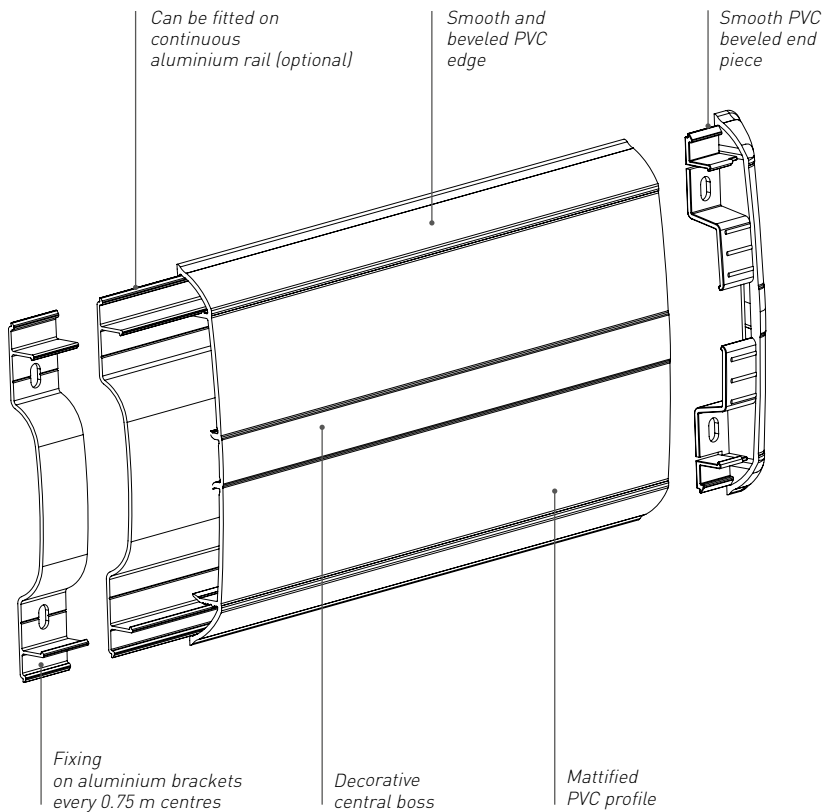
INSTALLING IMPACT AND LINEA'PUNCH NEO

2.1 INSTALLATION PROCEDURE FOR IMPACT AND LINEA'PUNCH NEO PROTECTION RAILS

IMPACT



LINEA'PUNCH NEO



PROTECTION RAILS AND PLATES

INSTALLING IMPACT AND LINEA'PUNCH NEO

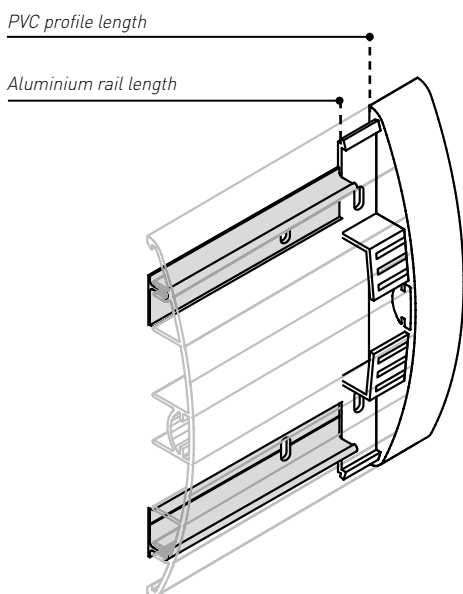
2.1.1. PREPARATION AND CUTTING METHOD

- When the profiles have to be cut in advance, the table below shows the dimensions that need to be subtracted from the wall dimensions for cutting the PVC profile. For LINEA'PUNCH NEO, you are advised to use a batten to prevent the profile from bending and thereby ensure a straight cut.

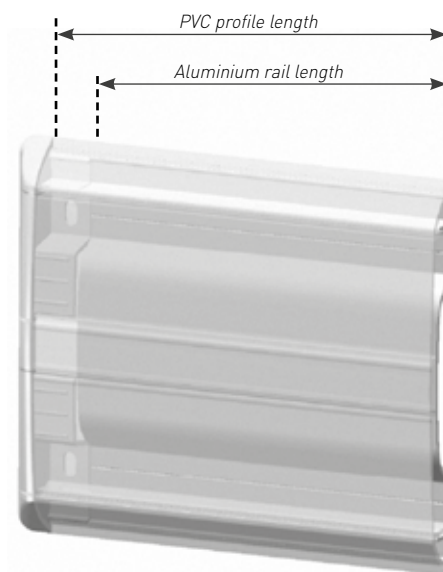


Caution: the lengths of the aluminium rail and the PVC profile are not the same.

IMPACT



LINEA'PUNCH NEO



Length to be subtracted for each accessory (for PVC profiles)

PROTECTION RAILS	END PIECE	EXTERNAL ANGLE PIECE	INTERNAL ANGLE PIECE
IMPACT 200	50 mm	25 mm	65 mm
IMPACT 120	50 mm	20 mm	65 mm
IMPACT 60	50 mm	20 mm	65 mm
LINEA'PUNCH NEO	16.5 mm	-	-

- The length of the aluminium rail is then calculated by subtracting 40 mm from the length of the PVC profile.

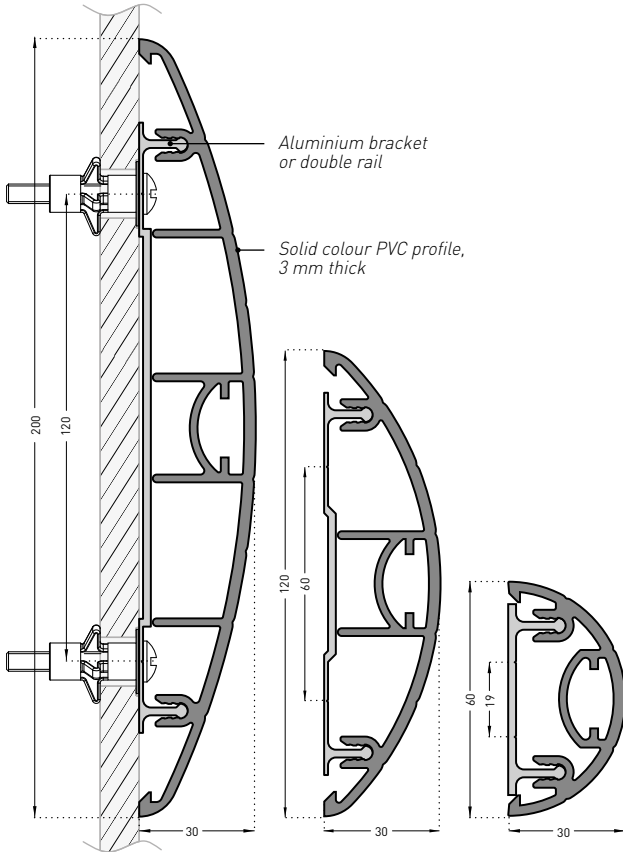
2.1.2. FIXING THE PROTECTION RAILS

	LOW LEVEL PROTECTION	MID LEVEL PROTECTION
RECOMMENDED HEIGHT OF PROTECTION (RAIL CENTRELINER)	200 mm above floor level	800 mm above floor level
Use a pencil or laser level to draw upper and lower drilling centrelines along the wall.		
IMPACT 200	260 and 140 mm	860 and 740 mm
IMPACT 120	230 and 170 mm	830 and 770 mm
IMPACT 60	209.5 and 190.5 mm	809.5 and 790.5 mm
LINEA'PUNCH NEO	257 and 143 mm	857 and 743 mm

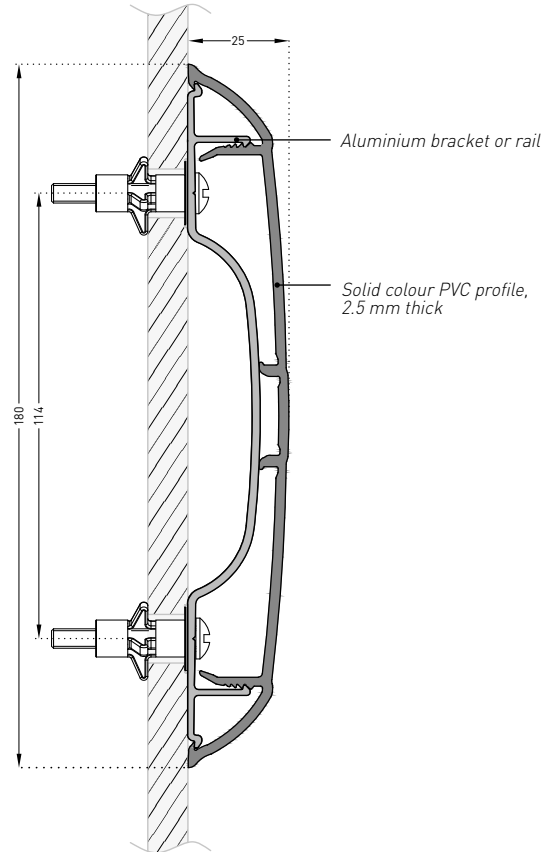
- To ensure that protection rails are fitted tightly against the wall, plug heads can either be embedded in the wall or removed to prevent excess thickness between the bracket (or rail) and the wall.

INSTALLING IMPACT AND LINEA'PUNCH NEO

IMPACT



LINEA'PUNCH NEO



- Place the end pieces and internal / external angle pieces over the centrelines. Check that they are perpendicular to the floor and then mark their pre-drilled hole positions onto the wall.
- Drill into the wall, fit the plugs and then fix the end pieces and angle pieces onto the wall (see Fig. 1).

Option 1: Fixing on aluminium brackets

- Place the aluminium brackets over the centrelines. Place the first aluminium bracket approximately 20 mm from the end piece (or angle piece) and then space the brackets at intervals of no more than 750 mm. Check that they are perpendicular to the floor and then mark their pre-drilled hole positions onto the wall. Drill into the wall, fit the plugs and then fix all the aluminium brackets onto the wall (see Fig. 2).

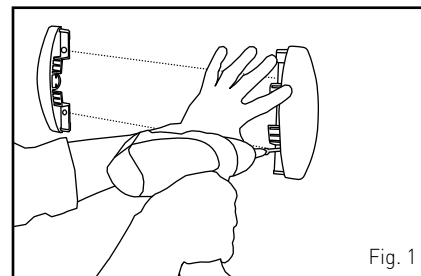


Fig. 1

Option 2: Fixing on IMPACT 120 and 200 double aluminium rails

- Measure the length between each end piece or angle piece and then cut the rail using a mitre saw. Drill through the rail along the grooves, starting at 20 mm from the edge and then spacing the holes at no more than 750 mm apart. Place the rails over the centrelines on the wall and then mark each hole on the wall. Drill into the wall, fit the plugs and then fix the rails onto the wall (see Fig. 3).

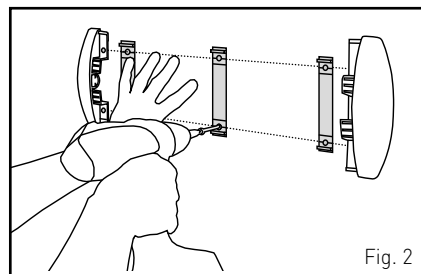


Fig. 2

Option 3: Fixing on IMPACT 60 and LINEA'PUNCH NEO aluminium rails

- Measure the length between each end piece or angle piece and then cut the rail using a mitre saw. Drill through the rail along the grooves, starting at 20 mm from the edge and then spacing the holes at no more than 750 mm apart. Place the rails over the centrelines on the wall and then mark each hole on the wall. Drill into the wall, fit the plugs and then fix the rails onto the wall (see Fig. 4).

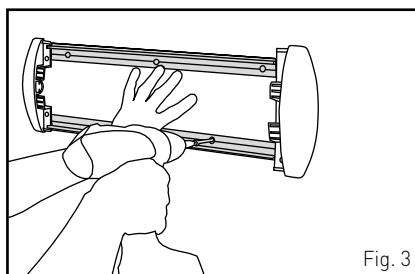


Fig. 3

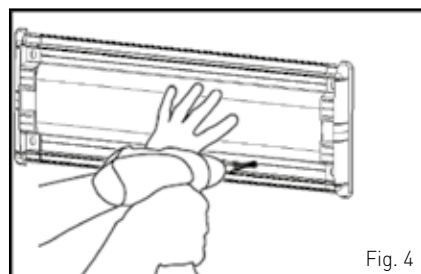


Fig. 4

Caution: the lengths of the aluminium rail and the PVC profile are not the same.

PROTECTION RAILS AND PLATES

INSTALLING IMPACT AND LINEA'PUNCH NEO

Irrespective of fixing options (brackets or rails):

- Measure the length from end piece to end piece, or from angle piece to angle piece, and then cut the PVC profile using a mitre saw. You are advised to use a template beneath the profile to ensure a straight cut and avoid deforming the profile.
- Clip the PVC profile onto the brackets or rails by striking it firmly. Use a mallet if necessary. Ensure that the PVC profile is correctly clipped on all the brackets or along the full length of the rail (see Fig. 5 and 6).
- The PVC profile is clipped onto the brackets or rail in four places. The two central zones allow the PVC profile to be gradually clipped in place, while enabling proper positioning and fitting with the end pieces. The outer clipping zones hold the profile firmly against the wall.
- Where the wall surface is uneven, you are advised to use fixing brackets at the start, middle and end of the uneven patch to force the profile to follow the wall's surface and thereby avoid excessively large clearances.
- Remove the protective film.

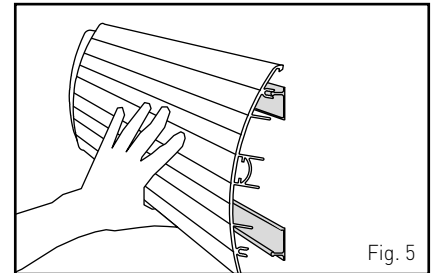


Fig. 5

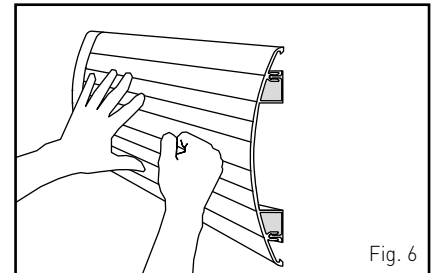
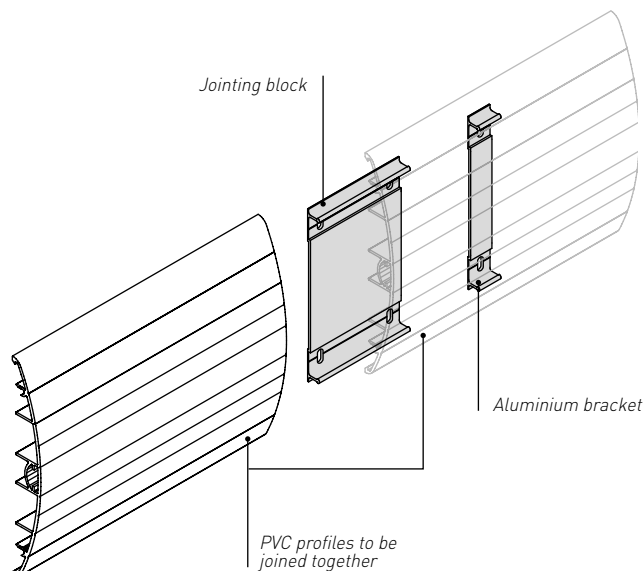


Fig. 6

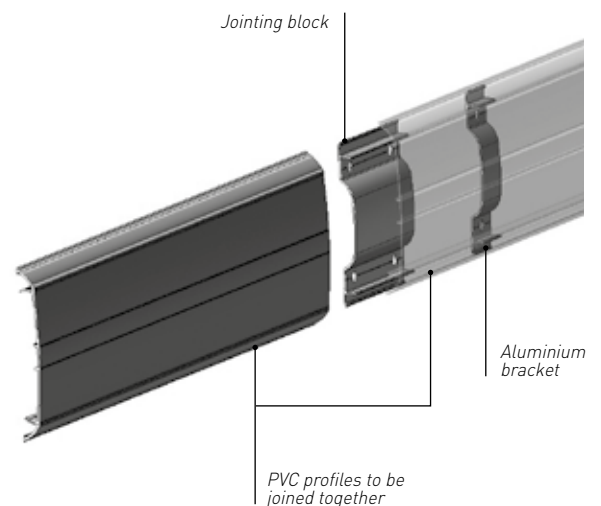
2.2 JOINING IMPACT AND LINEA'PUNCH NEO PROTECTION RAILS

- For wall runs over 4,000 mm long, PVC protection rails mounted on brackets may be joined together using a 100 mm long aluminium piece to provide a continuity and hold the protection rail in place.
- These pieces (not pre-drilled) are fixed to the wall at four mounting points.

IMPACT



LINEA'PUNCH NEO

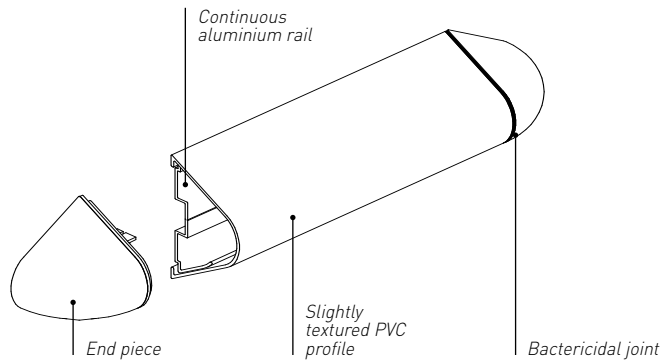


INSTALLING COMBO'PUNCH

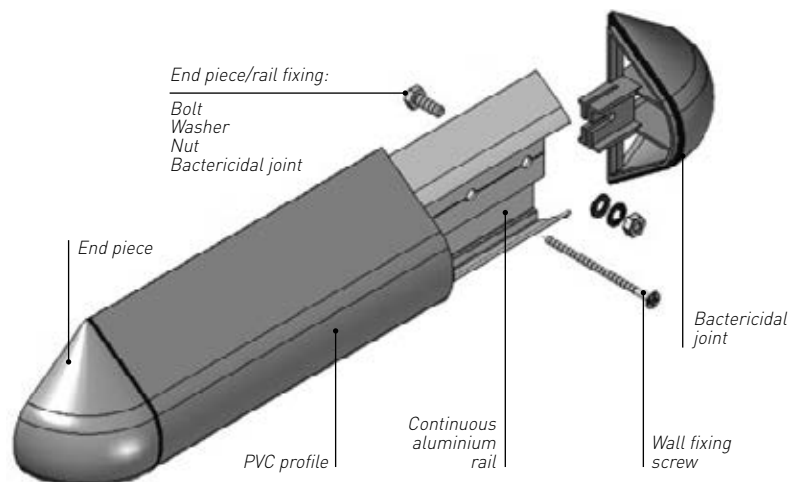
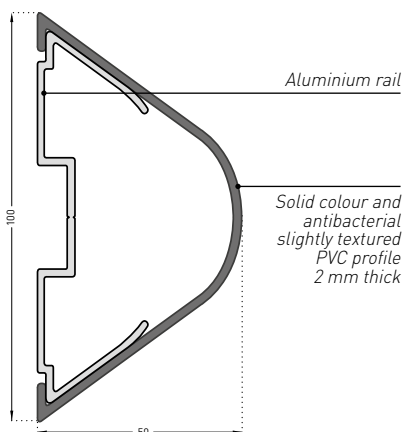
3. COMBO'PUNCH PROTECTION RAILS

3.1 INSTALLATION PROCEDURE FOR COMBO'PUNCH 100D PROTECTION RAILS

COMBO'PUNCH 100D



- Cut the aluminium rail to the required length, while leaving a 50 mm gap for each end piece and an extra gap of 25 mm so that the end pieces can be fitted and removed when placed next to a door frame or wall. For internal angles where the gap between end pieces is reduced due to their close proximity, the length of the rail must be reduced by 25 mm.
- Using a 6-mm drill bit, drill holes through the aluminium rail along the central V-groove, starting at 50 mm from each end and then spacing the holes at 500 mm. Using the same 6-mm drill bit, drill an extra hole at 10 mm from each end through the central V-groove for the end piece bolts (see diagram below).
- Use a laser level to position the aluminium rail against the wall at the required height and ensure that the central V-groove of the rail is aligned with the laser level. When defining the horizontal position, ensure that the end pieces are at least 25 mm from any obstructing walls (50 mm in case of an internal angle). Mark the hole positions on the wall. Drill with a suitable drill bit for the screws and plugs used (not supplied).
- Before fitting the end pieces, measure the length of the aluminium rail and add 7 mm to calculate the cutting length of the PVC profile. Ideally, any joints in the PVC profile should not coincide with joints in the aluminium rail. To ensure that protection rails are properly joined, avoid aligning joints in the PVC profiles with joints in the aluminium rails. You are advised to space out profile and rail joints by at least 300 mm to create a good continuity.
- Fit the end piece by placing the washer on the bolt, pushing the bolt through the back of the rail and then fixing the nut.
- Fix the rail to the wall using a screw at each end, but do not tighten. Check that all the holes in the rail are aligned with the holes in the wall while keeping the rail's centreline aligned with the laser level. Correct the position of the holes before fitting the end pieces.
- Cut the PVC profile to the calculated length and make sure that cuts are square and clean. Position the PVC profile on the aluminium rail to determine whether the length needs to be adjusted. Place the top edge of the PVC profile on the top edge of the aluminium rail. Starting at one end, push the bottom of the PVC profile downwards until it clips onto the aluminium rail. At approximately 300 mm from the other end, bend the end of the profile inwards in the direction of the other end piece to create a compressive force on the PVC profile against the two end pieces.
- If the required length is greater than 4 m, fit a complete profile section and then join the following profile sections while making sure that the ends are cut at right angles to create a tight joint. To finish installation, follow the procedure above for adjusting the last length. To make installation easier and ensure an aesthetic finish, the length of the PVC profile sections must be planned in advance so that the final length is not too short or close to the end pieces. Wherever possible, try to keep profiles the same length (e.g. for a length of 4.5 m, use a 2-m profile and a 2.5-m profile, instead of a 4-m profile and 0.5-m profile) while reducing the number of joints to a minimum.

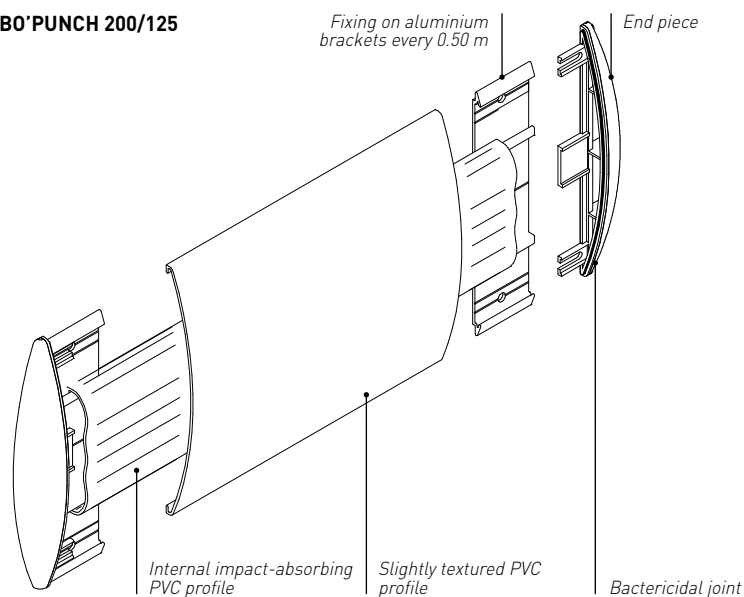


PROTECTION RAILS AND PLATES

INSTALLING COMBO'PUNCH

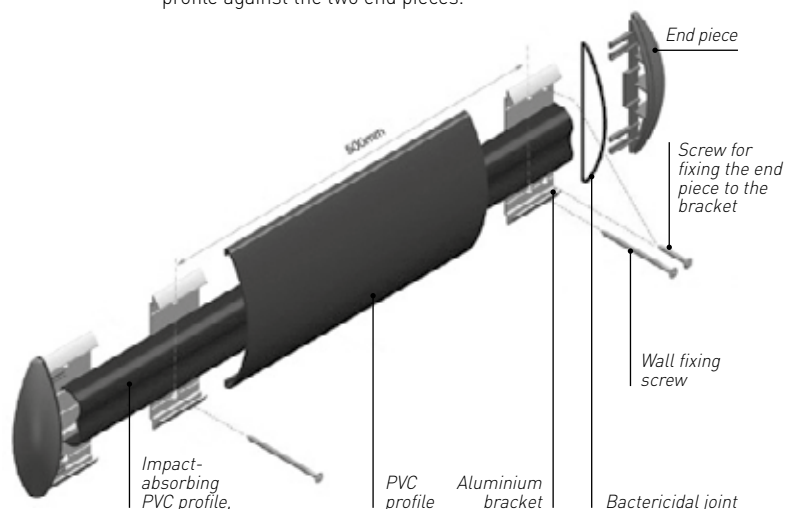
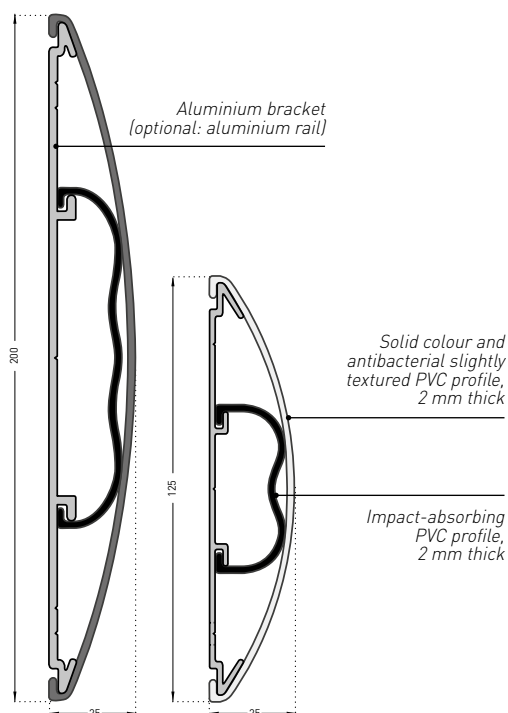
3.2 INSTALLATION PROCEDURE FOR COMBO'PUNCH 200/125 PROTECTION RAILS

COMBO'PUNCH 200/125

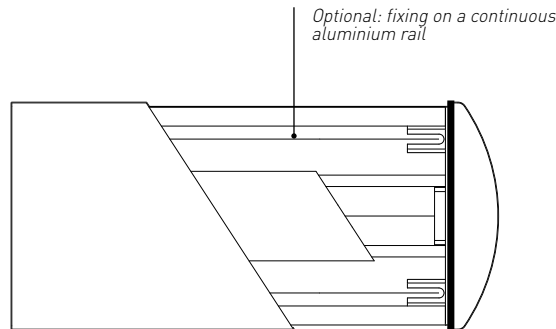


Option 1: Fixing on aluminium brackets

- Use a laser to position the pre-drilled aluminium brackets against the wall at the required height and ensure that the central V-groove of the brackets is aligned with the laser level. Leave a 25-mm gap for each end piece and an extra gap of 25 mm so that the end pieces can be fitted and removed when placed next to a door frame or wall. For internal angles, where closely positioned end pieces would reduce the clearance between them too much, the retainer length must be reduced by a further 15 mm.
- At the spot where one of the end pieces is going to be fitted, use a 6.0-mm drill bit to drill two holes in the bracket at 10 mm from each end using the bracket's upper and lower V-grooves. Place the brackets on the wall at intervals of approximately 500 mm and mark the hole positions on the wall. When placing the brackets, any joints in the protection rail profiles must be positioned in the middle of a bracket.
- Attach all the brackets using the upper hole, but do not permanently fix. Check that all the brackets are aligned with the laser level. Once properly aligned, fix the brackets securely.
- Measure the distance between the outer edges of the two end brackets and subtract 5 mm. This measurement corresponds to the length of the absorbing profile (M-shaped black PVC profile, see diagram below). Cut the absorbing profile to the measured length and adjust if necessary. Joints in the absorbing profile and PVC profile must be staggered so that they do not overlap the same edge of each bracket and clip in place.
- Before fitting the end pieces, measure the distance between the outer edges of the two end brackets and add 5 mm to the total to calculate the cutting length of the PVC profile.
- Place the end pieces on the brackets at both ends and fix using the screws provided (two for each end piece).
- Cut the PVC profile and make sure that cuts are square and clean. Place the PVC profile on the brackets to determine whether the length needs to be adjusted. Position the top edge of the PVC profile on the top edge of the brackets. Push the bottom of the PVC profile downwards until it clips onto the brackets. At approximately 300 mm from the other end, bend the end of the PVC profile inwards in the direction of the end piece to create a compressive force on the PVC profile against the two end pieces.

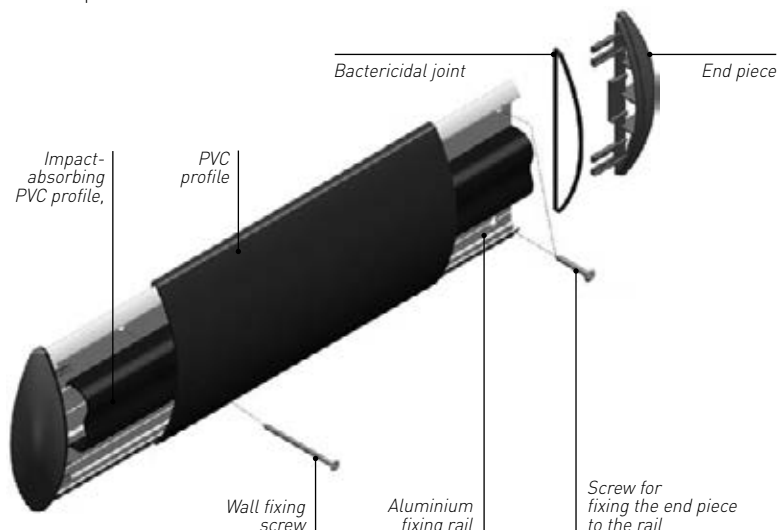


INSTALLING COMBO'PUNCH



Option 2: Fixing on aluminium rails

- Cut the aluminium rail to the required length, while leaving a 25 mm gap for each end piece and an extra gap of 25 mm so that the end pieces can be fitted and removed when placed next to a door frame or wall. In case of internal angles where the gap between end pieces is reduced due to their close proximity, the length of the rail must be reduced by 15 mm.
- Using a 6-mm drill bit, drill holes through the aluminium rail along the upper and lower V-grooves, starting at 10 mm from each end and then spacing the holes at 500 mm.
- Use a laser level to position the aluminium rail against the wall at the required height and ensure that the central V-groove of the rail is aligned with the laser level. When defining the horizontal position, ensure that the end pieces are at least 25 mm from any obstructing walls (15 mm more in case of an internal angle). Mark the hole positions on the wall. Drill with a suitable drill bit for the screws and plugs used (not supplied). Fix the aluminium rail.
- Measure the aluminium rail and subtract 5 mm. This measurement corresponds to the length of the absorbing profile (M-shaped black PVC profile, see diagram below). Cut the absorbing profile to the measured length and adjust if necessary. Joints in the absorbing profile and PVC profile must be spaced out. Align the top edge of the absorbing profile on the top inner edge of the rail and clip in place.
- Before fitting the end pieces, measure the distance between the outer edges of the two end brackets and add 5 mm to the total to calculate the cutting length of the PVC profile.
- Place the end pieces on the brackets at both ends and fix using the screws provided (two for each end piece).
- Cut the PVC profile to the calculated length and make sure that cuts are square and clean. Position the PVC profile on the aluminium rail to determine whether the length needs to be adjusted. Place the top edge of the profile on the top edge of the rail. Starting at one end, push the bottom of the PVC profile downwards until it clips onto the rail. At approximately 300 mm from the other end, bend the end of the profile inwards in the direction of the other end piece to create a compressive force on the PVC profile against the two end pieces.
- If the required length is greater than 4 m, fit a complete profile section and then join the following profile sections while making sure that the ends are cut at right angles to create a tight joint. To finish installation, follow the procedure above for adjusting the last length. To make installation easier and ensure an aesthetic finish, the length of the PVC profile sections must be planned in advance so that the final length is not too short or close to the end pieces. Wherever possible, try to keep profiles the same length (e.g. for a length of 4,5 m, use a 2-m profile and a 2,5-m profile, instead of a 4-m profile and 0,5-m profile) while reducing the number of joints to a minimum.



PROTECTION RAILS AND PLATES

INSTALLING COMBO'BEDKIT

4. COMBO'BEDKIT PROTECTION RAILS

4.1 INSTALLATION PROCEDURE FOR COMBO'BEDKIT PROTECTION RAILS

THREE FIXING OPTIONS:

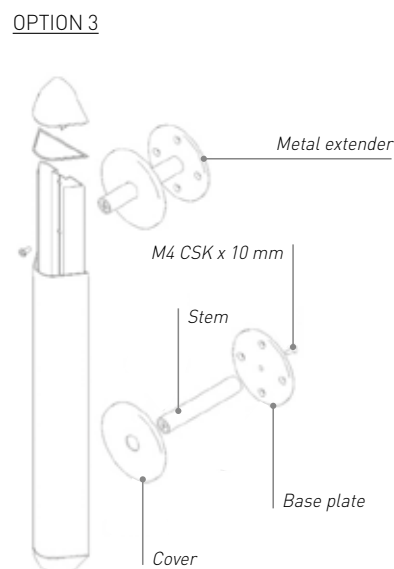
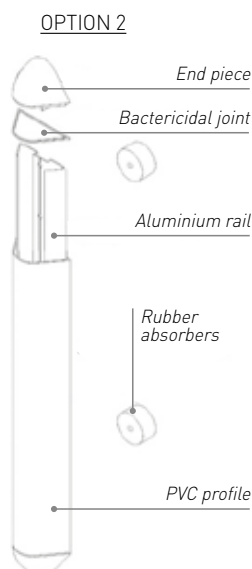
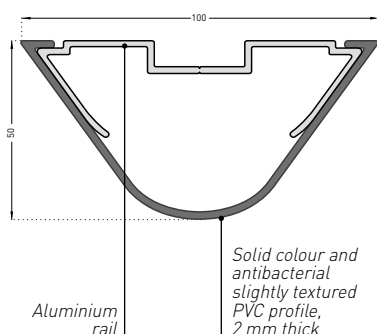
Directly on the wall (option 1)

On rubber absorbers (option 2)

On metal extenders (optional 3)

- Assembling the aluminium rail and end pieces: using a 6-mm drill bit, drill holes through the aluminium rail along the central V-groove at 10 mm from each end. Place the end pieces, with the mounted bactericidal joints, on the rail. Place the washer on the bolt, push the bolt through the rail and fix with the locking nut.
- Using a 6-mm drill bit, drill two holes for the fixing through the aluminium rail along the central V-groove at 100 mm from each end of the rail. These holes can be used for metal extenders, rubber absorbers and for fixing directly onto the wall.
- Use these two holes as a template for marking the holes required to install the protection rail. To fix the rail on metal extenders, use the fixing holes of the rail as the centre point for marking the four holes of the extender base plates. Use a base plate as a template and align the four holes horizontally and vertically with a laser level.

- For all the holes drilled into the wall, use appropriate plugs and/or fixings and make sure that there is at least 30 mm of thread in the plug available for the fixing screws (not supplied).
- Fixing options:
 - **OPTION 1** - Fix the aluminium rail and end pieces directly onto the wall using the appropriate screws.
 - **OPTION 2** - Place the rubber absorbers between the protection rail and wall, and fix the aluminium rail and end pieces onto the wall using the appropriate screws.
 - **OPTION 3** - Ensure that the metal extender stems have been fixed to the base plate with the 10-mm-long countersinking bolts supplied and tighten with a 4-mm Allen key. Fix the base plates to the wall using the appropriate screws and then clip the plastic cover over the base plate. Fix the aluminium rail and end pieces onto the metal extenders using the 10-mm long countersinking bolts supplied and tighten with a 4-mm Allen key.
- Check that the bactericidal joints are correctly positioned on the end pieces before installing the PVC profile on the rail. Press the PVC profile firmly against the rail until it clips into place.

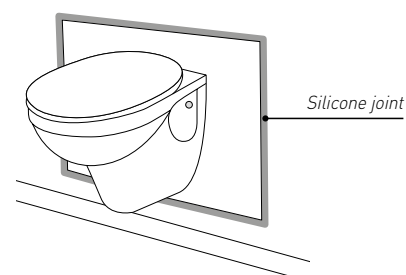


5. DECOBOWL PLATE

- The Decobowl plate consists of a pre-drilled PVC panel (straight or round shape), 2-mm thick. It is a solution of protection and reinforcement for wall hung toilet bowl to be fixed on a soft wallcovering.

5.1 INSTALLATION PROCEDURE FOR DECOBOWL PLATE

- Spread the glue over the surface to protect with SPM acrylic glue, *Please refer to section PANELS, Installing Decochoc, paragraph 4.3, page 20.*
- The watertightness of the periphery of the plate is realized with silicone joint.

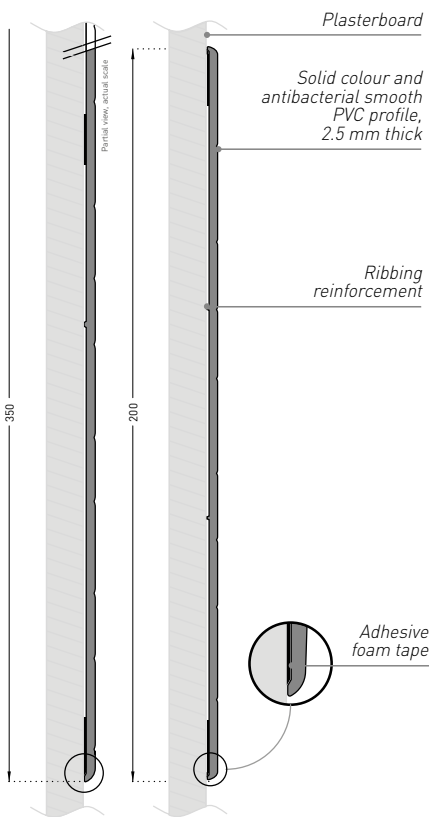


INSTALLING CONTACT AND COMBO'CLAD

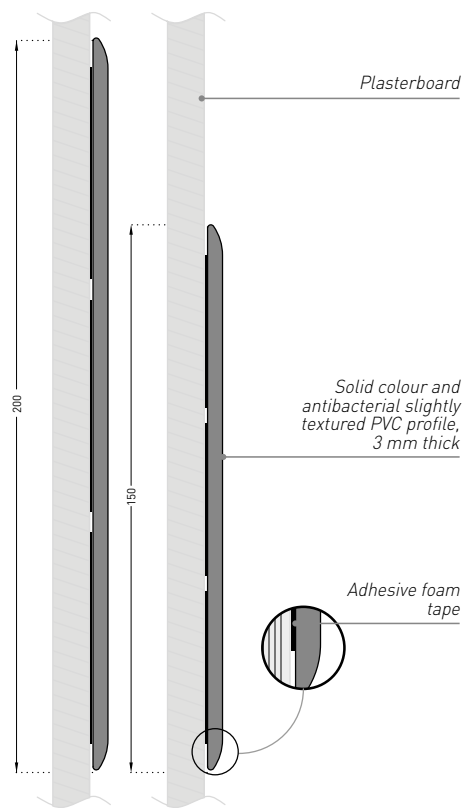
6. CONTACT AND COMBO'CLAD PROTECTION PLATES

- SPM CONTACT and COMBO'CLAD protection plates are wall protection solutions comprising a PVC profile (2.5 mm thick for CONTACT and 3 mm thick for COMBO'CLAD).
- These protections are fixed directly to the wall using SPM adhesive sealant.
- Adhesive foam tapes are laid along the edges (and in the centre for CONTACT 350 and COMBO'CLAD 200) to temporarily hold the protection plate in place while the sealant dries (tack time). The adhesive foam tapes are in no way designed to provide permanent support.

CONTACT

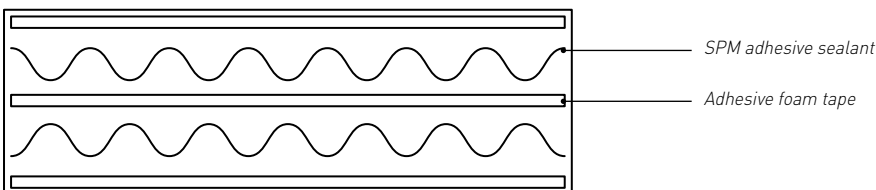


COMBO'CLAD



6.1 INSTALLATION PROCEDURE FOR CONTACT AND COMBO'CLAD PROTECTION PLATES

- Apply the SPM adhesive sealant to the surface of the PVC profile as shown in the diagram below:



- Mark the height of the protection on the wall using a spirit level and a pencil (or laser).
- Remove the protective film from the adhesive foam tapes.
- Place the protection plate against the wall and take care to follow the drawn lines (once positioned on the wall, the protection plate cannot be moved).
- Press down hard (with a roller) all across the outer surface of the PVC profile.
- Clean off any excess sealant with a rag and hot water.
- Remove the protective film from the plates.

PROTECTION RAILS AND PLATES

INSTALLING ELASTO'PUNCH

7. ELASTO'PUNCH PROTECTION RAILS

- Cut the protection rail to the required length. Use a circular saw or a wide-blade knife while constantly lubricating with water.
- Drill a hole in the profile at 100 mm from each end.

For Elasto'Punch 100D

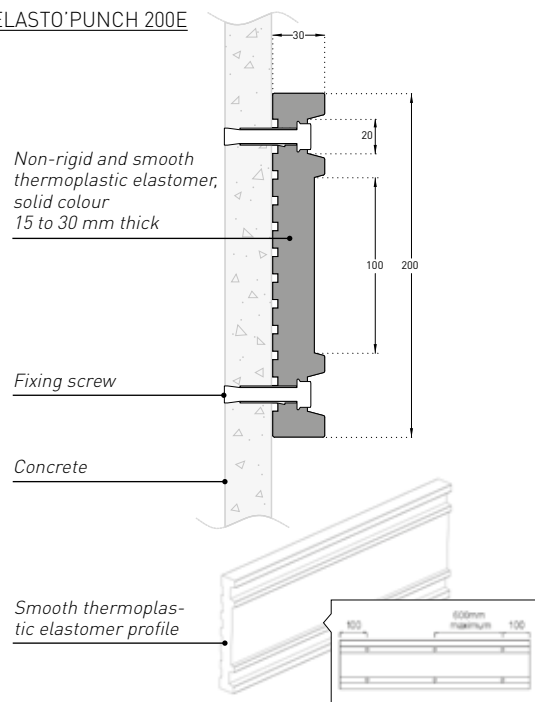
- 25-mm diameter for the screw-cover blanking plug and washer
- 10-mm diameter for the screw
- Repeat approximately every 300 mm

For Elasto'Punch 200E

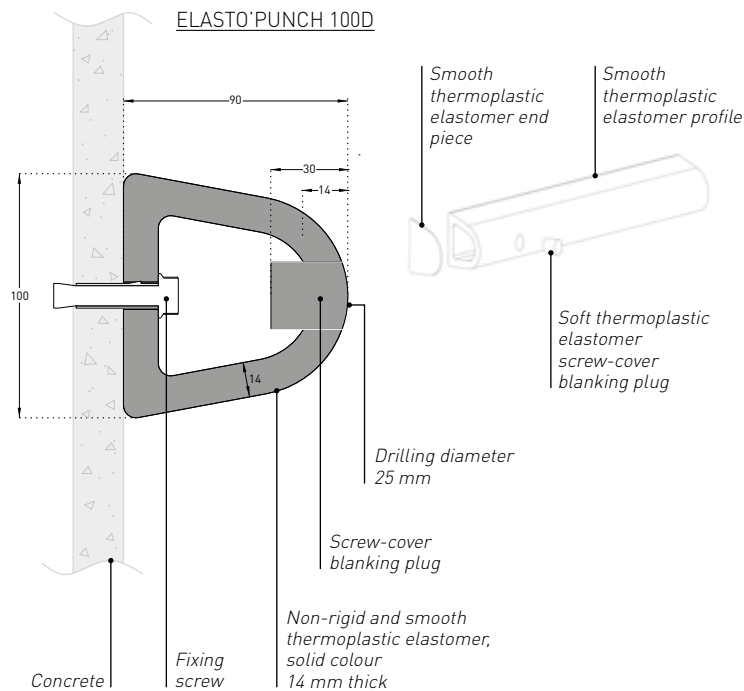
- 10-mm diameter for the screw. In each of the profile's grooves as shown in the diagram below
- Repeat approximately every 600 mm

- Mark the top edge of the protection rail from the floor (according to requirements)
- Use the protection rail as a template to mark and drill into the wall
- Choose the appropriate plug for the type of wall
- Fix to the wall using M7 socket screws with hexagonal or cylinder heads and fitted with a washer
- For Elasto'Punch 100D
 - Finish by gluing the end pieces and snapping in the screw-cover blanking plugs.

ELASTO'PUNCH 200E



ELASTO'PUNCH 100D



8. MAINTENANCE

- Do not leave products exposed to sunlight, that could lead to changes in colour and/or deform the product, due to excessive increases in temperature.
- It is essential to use solvents that do not leave any greasy or dry residue.
- The following products are recommended for cleaning:
 - Ammonia
 - Essence F cleaner
 - Ethanol
 - Standard cleaning products, such as Bioquell and Anios
 - Isopropyl alcohol
- Products **MUST NOT BE CLEANED** with a scouring pad, such as a Scotch-Brite pad.
- If using non-recommended products, test on an offcut. Reactions may differ depending on the colour of the product and the solvents used.

DO NOT USE:



- White spirit
- Acetone
- Petrol
- Paint thinners

spm-international.com

PANELS HANDRAILS PROTECTION RAILS CORNER PROTECTION

ASIA: Gerflor Asia

Tel: +86 21 6357 8818 - Fax: +86 21 6357 8998
e-mail: gerflorasiasia@gerflor.com

AUSTRALIA/NEW ZEALAND: Gerflor Australasia Pty. Ltd

Australia Tel: 1 800 060 785 - New Zealand Tel: 0 800 630 119
e-mail: gerflor@gerflor.com.au

AUSTRIA/SWITZERLAND: Webamed-Spm GmbH

Tel: +49 2351 954550 - Fax: +49 2351 954580
e-mail: info@webamed-spm.de - webamed-spm.de

BELGIUM/LUXEMBURG: Gerflor Benelux

Tel: +32 (0)3 766 42 82 - Fax: +32 (0)3 766 29 14
e-mail: gerflorbel@gerflor.com

CANADA: Gerflor International

Tel: +1 438 333 0752 - Fax: +1 438 380 5425
e-mail: gerflorcanada@gerflor.com

CHINA: Gerflor floorings (China) Co. Ltd.

Tel: +86 21 6357 8818 - Fax: +86 21 6357 8998
e-mail: gerflorchina@gerflor.com

FINLAND: Gerflor Oy

Tel: +358 (0) 10 6 17 5150 - Fax: +358 (0) 10 617 5152
e-mail: info@gerflor.fi

FRANCE: SPM International

Tel: +33 (0)5 34 39 41 00 - Fax: +33 (0)5 34 39 40 10
e-mail: export@spm.fr

GERMANY: Webamed-Spm GmbH

Tel: +49 2351 954550 - Fax: +49 2351 954580
e-mail: info@webamed-spm.de - webamed-spm.de

ITALY: Gerflor S.p.A.

Tel: +39 02 90 40 10 - Fax: +39 02 90 42 74 84
e-mail: gerfloritalia@gerflor.com

LATIN AMERICA (Brazil): Gerflor América Latina

Tel: +55 11 38 48 20 20
e-mail: gerflor@gerflor.com.br

MIDDLE EAST: Gerflor Middle East

Tel: +966 13 847 1779 - Fax: +966 13 847 1781
e-mail: info@gerflorme.com

NETHERLANDS: Gerflor Benelux

Tel: +31 (0)40 266 17 00 - Fax: +31 (0)40 257 46 89
e-mail: gerflornl@gerflor.com

OTHER COUNTRIES: SPM International

Tel: +33 (0)5 34 39 41 00 - Fax: +33 (0)5 34 39 40 10
e-mail: export@spm.fr

POLAND: Gerflor Polska Sp z o.o

Tel: +48 61 823 34 01 - Fax: +48 61 823 34 33
e-mail: info@gerflor.pl

PORTUGAL: Gerflor Iberia, SA

Tel: +351 21 843 95 49 - Fax: +351 21 846 55 44
e-mail: gerflorportugal@gerflor.com

RUSSIA: Gerflor zao

Tel./Fax: +7 495 785 23 71
e-mail: gerflorrussia@gerflor.ru

SCANDINAVIA: Gerflor Scandinavia a.s.

Tel: +47 64 95 60 70 - Fax: +47 64 95 60 80
e-mail: gerflorscand@gerflor.no

SPAIN: Gerflor Iberia, SA

Tel: +34 91 653 50 11 - Fax: +34 91 653 25 85
e-mail: gerfloriberia@gerflor.com

USA: Gerflor North America

Tel: 877 GERFLOR (437 3567) - Fax: 847 394 3753
e-mail: info@gerflorusa.com



Committed to sustainable development

A company of **Gerflor**

Spm[®]
wall protection